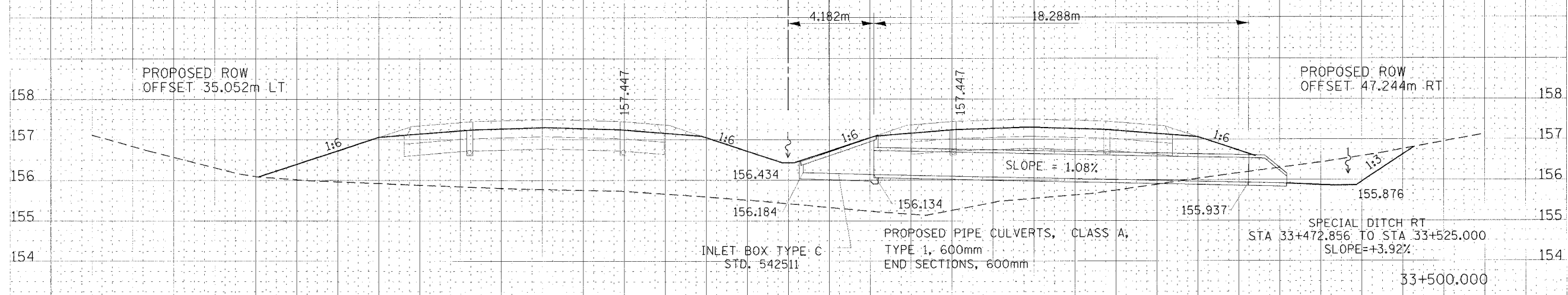
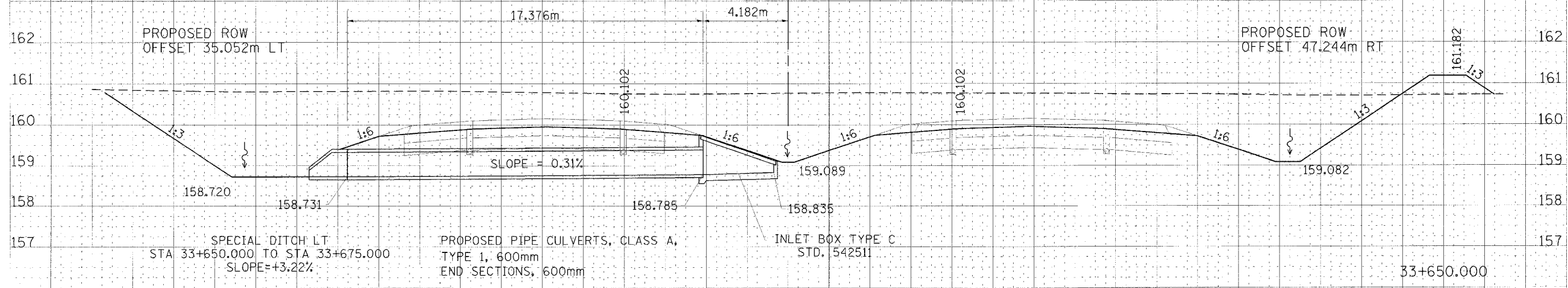


36 34 32 30 28 26 24 22 20 18 16 14 12 10 8 6 4 2 0 2 4 6 8 10 12 14 16 18 20 22 24 26

F.A.P. RTE.	SECTION	COUNTY	TOTAL SHEETS	SHEET NO.
310		MADISON	452	199
STA. 33+500.000		TO STA. 33+650.000		
FED. ROAD DIST. NO.		ILLINOIS FED. AID PROJECT		
		SECTION 60-14		
		SECTION 60-14-1B		



36 34 32 30 28 26 24 22 20 18 16 14 12 10 8 6 4 2 0 2 4 6 8 10 12 14 16 18 20 22 24 26

CULVERT PROFILE, FAP ROUTE 310, STA 33+500.000 TO 33+650.000

DATE	
BY	
CHECKED	
DESIGNED	
APPROVED	
PROJECT NO.	
DATE	
SCALE	
PROJECT	
SECTION	
SHEET	

DATE	
BY	
CHECKED	
DESIGNED	
APPROVED	
PROJECT NO.	
DATE	
SCALE	
PROJECT	
SECTION	
SHEET	

11/10/05 8:00 AM, 11/10/05 8:00 AM, 11/10/05 8:00 AM, 11/10/05 8:00 AM