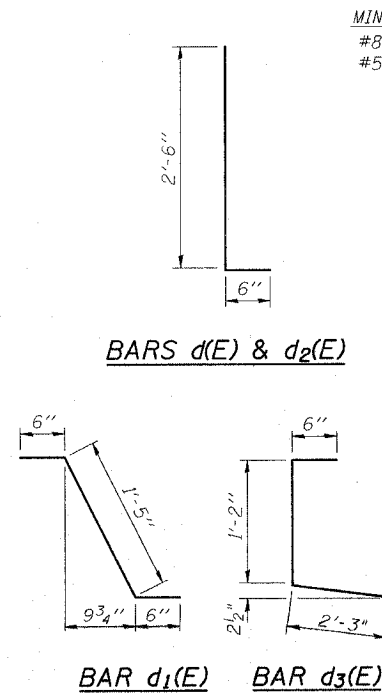
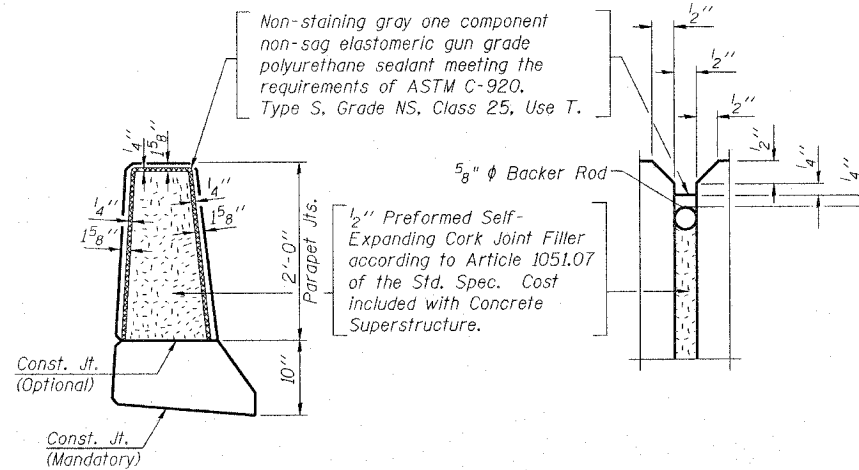
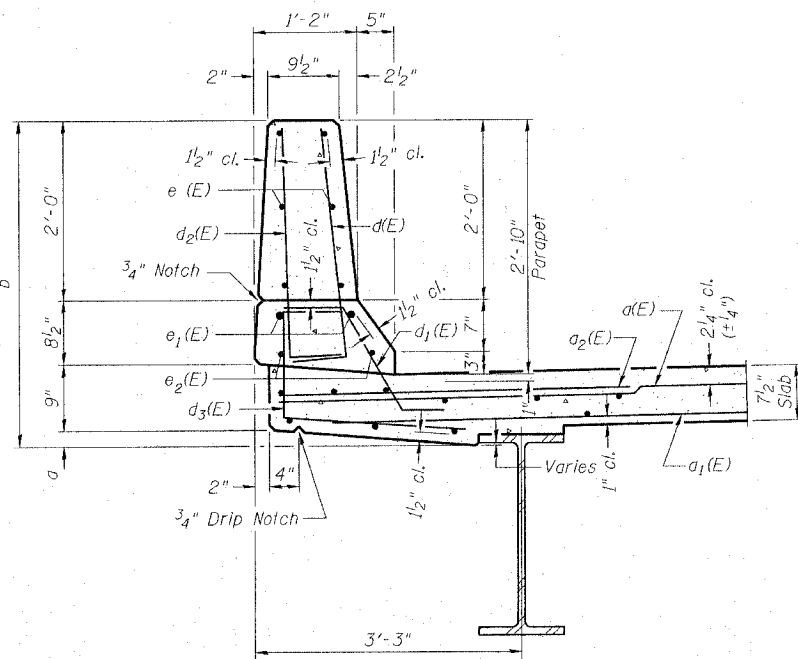
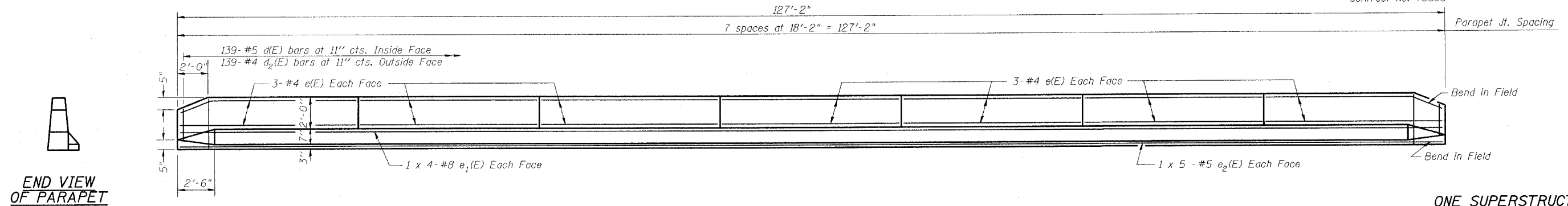


STATE OF ILLINOIS
DEPARTMENT OF TRANSPORTATION

F.A.P. ROUTE	SECTION	COUNTY	TOTAL SHEETS	SHEET NO.	SHEET NO. 10 24 SHEETS
FAP 805	147BR	ST. CLAIR	52	30	
FED. ROAD DIST. NO. 1	ILL. PROJ. NO.	FED. AID PROJECT NO.			

Contract No. 76393



MIN. BAR LAP
#8 - 4'-6"
#5 - 2'-2"

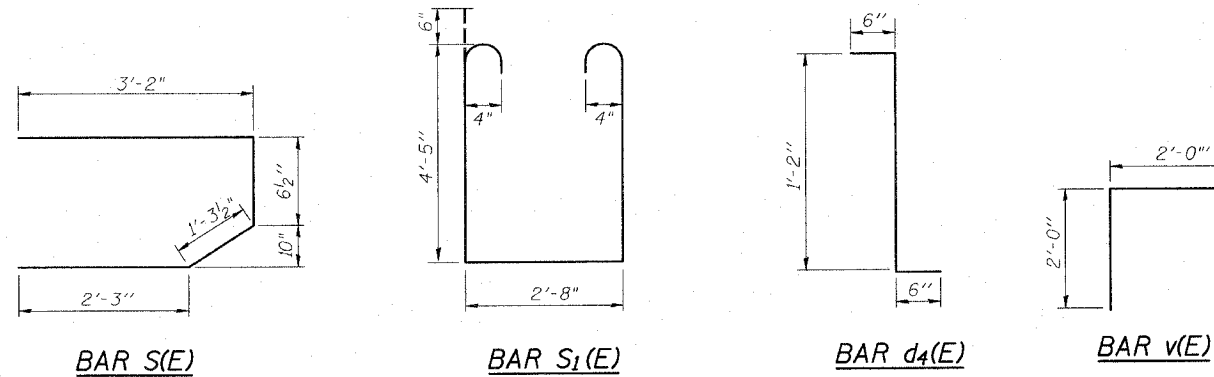
ONE SUPERSTRUCTURE
BILL OF MATERIAL

Bar	No.	Size	Length	Shape
a(E)	252	#5	42'-10"	—
a1(E)	178	#5	41'-2"	—
a2(E)	252	#6	4'-6"	—
a3(E)	4	#6	48'-2"	—
b(E)	230	#5	26'-9"	—
b1(E)	164	#5	33'-0"	—
d(E)	278	#5	3'-0"	┌
d1(E)	266	#5	2'-5"	┌
d2(E)	278	#4	3'-0"	┌
d3(E)	278	#4	3'-11"	┌
d4(E)	12	#5	2'-2"	┌
e(E)	84	#4	17'-11"	—
e1(E)	16	#8	35'-1"	—
e2(E)	20	#5	27'-2"	—
m(E)	4	#6	47'-9"	—
m1(E)	6	#6	49'-6"	—
m2(E)	24	#6	10'-6"	—
m3(E)	10	#6	8'-0"	—
m4(E)	4	#6	3'-5"	—
s(E)	92	#5	7'-3"	┌
s1(E)	82	#4	12'-4"	┌
v(E)	84	#5	4'-0"	┌
Reinforcement Bars, Epoxy Coated		Found	41850	
Concrete Superstructure		Cu. Yds.	205.4	

Reinforcement bars designated (E) shall be epoxy coated.
Bars indicated thus 1 x 5-#5 etc. indicates 1 line of bars with 5 lengths per line.

PARAPET DIMENSIONS

Location	a	b
Girder 1	3' 5/8"	3'-9 1/8"
Girder 6	3' 5/8"	3'-9 1/8"
Girder 7	2' 1/2"	3'-8"
Girder 12	2' 1/2"	3'-8"



FILE LOCATION: \$FILE\$ DATE: \$DATE\$ TIME: \$TIME\$ PLOTTED BY: \$USER\$

THOUVENOT, WADE & MOERCHEN, INC.



DESIGNED	-	ALN
CHECKED	-	BWP
DRAWN	-	JMI, DEH
CHECKED	-	ALN

ILLINOIS ROUTE 161 OVER
TRIBUTARY TO SCHOENBERGER CREEK
F.A.P. ROUTE 805 - SECTION 147BR
ST. CLAIR COUNTY
STATION 101+03.82
STRUCTURE NO. 082-0102 (N.B.)
STRUCTURE NO. 082-0103 (S.B.)

SUPERSTRUCTURE DETAILS