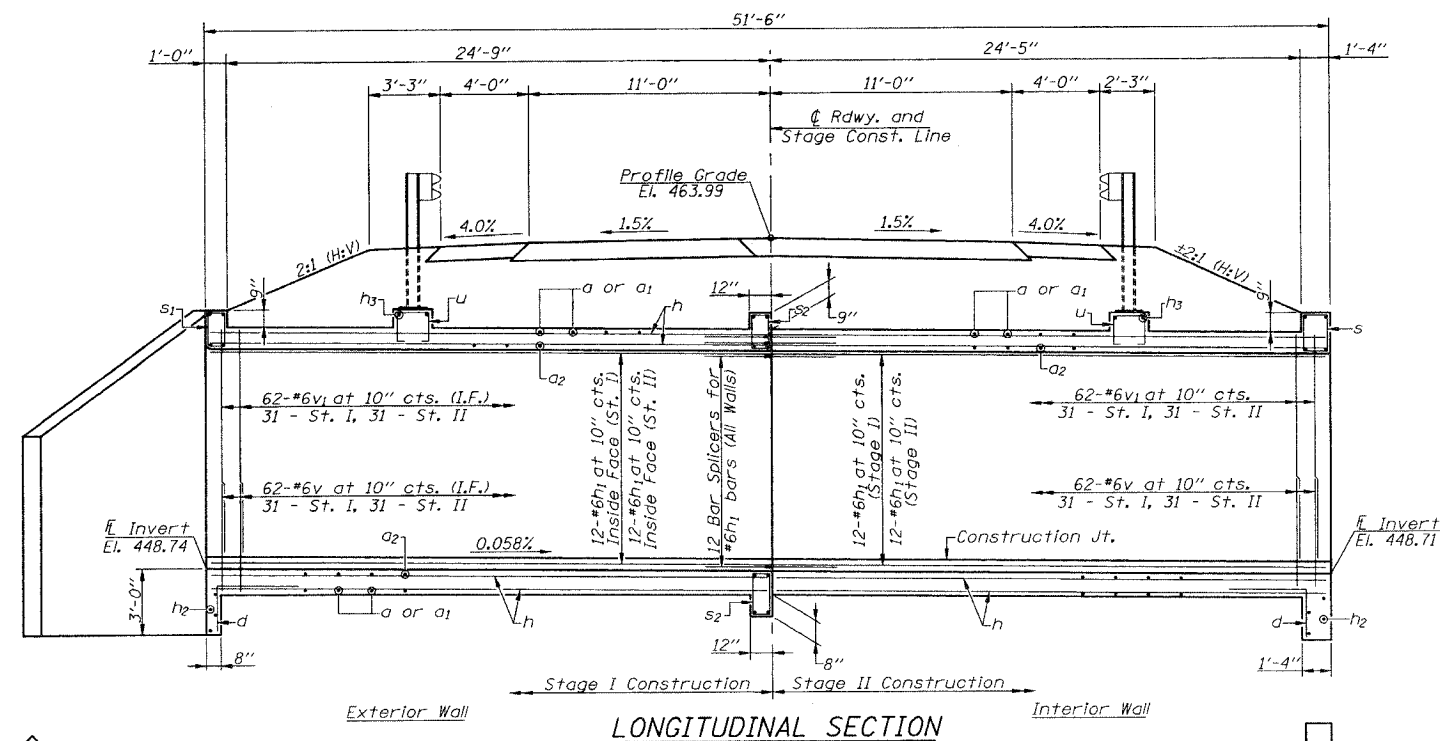
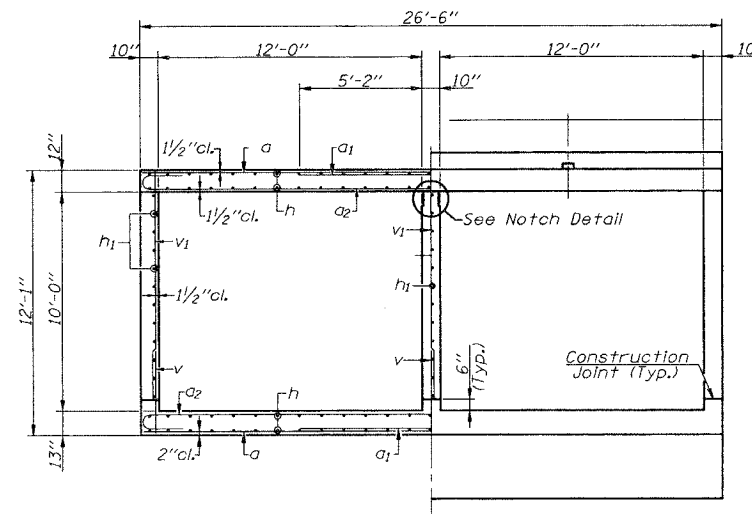


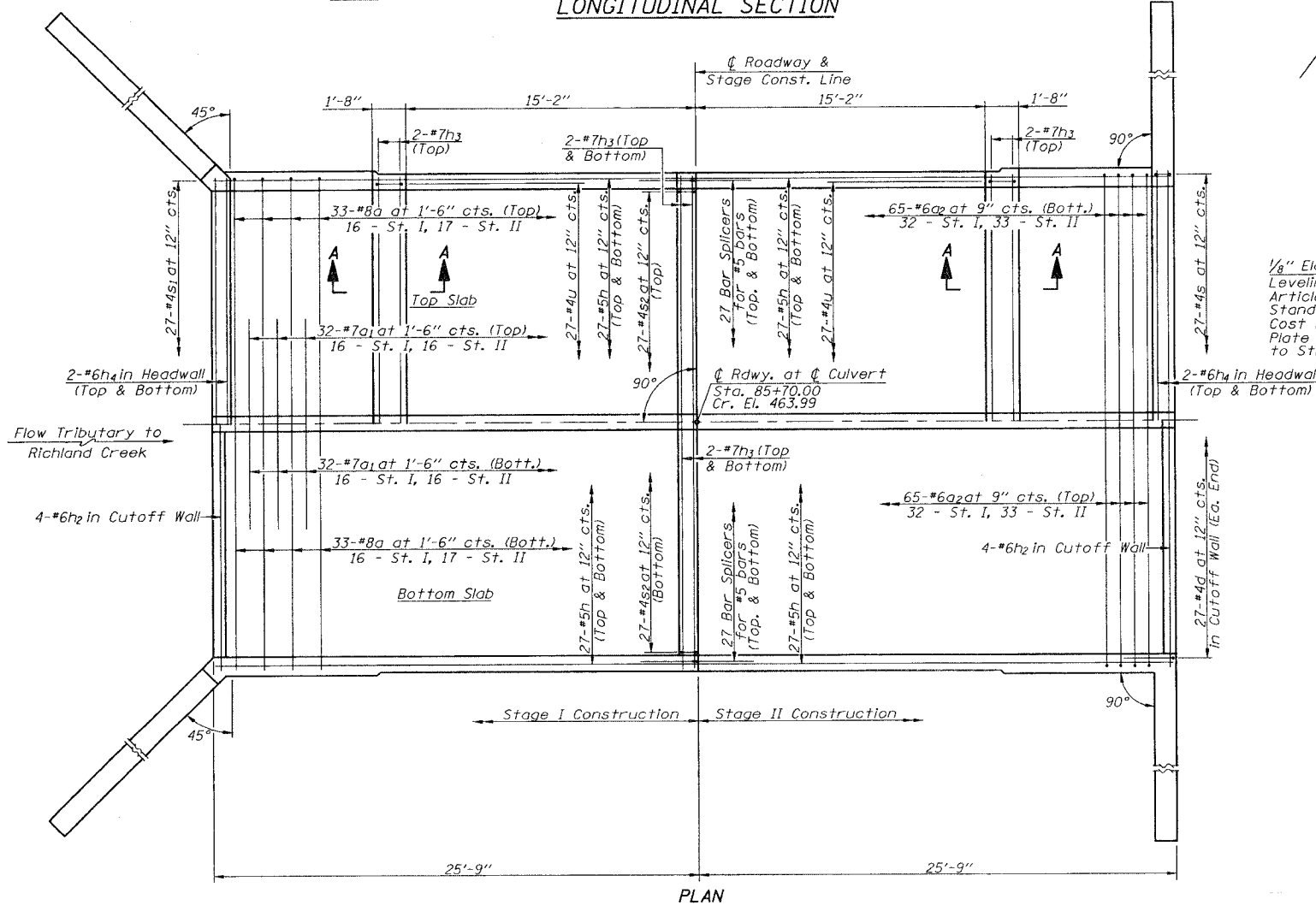
CONTRACT NO. 76411



LONGITUDINAL SECTION

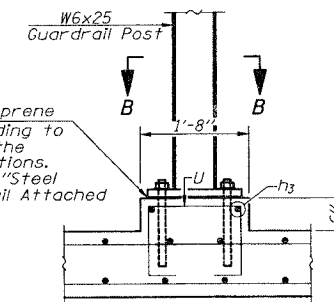


ELEVATION

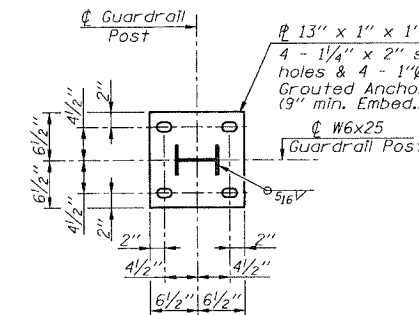


PLAN

1/8" Elastomeric Neoprene Leveling Pad according to Article 1052.02 of the Standard Specifications. Cost included with "Steel Plate Beam Guardrail Attached to Structures"

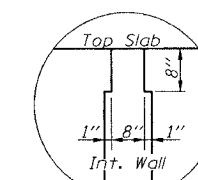


SECTION A-A



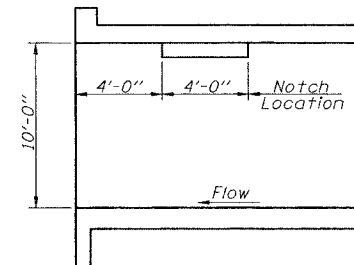
SECTION B-B

The contractor shall use the capsule or the adhesive cartridge type anchor rods that have been previously tested and given a prior approval by the Department. The contractor shall install these anchor rods in pre-drilled holes according to the manufacturer's recommendations and procedures. The capsule or adhesive cartridge shall be sealed with pre-measured amounts of the adhesive chemical.

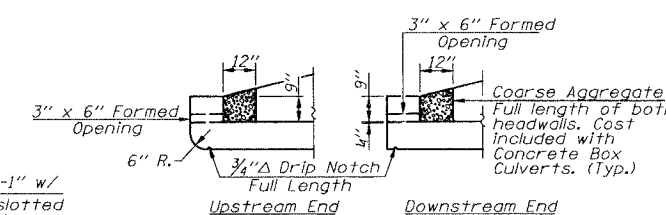


NOTCH DETAIL

Notch formed by rough finished board attached to and removed with the formwork. Do not chamfer.



LONGITUDINAL SECTION
(Downstream End Only)



DRAIN DETAIL

Work this Sheet with Sheet Nos. 5 & 6 of 9.
A distance of half the length of the wingwall but not less than six feet of the barrel shall be poured monolithically with the wingwalls.

CULVERT DETAILS
F.A.P. ROUTE 103 (OLD IL. ROUTE 13)
OVER TRIBUTARY TO RICHLAND CREEK
SECTION 27-3BR
ST. CLAIR COUNTY
STA. 85+70.00
S.N. 082-2042