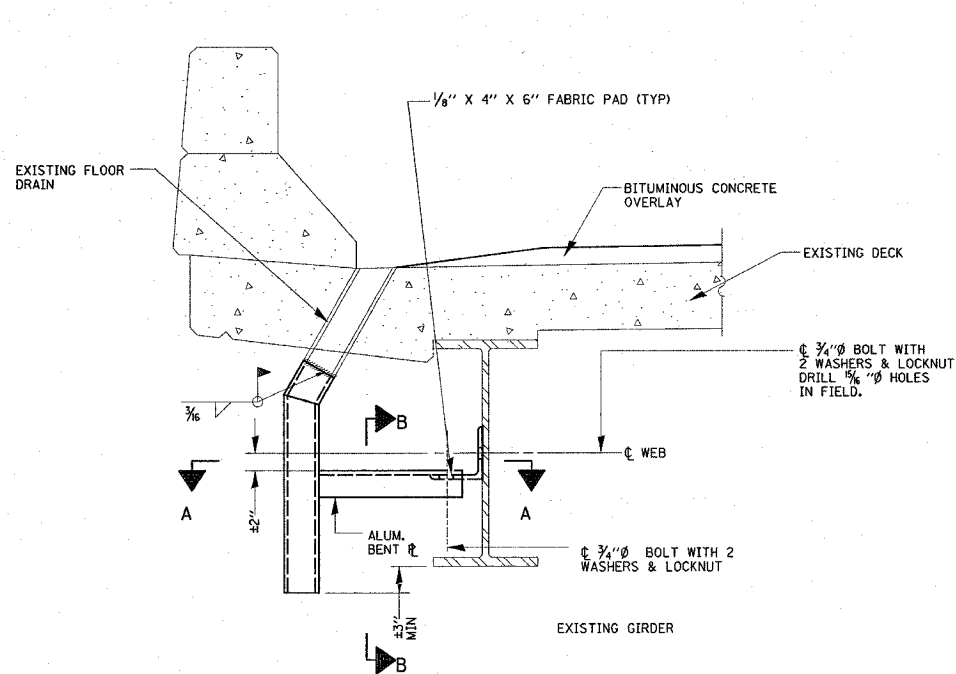
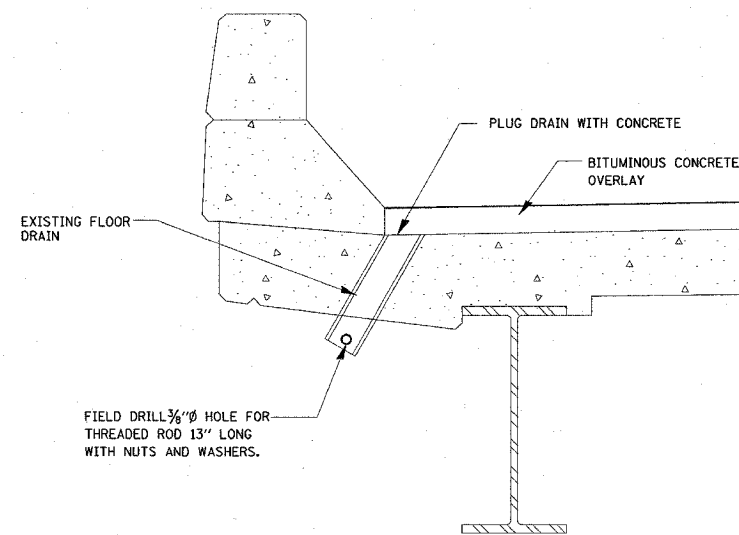


F.A. RTE.	SECTION	COUNTY	TOTAL SHEETS	SHEET NO.
•	••	ST. CLAIR	15	13
STA. TO STA.				
FED. ROAD DIST. NO.		ILLINOIS FED. AID PROJECT		

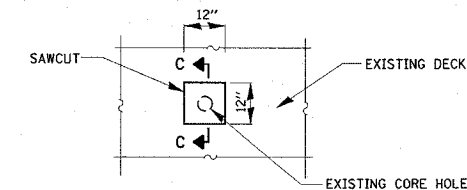
• FAP 582/FAU 9237
 •• 82-3HB-11, 82-3VB-11



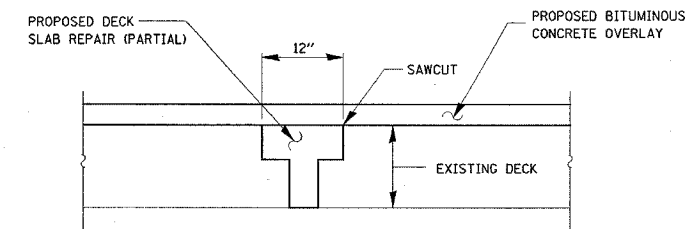
SECTION AT DRAIN (CURB AND MEDIAN)



DRAIN ELIMINATION DETAIL



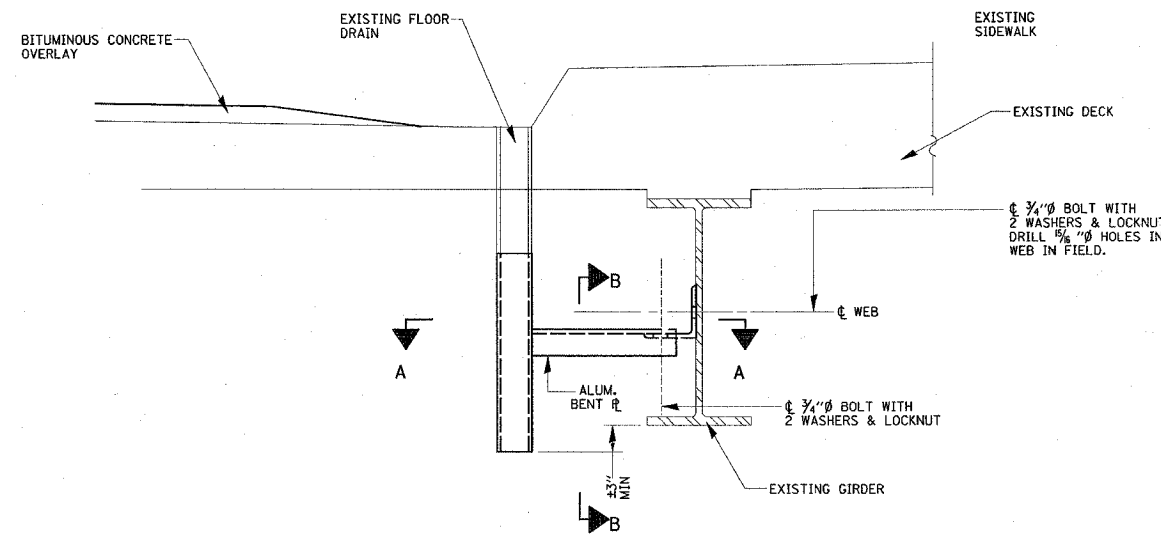
PLAN VIEW HOLE PATCH



SECTION C-C

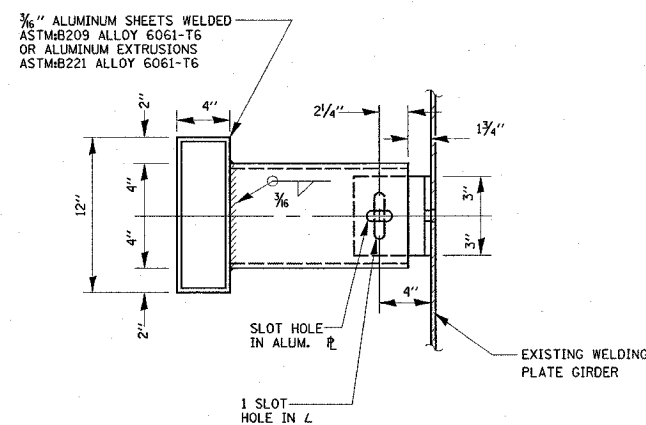
NOTES:

1. THE CORE HOLES SHALL BE PATCHED AS DESCRIBED IN THIS DETAIL.
2. THE CORE HOLES SHALL BE REPAIRED TO THE BOTTOM OF THE DECK ACCORDING TO THE SPECIFICATIONS FOR DECK SLAB REPAIR (PARTIAL).

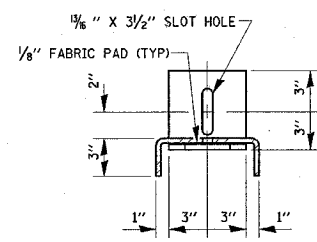


SECTION AT DRAIN (SIDEWALK)

CORE HOLE LOCATION FROM CENTERLINE	
S.N. 082-0207	
STA.	
125+13	28' LT
125+17	34' RT
125+57	16' LT
125+73	14' RT
125+87	36' LT
S.N. 082-0166	
STA.	
190+82	35' RT
190+93	13' LT
191+84	5' RT
191+88	5' LT
192+13	12' RT
193+04	36' RT



SECTION A-A



SECTION B-B

STRUCTURE	FLOOR DRAIN EXTENSIONS	PLUG EXISTING DECK DRAIN
082-0166	28	32
082-0207	15	18
TOTAL	43	48

SEE: SHEET 9 AND 10 FOR LOCATION

REVISIONS		ILLINOIS DEPARTMENT OF TRANSPORTATION MISC. DETAIL
NAME	DATE	
		FAP 582/FAU 9237 (IL ROUTE 111) SECTION 82-3HB-11, 82-3VB-11 ST. CLAIR COUNTY SCALE: VERT. _____ HORIZ. _____ DATE _____ DRAWN BY _____ CHECKED BY _____

DATE = DATE
 NAME = NAME
 FILE NAME = FILE NAME
 PLOT SCALE = PLOT SCALE
 REFERENCE = REFERENCE