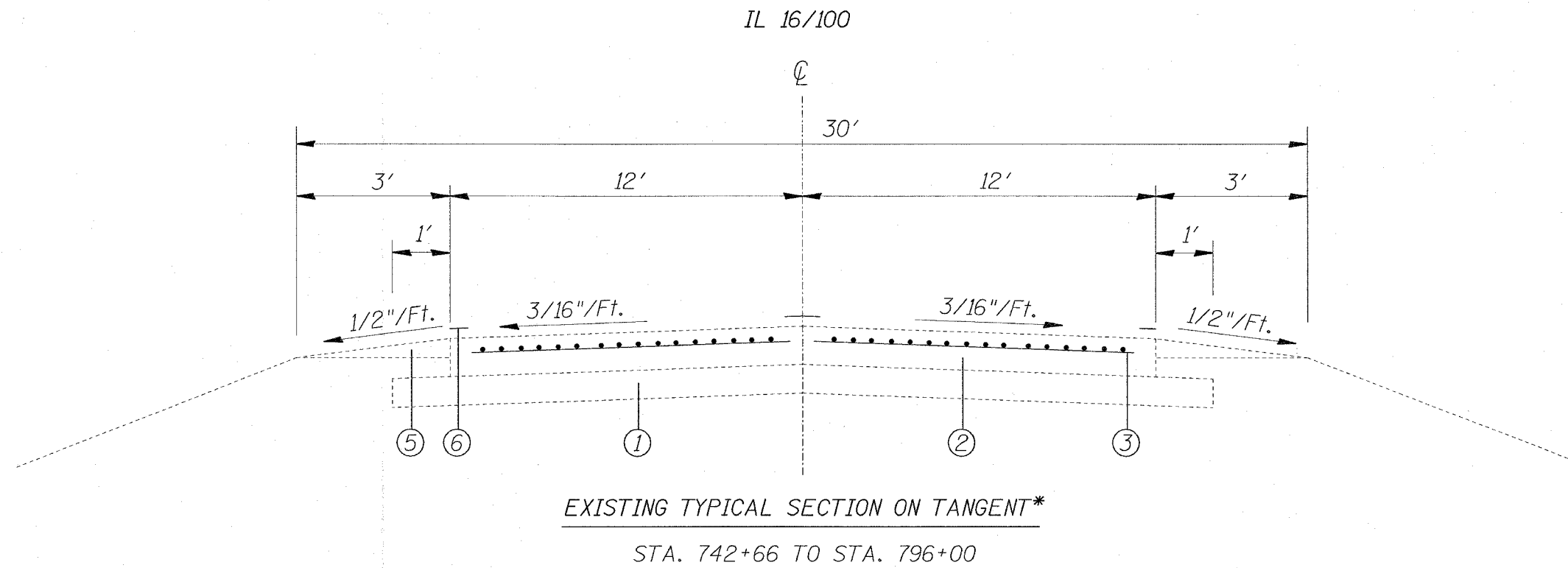
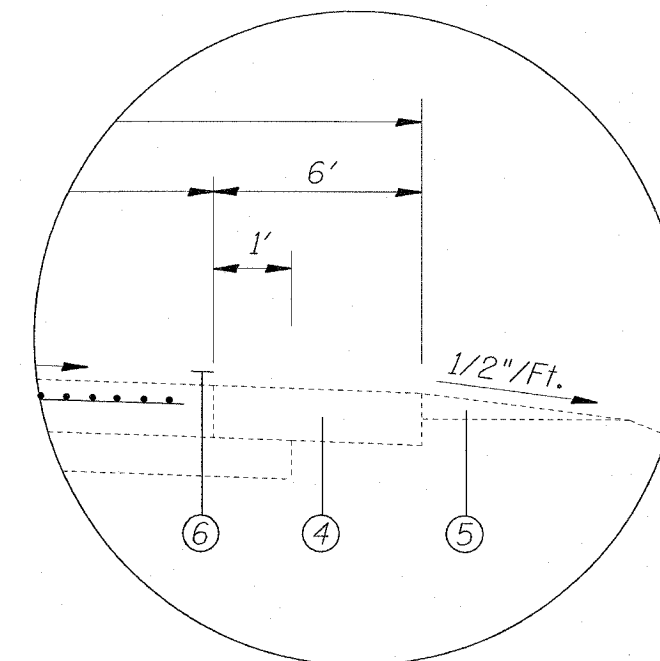


FAP ROUTE	SECTION	COUNTY	TOTAL SHEETS	SHEET NO
304	6RS-2	JERSEY	12	4
STA.	TO STA.			
CONTRACT NUMBER:		76942		



SEE DETAIL A FOR EXISTING SHOULDER TREATMENT
AT THE FOLLOWING STATIONS

- STA. 754+29.1 RT TO STA. 759+63.6 RT
- STA. 754+97.0 LT TO STA. 758+96.6 LT
- STA. 779+56.80 RT TO STA. 786+46.9 RT
- STA. 780+13.37 LT TO STA. 785+13.31 LT



- ① EXISTING SUB-BASE GRANULAR MATERIAL TYPE A, 6"
- ② EXISTING PCC PAVEMENT 10"
- ③ EXISTING PAVEMENT FABRIC
- ④ EXISTING BITUMINOUS SHOULDER 9"
- ⑤ EXISTING AGGREGATE WEDGE
- ⑥ EXISTING PAVEMENT MARKING
- ⑦ PROPOSED BITUMINOUS MATERIAL PRIME COAT
- ⑧ PROPOSED AGGREGATE PRIME COAT
- ⑨ PROPOSED BITUMINOUS CONCRETE BINDER COURSE SUPERPAVE, IL-19.0 N70, 3.5"
- ⑩ PROPOSED LEVEL BINDER (MACHINE METHOD) SUPERPAVE, N70, 1"
- ⑪ PROPOSED BITUMINOUS CONCRETE SURFACE COURSE SUPERPAVE, MIX "C", N70, 1 1/2"
- ⑫ PROPOSED AGGREGATE SHOULDERS, TYPE B
- ⑬ PROPOSED THERMOPLASTIC PAVEMENT MARKINGS
- ⑭ PROPOSED BITUMINOUS SHOULDERS, SUPERPAVE

PLOT DATE = 9/19/2005
 FILE NAME = C:\p\proj\11111111\11111111.dgn
 PLOT SCALE = 50.0000 / IN.
 REFERENCE = #REF#

REVISIONS	
NAME	DATE

ILLINOIS DEPARTMENT OF TRANSPORTATION
EXISTING TYPICAL SECTIONS
 FAP ROUTE 304 (IL 16/IL 100)
 SECTION 6RS-2
 JERSEY COUNTY

SCALE: VERT.
HORIZ.
DATE

DRAWN BY
CHECKED BY