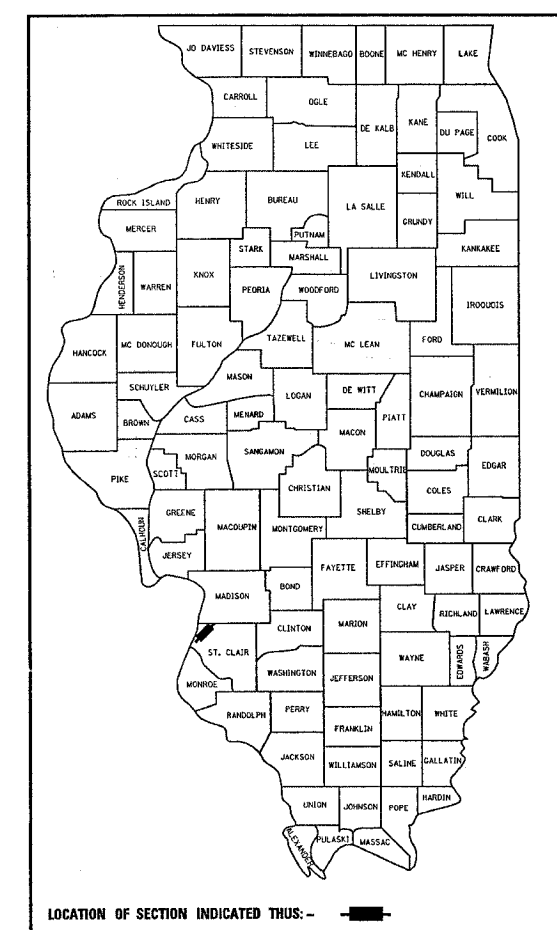


76A14

FAP ROUTE	SECTION	COUNTY	TOTAL SHEETS	SHEET NO.
*	**	ST. CLAIR	7	1

• FAU 9186  
 •• DIST 8 DEEP WELLS 2006-2

D-98-054-06



STATE OF ILLINOIS  
 DEPARTMENT OF TRANSPORTATION  
 DIVISION OF HIGHWAYS

**PROPOSED  
 HIGHWAY PLANS**

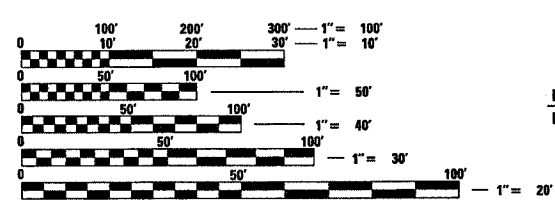
**F.A.U. ROUTE 9186 (MISSOURI AVE. PUMP STATION)  
 SECTION DIST 8 DEEP WELLS 2006-2  
 ST. CLAIR COUNTY  
 DEEP WELL INSTALLATION**

C-98-042-06

FOR INDEX OF SHEETS, SEE SHEET NO. 2

PROJECT ENGINEER: WENDA SOUTHERLAND (618) 346-3159  
 SQUAD LEADER: GREG HANCOCK (618) 346-3195

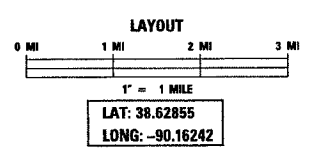
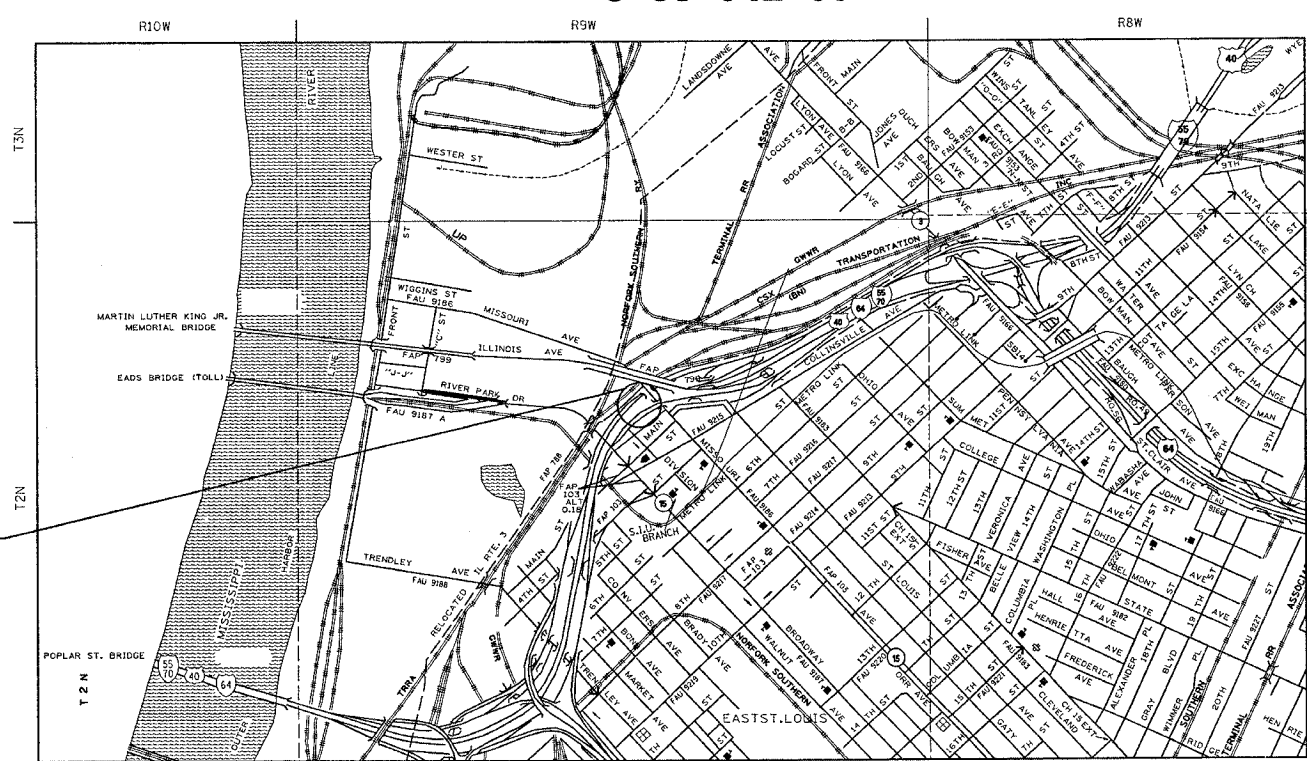
MICROFILMED \_\_\_\_\_  
 REEL NUMBER \_\_\_\_\_  
 AWARDED \_\_\_\_\_  
 RESIDENT ENGINEER \_\_\_\_\_  
 AS BUILT CHANGES WERE MADE  
 ON THE FOLLOWING SHEETS



FULL SIZE PLANS HAVE BEEN PREPARED USING STANDARD  
 ENGINEERING SCALES. REDUCED SIZED PLANS WILL NOT  
 CONFORM TO STANDARD SCALES. IN MAKING MEASUREMENTS  
 ON REDUCED PLANS, THE ABOVE SCALES MAY BE USED.

J.U.L.I.E.  
 JOINT UTILITY LOCATION INFORMATION FOR EXCAVATION  
 1-800-892-0123

CONTRACT NO. 76A14



STATE OF ILLINOIS  
 DEPARTMENT OF TRANSPORTATION  
 DIVISION OF HIGHWAYS

SUBMITTED March 30, 2006  
Mary C. Jamie DEPUTY DIRECTOR OF HIGHWAYS  
 REGION FIVE ENGINEER

May 12, 2006  
Mike Stone ENGINEER OF DESIGN AND ENVIRONMENT

May 12, 2006  
Milton L. Sees, P.E. DIRECTOR, DIVISION OF HIGHWAYS

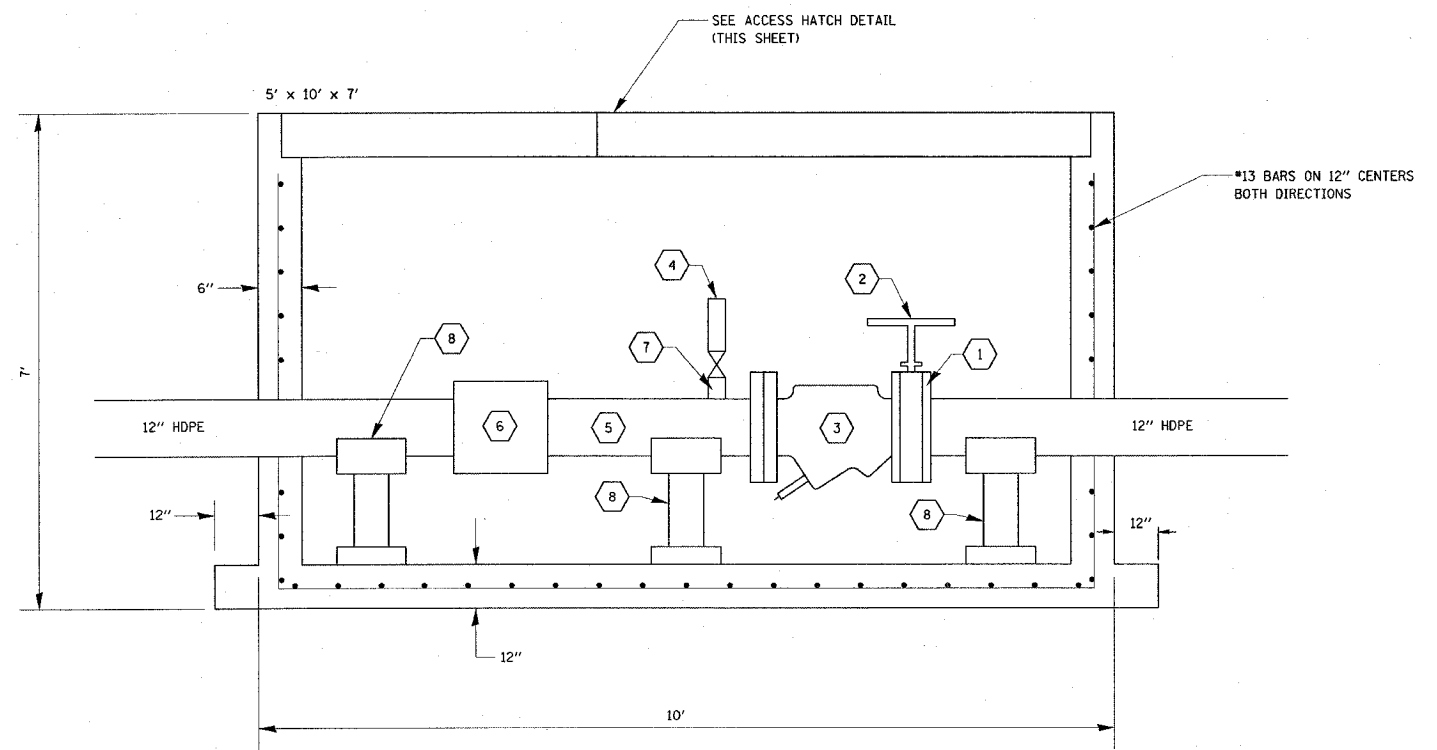
**PRINTED BY THE AUTHORITY  
 OF THE STATE OF ILLINOIS**



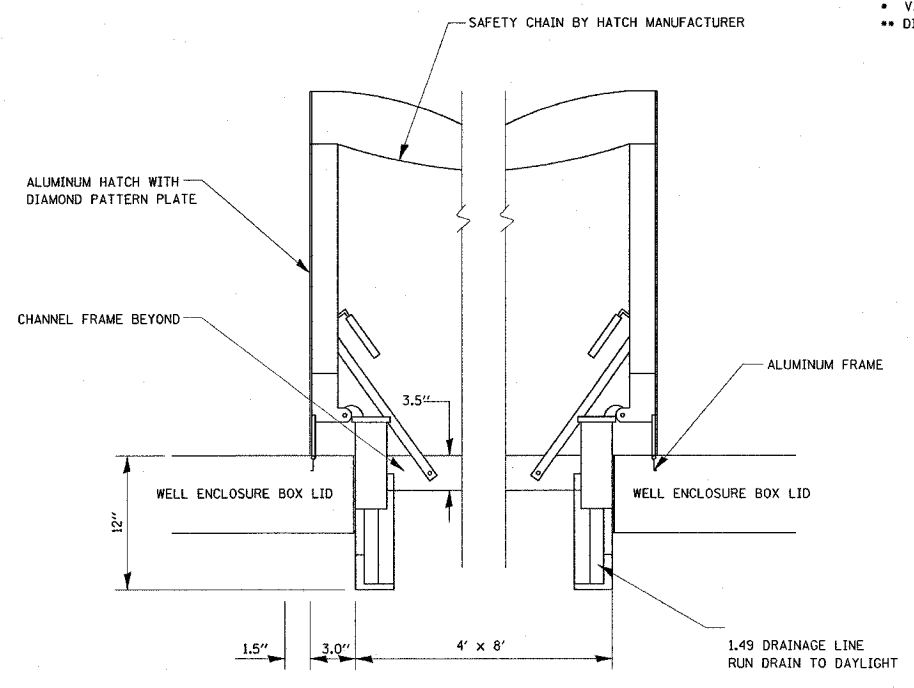


FAP ROUTE	SECTION	COUNTY	TOTAL SHEETS	SHEET NO.
*	**	ST. CLAIR	7	4
STA.		TO STA.		
CONTRACT NO.: T6A14				

- VARIOUS
- DIST 8 DEEP WELLS 2006-2



WELL ENCLOSURE BOX DETAIL  
N.T.S.



ACCESS HATCH DETAIL  
N.T.S.

**NOTES**

- DOG HOUSE BOX DESIGN WILL BE ACCEPTED.
- BOLTS, NUTS, AND WASHERS FOR CONNECTION OF VALVE TO PIPE LINE SHALL BE 304 S.S. OF THE SIZE RECOMMENDED BY THE MANUFACTURER.
- ALL EXCAVATION DIRT SHALL REMAIN ON SITE AND BE USED FOR GRADING AS PER DIRECTED BY THE ENGINEER.

**LEGEND**

- 1 12" FLANGE
- 2 12" KNIFE GATE VALVE S.S.
- 3 12" SWINGFLEX CHECK VALVE S.S.
- 4 AIR/VAC VALVE WITH ISOLATING HALL VALVE
- 5 12" S.S. PIPE AND FLANGES
- 6 12" S.S. COUPLING (REPAIR CLAMP)
- 7 S.S. NIPPLE WELDED TO 12" S.S. PIPE
- 8 PIPE SUPPORTS

**NOTES**

- MATERIAL AND WORKMANSHIP:**  
ILLINOIS DEPARTMENT OF TRANSPORTATION STANDARD SPECIFICATION FOR ROAD AND BRIDGE CONSTRUCTION ADOPTED JANUARY 1, 2002.
- CONCRETE STRENGTH, 4 ksi, WITH REINFORCING BAR GRADE 60 STEEL = ASTM 36.
- DESIGN:**  
AISC MANUAL OF STEEL CONSTRUCTION, 9th EDITION  
ACI 318-93; BUILDING CODE AND COMMENTARY.

PLAN	DATE
SURVEYED	
NOTE BOOK	
ALIGNMENT CHECKED	
FIELD FILE NAME	
NO.	

DATE  
CON-SPEC  
REF  
REF

REVISIONS	
NAME	DATE

ILLINOIS DEPARTMENT OF TRANSPORTATION  
**WELL ENCLOSURE BOX  
AND ACCESS HATCH DETAILS**  
VARIOUS ROUTES  
SECTION DIST 8 DEEP WELLS 2006-2  
ST. CLAIR COUNTY

DRAWN BY:

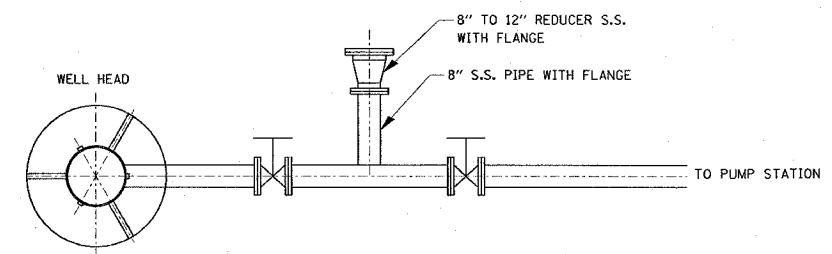
PLOT DATE: \*DATE-TIME\*



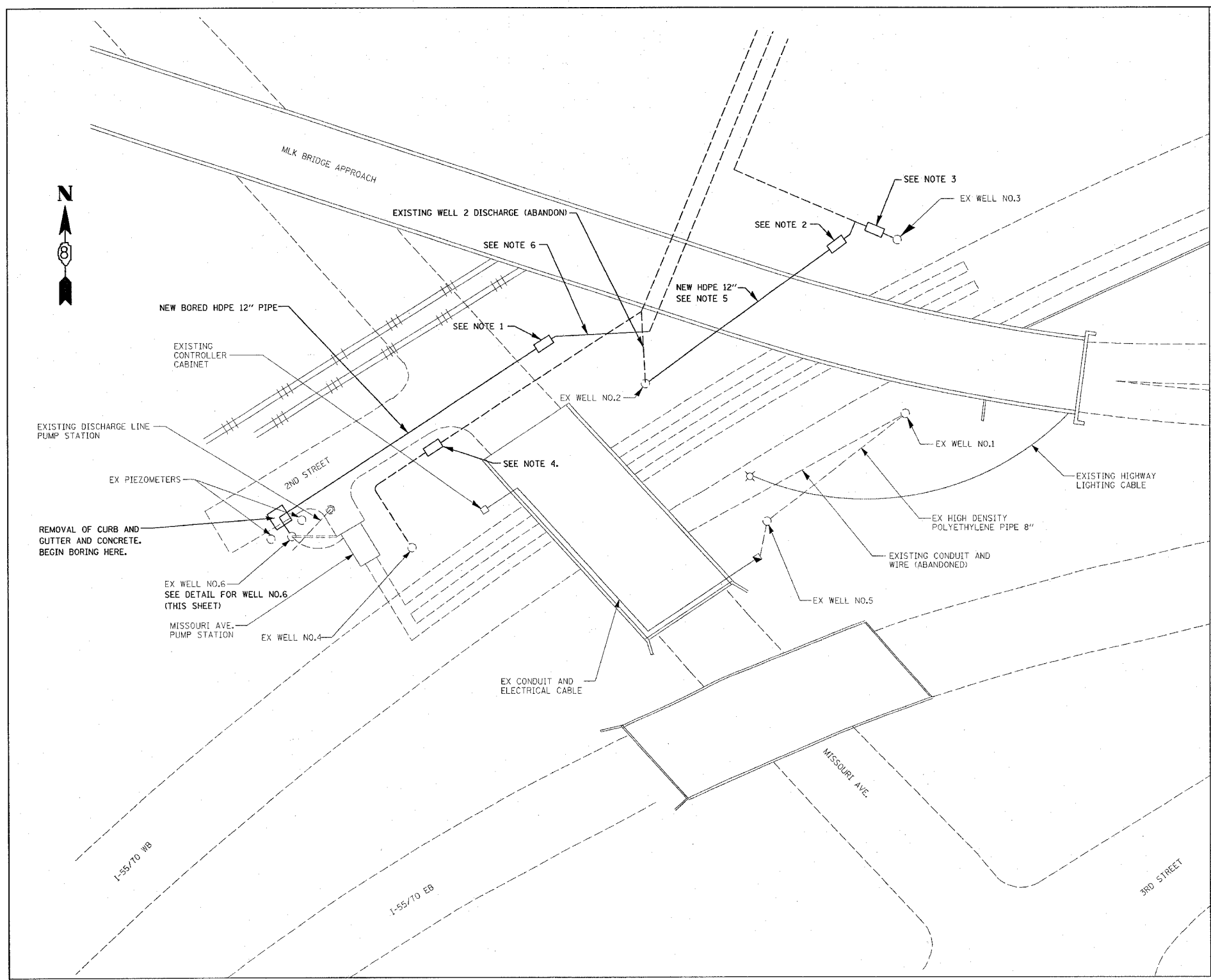
FAP ROUTE	SECTION	COUNTY	TOTAL SHEETS	SHEET NO.
*	**	ST. CLAIR	7	6
STA.		TO STA.		
CONTRACT NO.: 76A14				

\* VARIOUS  
 \*\* DIST 8 DEEP WELLS 2006-2

- NOTES**
1. WELL ENCLOSURE BOX FOR WELL NO.6.
  2. WELL ENCLOSURE BOX FOR WELL NO.2.
  3. WELL ENCLOSURE BOX FOR WELL NO.3.
  4. WELL ENCLOSURE BOX FOR WELL NO.4.
  5. INSTALL NEW 12" HDPE PIPE FROM WELL NO. 2 TO WELL NO. 3. PROVIDE AND INSTALL A COUPLER TO HOOK UP WELL NO.2 DISCHARGE PIPES INTO WELL NO. 3 TRENCH PIPE.
  6. INSTALL 12" PIPE FROM WELL NO.6 ENCLOSURE BOX TO THE DISCHARGE LINE FOR WELL NO.2 TRENCH PIPE.



**DETAIL WELL NO.6**  
 N.T.S.  
 (SEE SIDE VIEW ON SHEET 5)



PLAN	DATE
SURVEYED	
ALIGNED	
CHECKED	
BY	
NO.	



\*DATE\*\*  
 \*DATE-TIME\*  
 \*REF. SPEC\*  
 \*REF.\*

REVISIONS	
NAME	DATE

ILLINOIS DEPARTMENT OF TRANSPORTATION  
**SITE PLAN (MAGNIFIED)  
 AND WELL DETAIL**  
 VARIOUS ROUTES  
 SECTION DIST 8 DEEP WELLS 2006-2  
 ST. CLAIR COUNTY

DRAWN BY:

PLOT DATE: \*DATE-TIME\*

