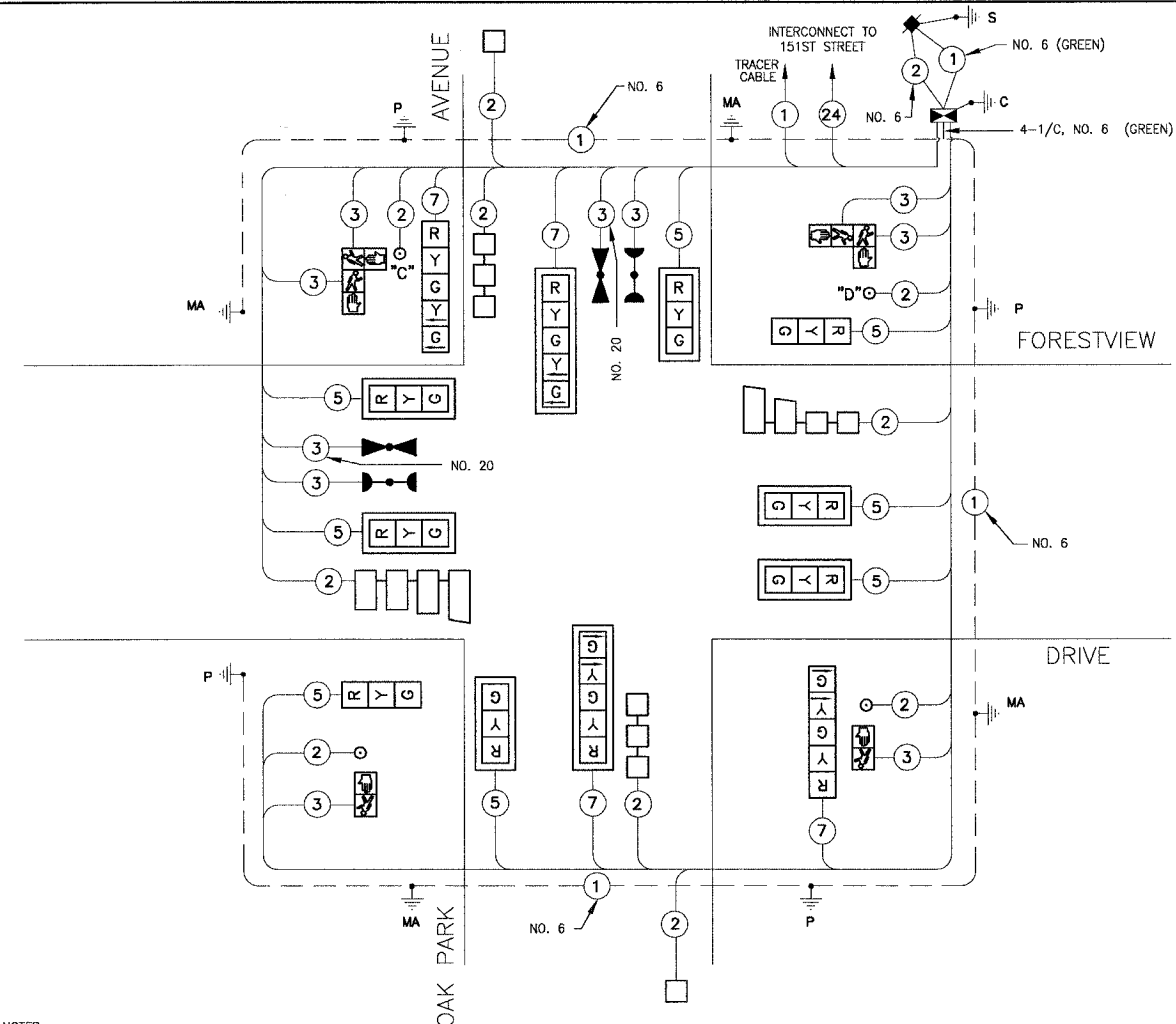
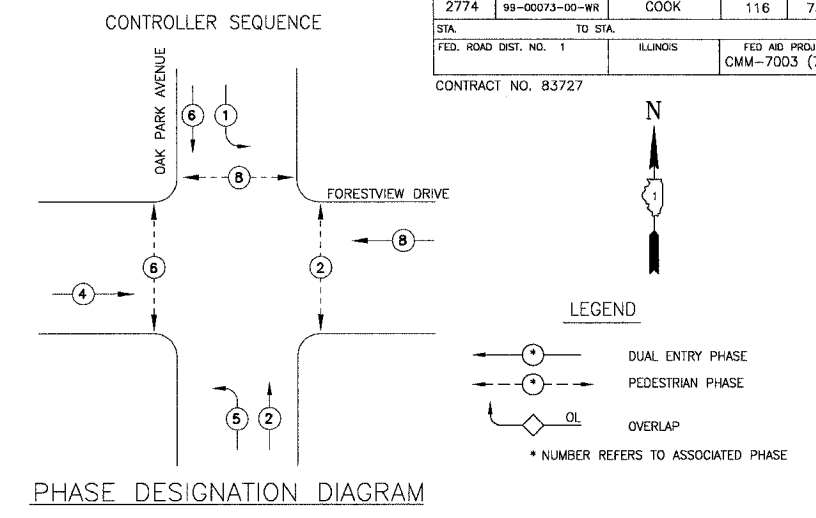


F.A.P. ROUTE NO.	SECTION	COUNTY	TOTAL SHEETS	SHEET NO.
2774	99-00073-00-WR	COOK	116	73
STA.	TO STA.			
FED. ROAD DIST. NO. 1	ILLINOIS	FED AID PROJECT CMM-7003 (750)		

CONTRACT NO. B3727



NOTES:
 PUSHBUTTON "C" SHALL PLACE A CALL IN PHASES 6 AND 8
 PUSHBUTTON "D" SHALL PLACE A CALL IN PHASES 2 AND 8

SCHEDULE OF QUANTITIES

PAY ITEM	UNIT	QUANTITY
SIGN PANEL - TYPE 1	SQ FT	36
CONDUIT IN TRENCH, 2" DIA., GALVANIZED STEEL	FOOT	552
CONDUIT IN TRENCH, 2 1/2" DIA., GALVANIZED STEEL	FOOT	52
CONDUIT IN TRENCH, 3" DIA., GALVANIZED STEEL	FOOT	15
CONDUIT IN TRENCH, 4" DIA., GALVANIZED STEEL	FOOT	10
CONDUIT PUSHED, 2" DIA., GALVANIZED STEEL	FOOT	135
CONDUIT PUSHED, 2 1/2" DIA., GALVANIZED STEEL	FOOT	44
CONDUIT PUSHED, 4" DIA., GALVANIZED STEEL	FOOT	201
HANDHOLE	EACH	5
HEAVY DUTY HANDHOLE	EACH	3
DOUBLE HANDHOLE	EACH	1
TRENCH AND BACKFILL FOR ELECTRICAL WORK	FOOT	629
FULL - ACTUATED CONTROLLER AND TYPE IV CABINET	EACH	1
TRANSCIVER - FIBER OPTIC	EACH	1
ELECTRIC CABLE IN CONDUIT, SIGNAL, NO. 14 2C	FOOT	498
ELECTRIC CABLE IN CONDUIT, SIGNAL, NO. 14 3C	FOOT	964
ELECTRIC CABLE IN CONDUIT, SIGNAL, NO. 14 5C	FOOT	1232
ELECTRIC CABLE IN CONDUIT, SIGNAL, NO. 14 7C	FOOT	575
ELECTRIC CABLE IN CONDUIT, LEAD-IN, NO. 14 1 PAIR	FOOT	1347
ELECTRIC CABLE IN CONDUIT, SERVICE, NO. 6, 2C	FOOT	42
TRAFFIC SIGNAL POST, GALVANIZED STEEL, 14 FT.	EACH	2
TRAFFIC SIGNAL POST, GALVANIZED STEEL, 16 FT.	EACH	2
STEEL MAST ARM ASSEMBLY AND POLE, 26 FT.	EACH	1
STEEL MAST ARM ASSEMBLY AND POLE, 28 FT.	EACH	2
STEEL MAST ARM ASSEMBLY AND POLE, 30 FT.	EACH	1
CONCRETE FOUNDATION, TYPE A	FOOT	16
CONCRETE FOUNDATION, TYPE D	FOOT	4
CONCRETE FOUNDATION, TYPE E 30" DIAMETER	FOOT	60
TRAFFIC SIGNAL BACKPLATE, LDUVERED	EACH	8
INDUCTIVE LOOP DETECTOR	EACH	7
DETECTOR LOOP, TYPE 1	FOOT	760
LIGHT DETECTOR	EACH	2
LIGHT DETECTOR AMPLIFIER	EACH	1
PEDESTRIAN PUSH BUTTON	EACH	4
SERVICE INSTALLATION, POLE MOUNT	EACH	1
ELECTRIC CABLE IN CONDUIT, GROUNDING, NO. 6 1C	FOOT	462
ELECTRIC CABLE IN CONDUIT, NO. 20 3/C, TWISTED, SHIELDED	FOOT	241
SIGNAL HEAD, L.E.D., 1-FACE, 3-SECTION, MAST ARM MOUNTED	EACH	6
SIGNAL HEAD, L.E.D., 1-FACE, 3-SECTION, BRACKET MOUNTED	EACH	2
SIGNAL HEAD, L.E.D., 1-FACE, 5-SECTION, BRACKET MOUNTED	EACH	2
SIGNAL HEAD, L.E.D., 1-FACE, 5-SECTION, MAST ARM MOUNTED	EACH	2
PEDESTRIAN SIGNAL HEAD, L.E.D., 1-FACE, BRACKET MOUNTED	EACH	2
PEDESTRIAN SIGNAL HEAD, L.E.D., 2-FACE, BRACKET MOUNTED	EACH	2

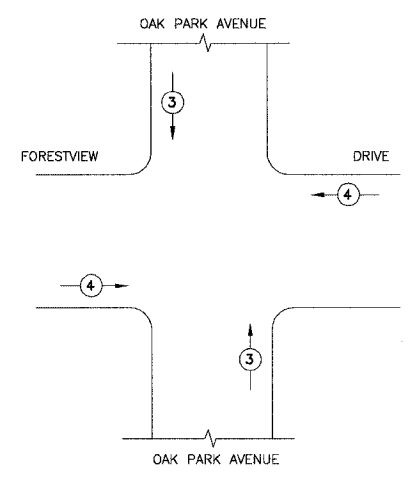
FOUNDATION (DEPTH)	(FT.)	CABLE SLACK	(FT.)	VERTICAL	(FT.)
TYPE A - POST	4	HANDHOLE	6.5	ALL FOUNDATIONS	3.5
D - CONTROLLER	4	DOUBLE HANDHOLE	13	MAST ARM (L) POLE	20'+L-2'
E - M. ARM POLE	-	SIGNAL POST	2	BRACKET MOUNTED	13
		24"	10"	CONTROLLER CAB.	6
		30"	15	FIBER OPTIC	13
				ELECTRIC SERVICE	13.5
				ELECTRIC SERVICE	1
				SERVICE TO GROUND	13.5
				GROUND CABLE	1
				POST MOUNTED	6

THE END OF THE TRACER CABLE SHALL BE CONTINUOUS AND EXTEND INTO THE CONTROLLER CABINET.

CABLE PLAN LEGEND

EXISTING	PROPOSED	DESCRIPTION
[Symbol]	[Symbol]	8" (200mm) TRAFFIC SIGNAL SECTION
[Symbol]	[Symbol]	12" (300mm) TRAFFIC SIGNAL SECTION
[Symbol]	[Symbol]	12" (300mm) PEDESTRIAN SIGNAL SECTION
[Symbol]	[Symbol]	12" (300mm) PEDESTRIAN SIGNAL SECTION
[Symbol]	[Symbol]	CONTROLLER CABINET
[Symbol]	[Symbol]	SERVICE INSTALLATION
[Symbol]	[Symbol]	TELEPHONE INSTALLATION
[Symbol]	[Symbol]	VEHICLE DETECTOR, INDUCTION LOOP
[Symbol]	[Symbol]	MAGNETIC DETECTOR
[Symbol]	[Symbol]	EMERGENCY VEHICLE LIGHT DETECTOR
[Symbol]	[Symbol]	CONFIRMATION BEACON
[Symbol]	[Symbol]	PUSHBUTTON DETECTOR
[Symbol]	[Symbol]	DENOTES NUMBER OF CONDUCTORS. ALL CABLE NO. 14 EXCEPT AS INDICATED. ALL LOOP DETECTOR CABLE TO BE SHIELDED.
[Symbol]	[Symbol]	GROUND CABLE IN CONDUIT NO. 6 SOLID COPPER (GREEN)
[Symbol]	[Symbol]	FIBER OPTIC CABLE IN CONDUIT NO. 62.5/125 2-MM12F SM12F
[Symbol]	[Symbol]	SIGNAL FACE WITH BACKPLATE. "P" INDICATES PROGRAMMED HEAD.
[Symbol]	[Symbol]	RAILROAD CONTROL CABINET
[Symbol]	[Symbol]	ILLUMINATED SIGN NO LEFT TURN
[Symbol]	[Symbol]	ILLUMINATED SIGN NO RIGHT TURN
[Symbol]	[Symbol]	GROUND ROD AT HANDHOLE (H), DOUBLE HANDHOLE (H), OR CONTROLLER (C)
[Symbol]	[Symbol]	GROUND ROD AT POST (P) OR MAST ARM POLE (MA)
[Symbol]	[Symbol]	GROUND ROD AT ELECTRIC SERVICE INSTALLATION

EMERGENCY VEHICLE PREEMPTION SEQUENCE



PROPOSED EMERGENCY VEHICLE PREEMPTORS	
EMERGENCY VEHICLE PREEMPTORS	3 4
MOVEMENT	↑ ↓

I.D.O.T. TRAFFIC SIGNAL INSTALLATION ELECTRICAL SERVICE REQUIREMENTS				
TYPE	NO LAMPS	WATTAGE	%OPERATION	TOTAL WATTAGE
SIGNAL (RED)	12	17	0.50	102
(YELLOW)	12	25	0.25	75
(GREEN)	12	15	0.25	45
ARROW	8	12	0.10	10
PED. SIGNAL	6	25	1.00	150
CONTROLLER	1	100	1.00	100
ILLUM. SIGN	-	40	0.50	-
STREET LIGHTS	-	250	0.50	-
FLASHER	-	-	0.50	-
TOTAL =				482

ENERGY COSTS BILLED TO: IDOT/DIVISION OF HIGHWAY DISTRICT 1 (ADDRESS) 201 WEST CENTER COURT SCHAMBURG, IL 60196-1096

ENERGY SUPPLY CONTACT: JULIE SNOW PHONE: 1-866-639-3532 COMPANY: COMMONWEALTH EDISON

REVISIONS	
NAME	DATE
RWL	7-1-04
RWL	10-1-04
NJP	4-28-06
NJP	5-19-06

ILLINOIS DEPARTMENT OF TRANSPORTATION

TRAFFIC SIGNAL

CABLE AND PHASE DESIGNATION DIAGRAM

OAK PARK AVENUE AT FORESTVIEW DRIVE

SCALE: NONE

DATE: 6-1-04

DRAWN BY: UKB

DESIGNED BY: RWL

CHECKED BY: RWL

I:\Q:\FT\020146\DWG\020146-CABLE.dwg
 Plotter: 6-06-06 @ 2:37pm By: 3544/p
 Copyright © 2004, By Baxter & Woodman, Inc.
 State of Illinois - Professional Design Firm
 License No. - 184-001121 - Expires 4-30-05