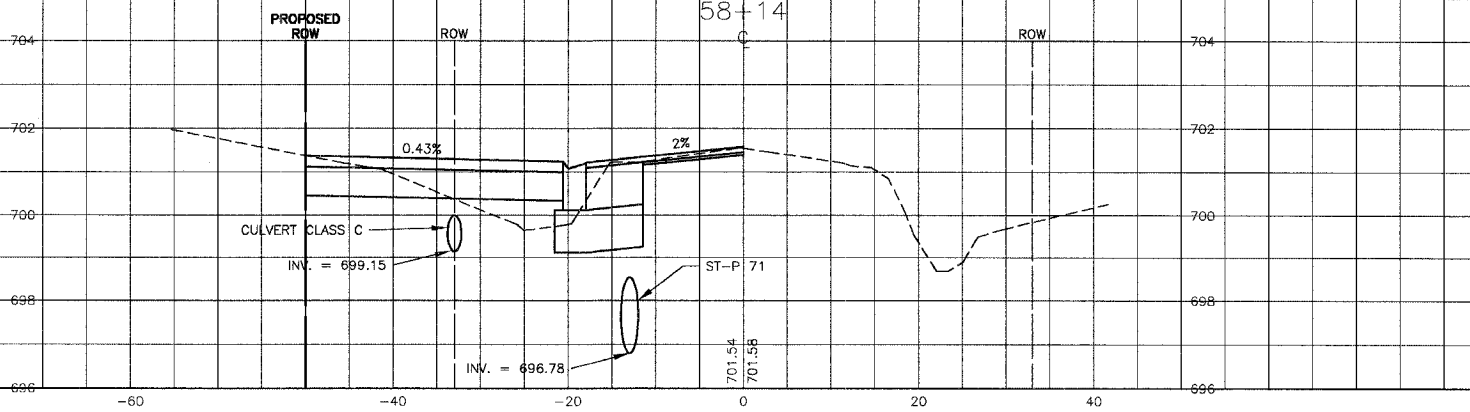
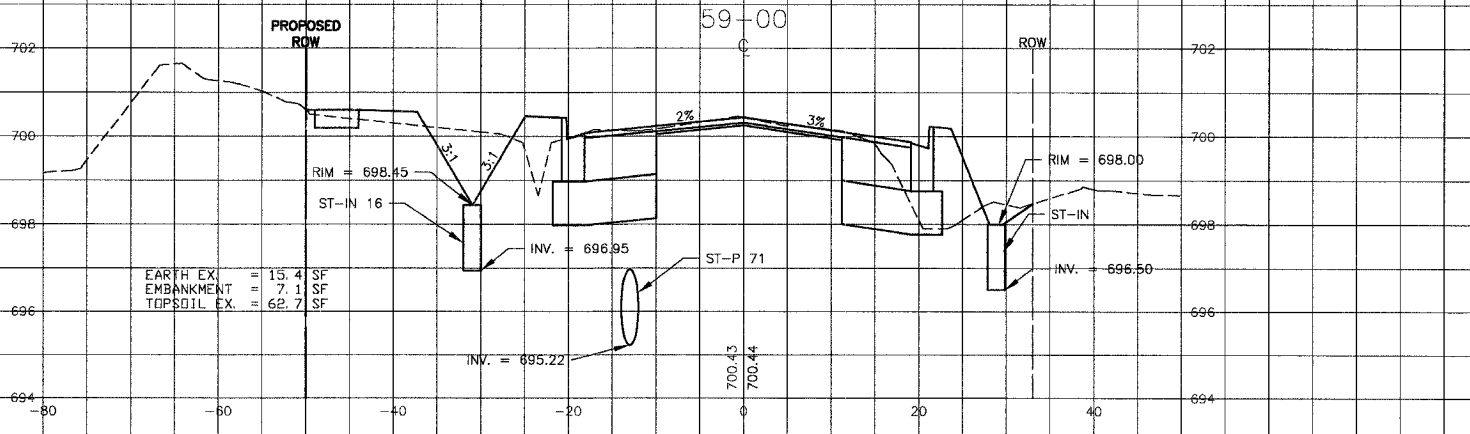
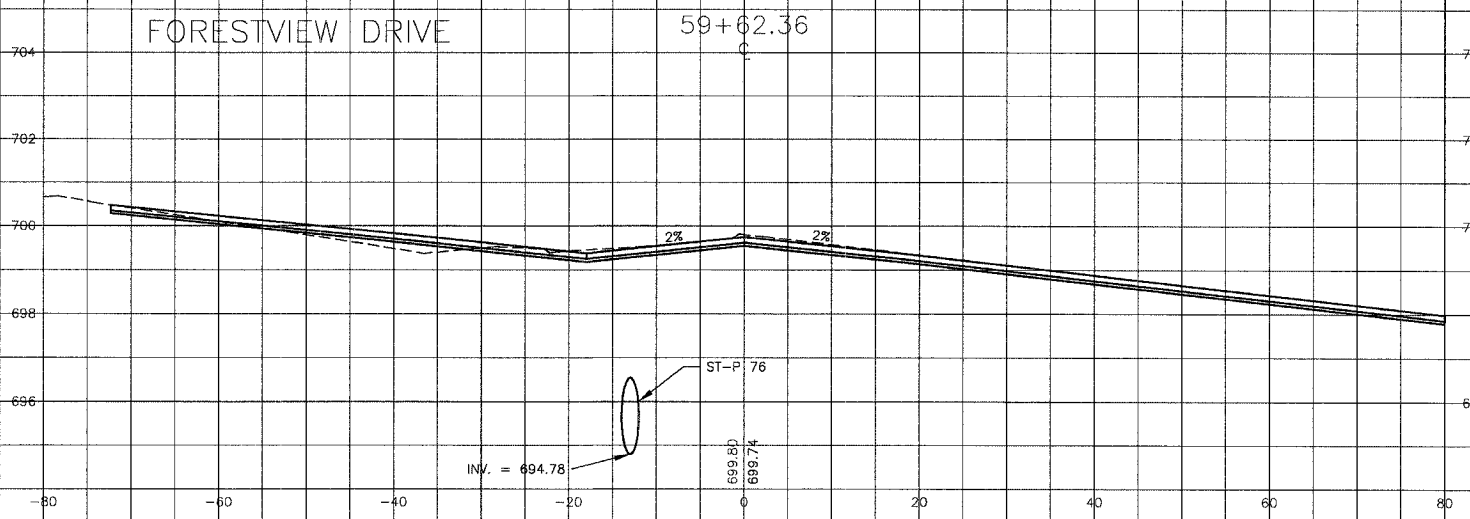
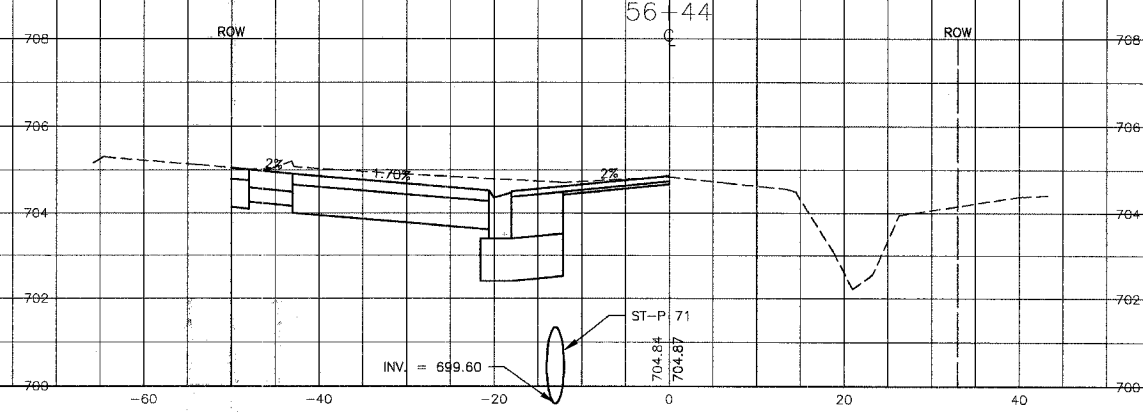
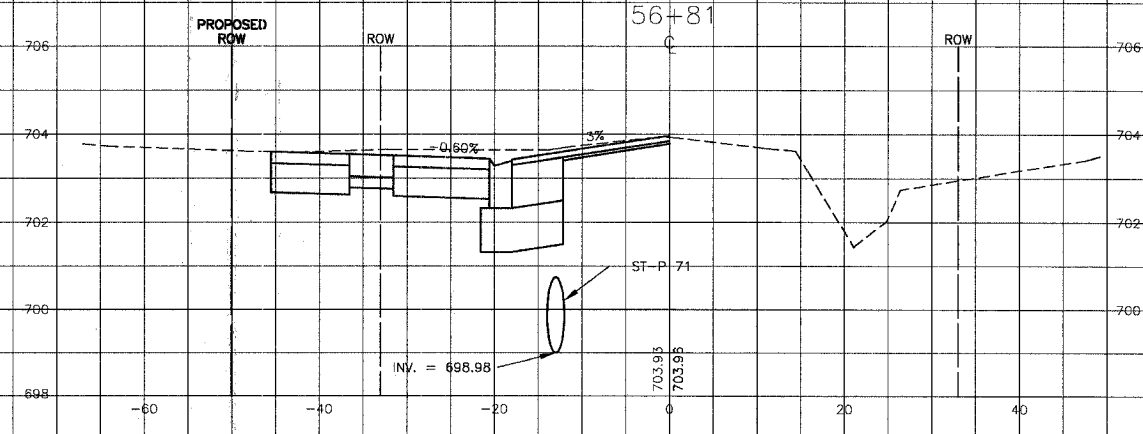
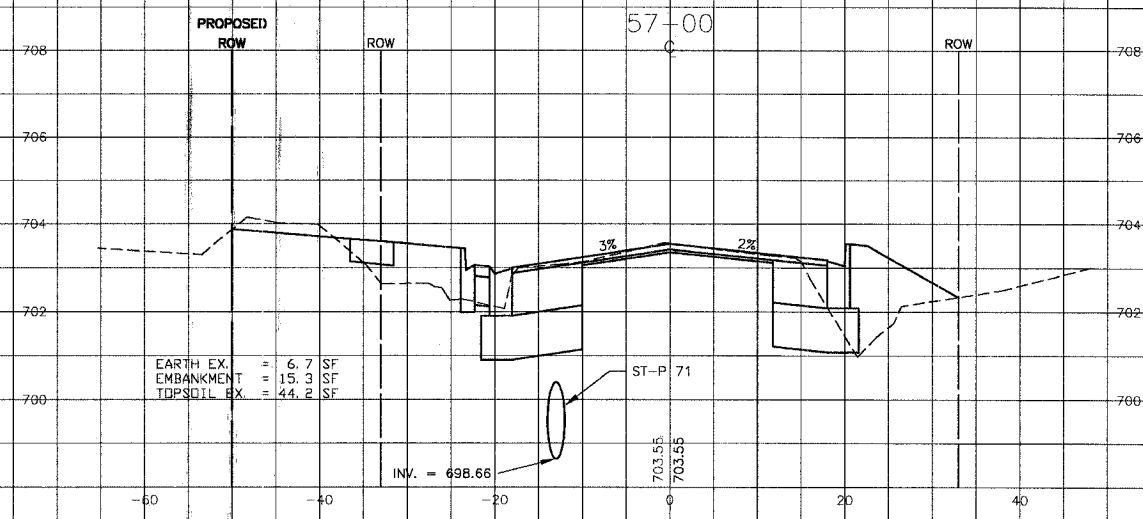
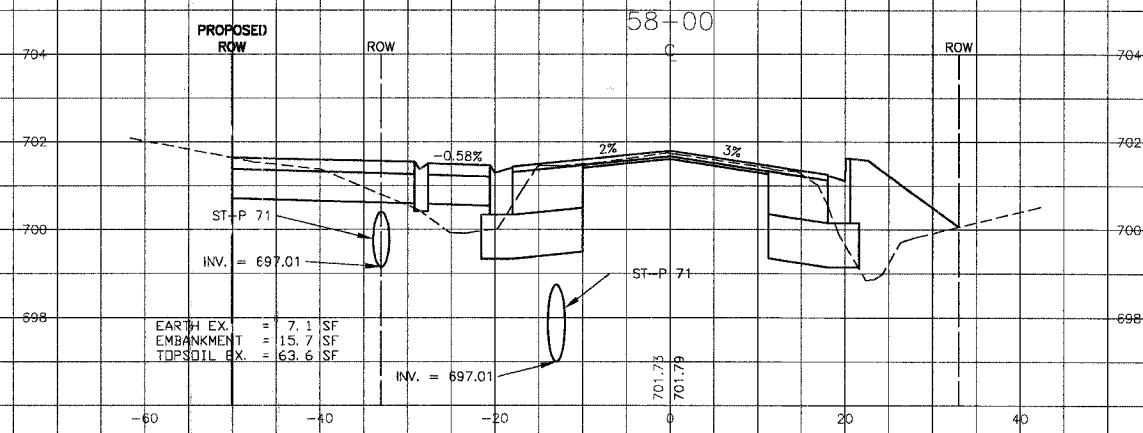


F.A. ROUTE NO.	SECTION	COUNTY	TOTAL SHEETS	SHEET NO.
2774	99-00073-00-WR	COOK	116	106
STA.	TO STA.		ILLINOIS	
FED. ROAD DIST. NO. 1			FED AID PROJECT CMM-7003 (750)	
CONTRACT NO. 83727				



I:\OAKFT\020146\Draws\OakPark-XS.dwg  
 Plotted: 4-30-06 @ 12:47pm By: 231ub  
 Copyright © 2004 by Baxter & Woodman, Inc.  
 State of Illinois Professional Design Firm  
 License No. 18-5-00121 Expires 4-30-05

CONSULTANTS	REV. NO.	DATE	DESCRIPTION
	1	4-28-06	PER IDOT AND COOK COUNTY COMMENTS

\* - REFER TO EQUIPMENT MANUFACTURER'S SHOP DRAWINGS

**Baxter & Woodman**  
 Consulting Engineers  
 Crystal Lake, Illinois 815.459.1260  
 Burlington, Wisconsin 262.763.7834  
 Mokena, Illinois 708.478.2090  
 DeKalb, Illinois 815.787.3111  
 Crystal Lake, Illinois 847.223.5098  
 Rockford, Illinois 815.489.1551  
 Plainfield, Illinois 815.609.7425

**CITY OF OAK FOREST, ILLINOIS**  
**OAK PARK AVENUE PROJECT**

**CROSS SECTIONS**  
**OAK PARK AVENUE**  
**STA. 56+44 TO STA. 59+62.36**

DESIGNED BY	SCALE VERT: 1"=2'
PAW	HORIZ: 1"=10'
DRAWN BY	PROJECT NO.
LJK	020146
CHECKED BY	SHEET NO.
NJP	106 OF 116
DATE	1-20-05