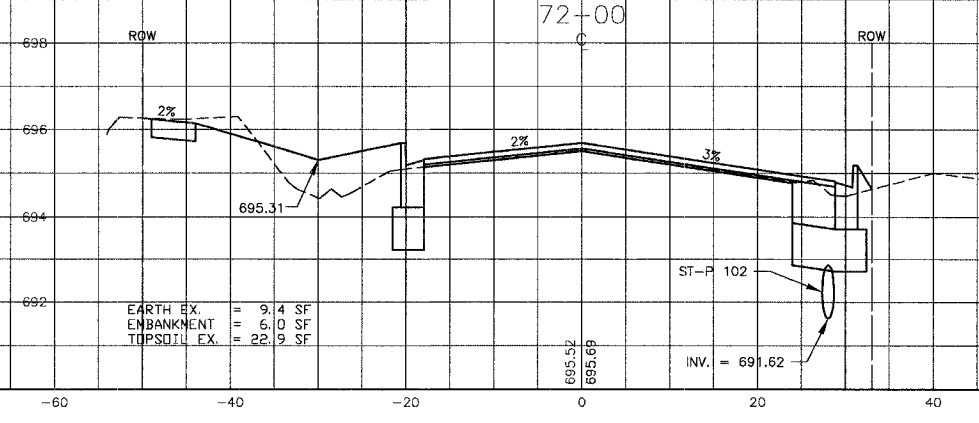
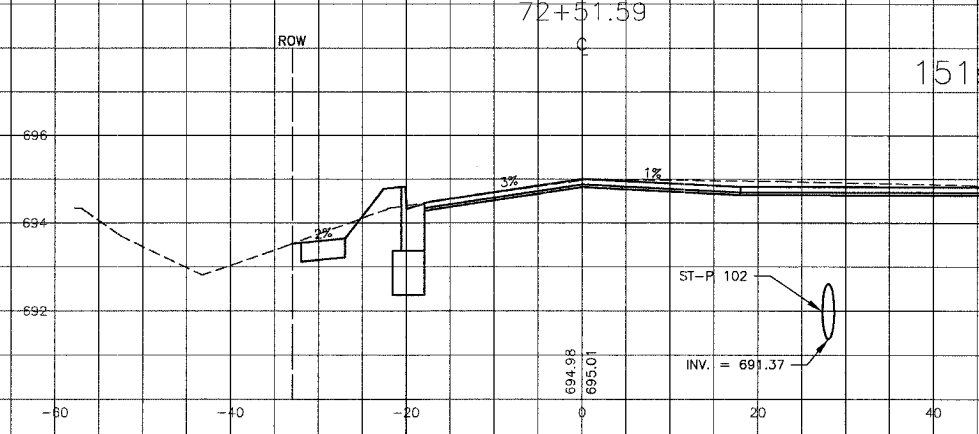
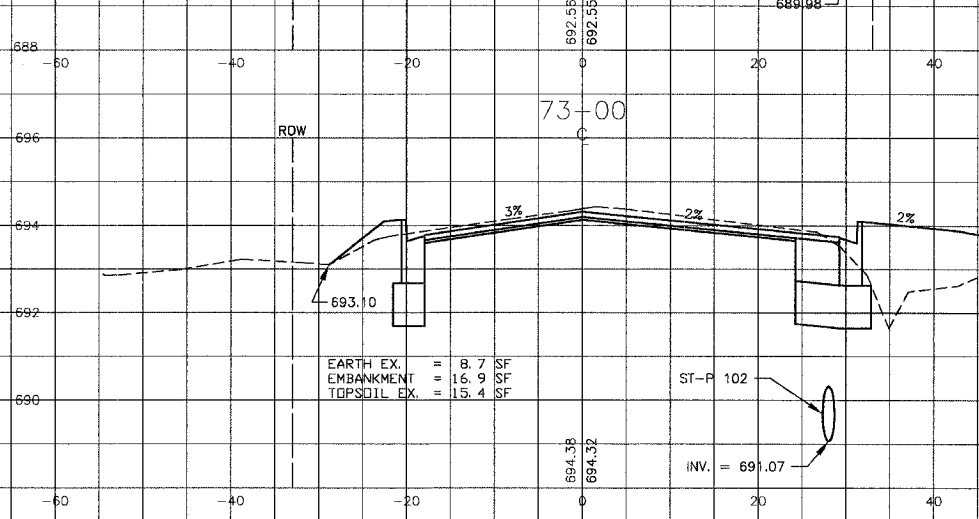
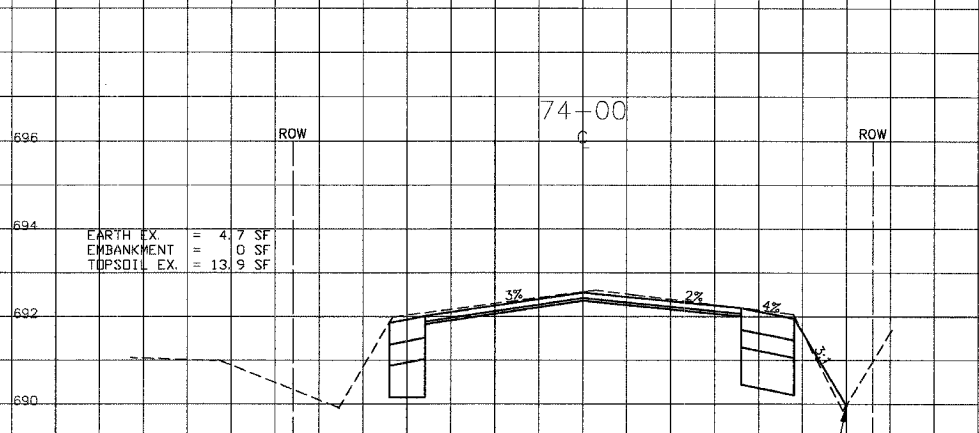
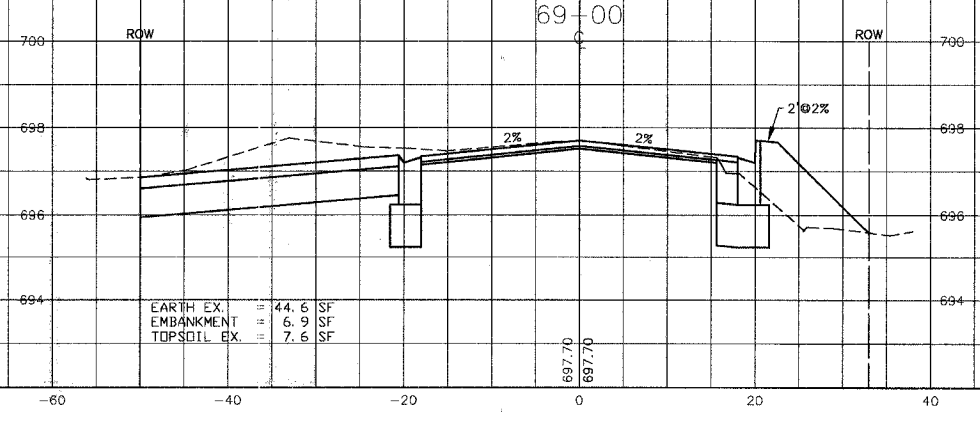
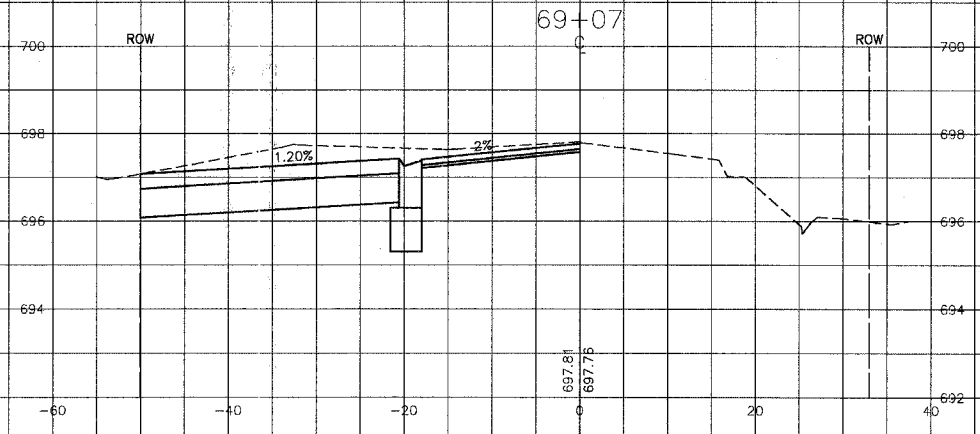
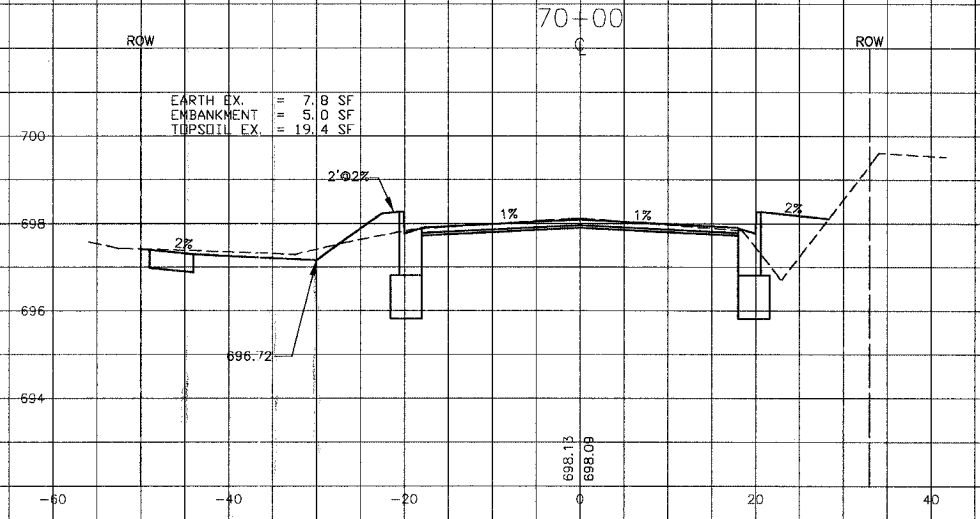
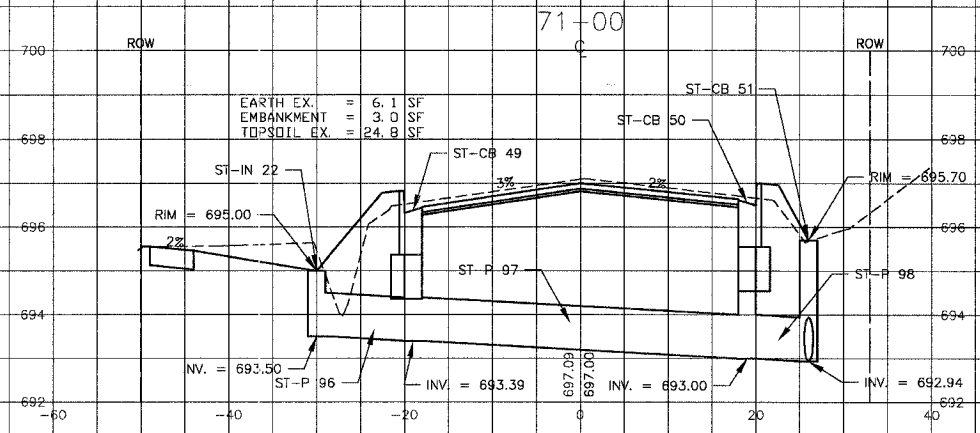


F.A.U. ROUTE NO.	SECTION	COUNTY	TOTAL SHEETS	SHEET NO.
2774	99-00073-00-WR	COOK	116	109
STA.	TO STA.		FED AID PROJECT	
FED. ROAD DIST. NO. 1	ILLINOIS		CMM-7003 (750)	
CONTRACT NO. 83727				



151st STREET

I:\04121\020146\Drawings\Civil\109.dwg
 Path: 4-30-06
 Copy: 01
 State of Illinois - Professional Design Firm
 License No. 184-001121 - Expires 4-30-05

CONSULTANTS	REV. NO.	DATE	DESCRIPTION
	1	4-28-06	PER IDOT AND COOK COUNTY COMMENTS

REFER TO EQUIPMENT MANUFACTURER'S SHOP DRAWINGS

BAKTER & WOODMAN
 Consulting Engineers

Baxter & Woodman
 Crystal Lake, Illinois 815.459.1200
 Burlington, Wisconsin 262.763.7934
 Mokena, Illinois 708.478.2090
 DeKalb, Illinois 815.787.3111
 Graylake, Illinois 815.783.5089
 Rockford, Illinois 815.489.1557
 Plainfield, Illinois 815.609.7425

CITY OF OAK FOREST, ILLINOIS
OAK PARK AVENUE PROJECT

CROSS SECTIONS
OAK PARK AVENUE
STA. 69+00 TO STA. 74+00

DESIGNED BY: PAW
 DRAWN BY: UKB
 CHECKED BY: NJP
 DATE: 1-20-05

SCALE: VERT: 1"=2'
 HORIZ: 1"=10'

PROJECT NO.: 020146
 SHEET NO.: 109 OF 116