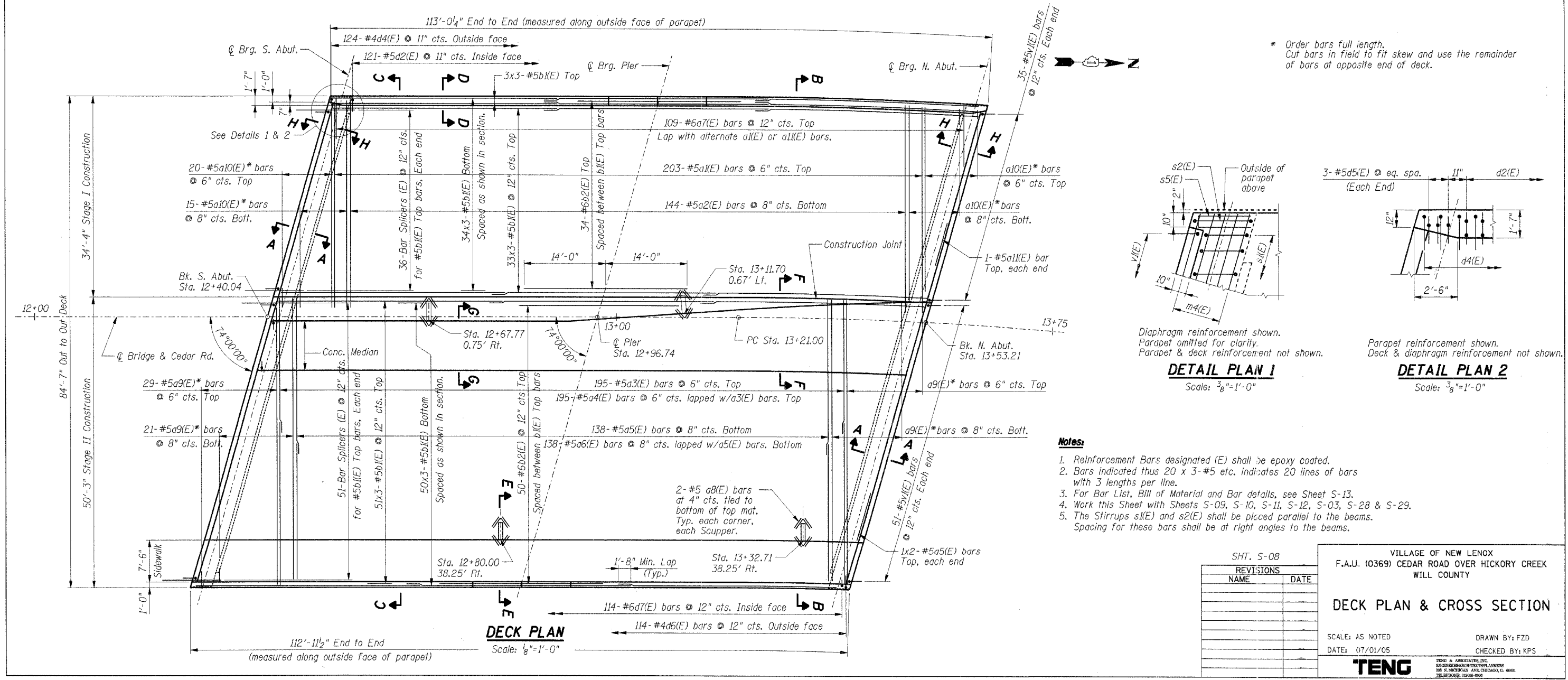
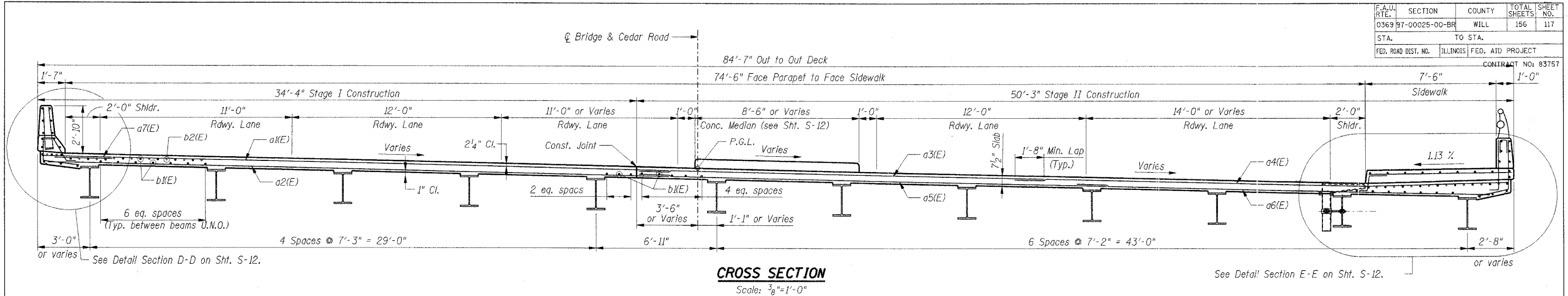
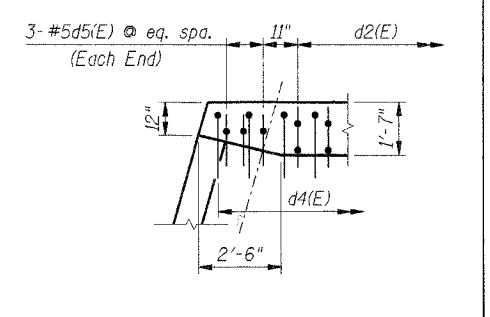
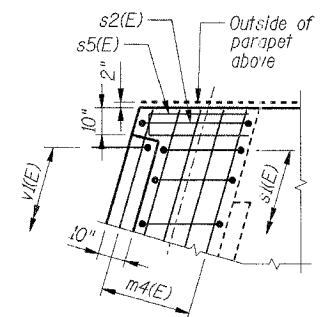


F.A.U. SECTION	COUNTY	TOTAL SHEETS	SHEET NO.
0369 97-00025-00-BR	WILL	156	117
STA.	TO STA.		
FED. ROAD DIST. NO.	ILLINOIS	FED. AID PROJECT	

CONTRACT NO: 83757



* Order bars full length. Cut bars in field to fit skew and use the remainder of bars at opposite end of deck.



- Notes:**
1. Reinforcement Bars designated (E) shall be epoxy coated.
 2. Bars indicated thus 20 x 3-#5 etc. indicates 20 lines of bars with 3 lengths per line.
 3. For Bar List, Bill of Material and Bar details, see Sheet S-13.
 4. Work this Sheet with Sheets S-09, S-10, S-11, S-12, S-03, S-28 & S-29.
 5. The Stirrups s1(E) and s2(E) shall be placed parallel to the beams. Spacing for these bars shall be at right angles to the beams.

SHT. S-08

REVISIONS	
NAME	DATE

VILLAGE OF NEW LENOX
F.A.U. (0369) CEDAR ROAD OVER HICKORY CREEK
WILL COUNTY

DECK PLAN & CROSS SECTION

SCALE: AS NOTED
DATE: 07/01/05

DRAWN BY: FZD
CHECKED BY: KPS

TENG
TENG & ASSOCIATES, INC.
ENGINEERS ARCHITECTS INTERIORS
300 N. MICHIGAN AVE. CHICAGO, IL 60601
TELEPHONE: 312.663.0000