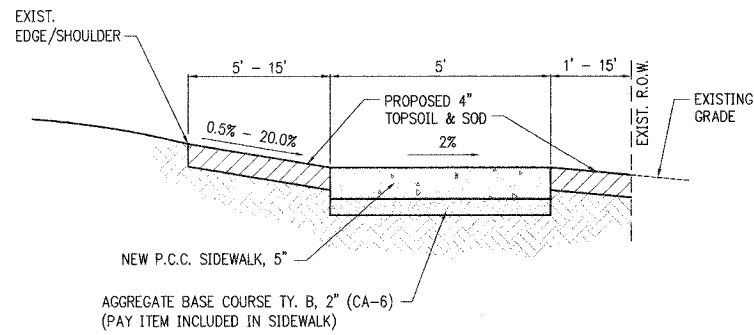
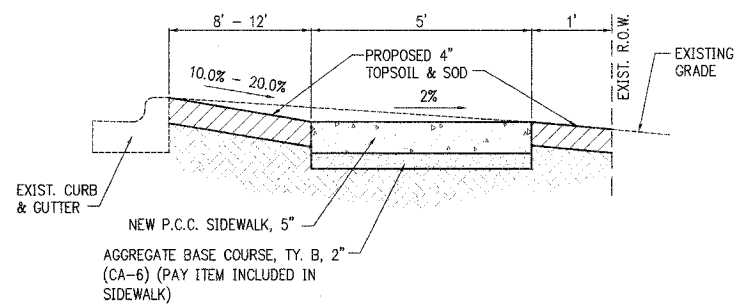


F.A.P. RTE.	SECTION	COUNTY	TOTAL SHEETS	SHEET NO.
-	06-00096-00-SW	DU PAGE	16	3
FEDERAL RD. DIST. NO.	ILLINOIS	FEDERAL AID PROJECT		
CONTRACT: 83851				



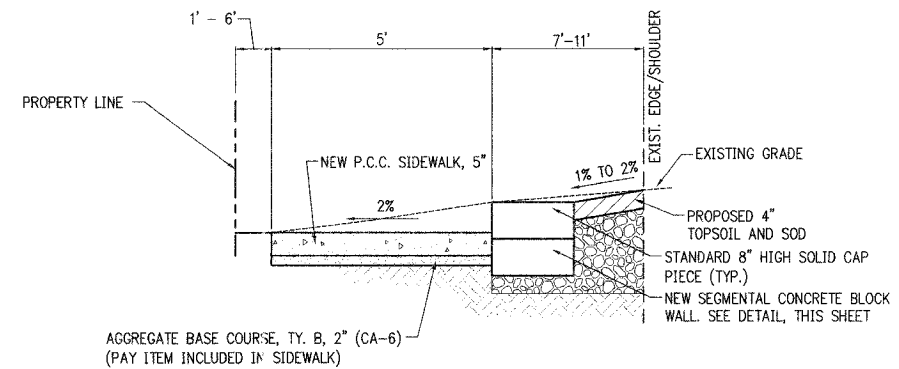
EXISTING & PROPOSED TYPICAL SECTION

63rd STREET
 STA. 0+00 TO STA. 6+80
 (SHEET 4 OF 15)
 STA. 2+75 TO STA. 5+81
 STA. 10+85 TO STA. 13+01
 (SHEET 5 OF 15)



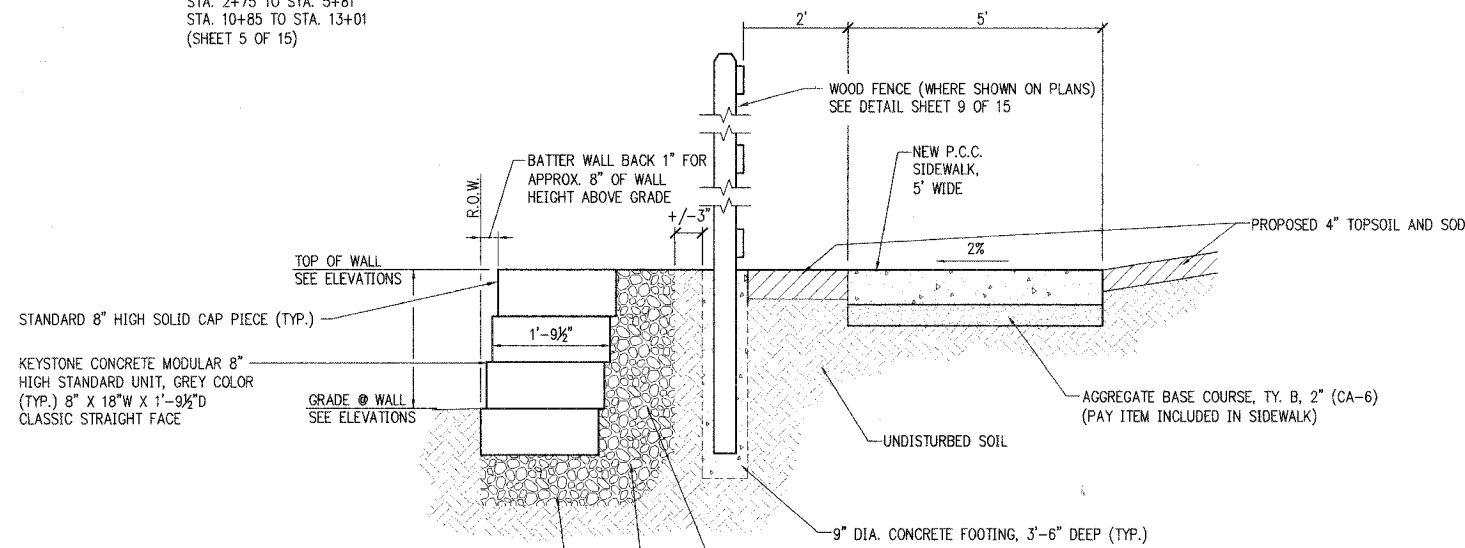
EXISTING & PROPOSED TYPICAL SECTION

63rd STREET
 STA. 0+00 TO STA. 2+75
 (SHEET 5 OF 15)



EXISTING & PROPOSED TYPICAL SECTION

63rd STREET
 STA. 5+81 TO STA. 6+51
 (SHEET 5 OF 15)

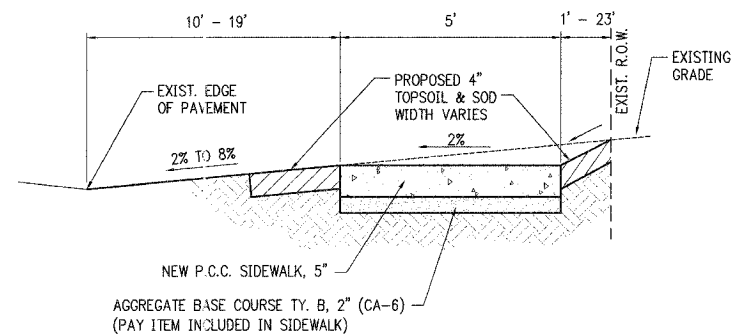


SEGMENTAL CONCRETE BLOCK WALL TYPICAL SECTION

63RD STREET
 STA. 6+47 TO STA. 10+85
 (SHEET 5 OF 15)

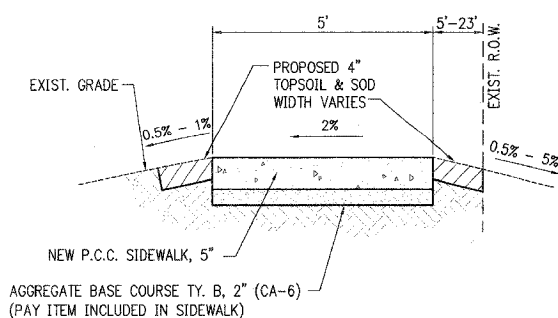
NOTE
 GRADING PREPARATION AND SHAPING FOR SIDEWALK AND SEGMENTAL CONCRETE BLOCK WALL TO BE INCLUDED IN THE PAY ITEM FOR "REMOVAL AND DISPOSAL OF UNSUITABLE MATERIAL"

FILL VOIDS INSIDE AND BEHIND UNITS W/ 3/4\"/>
 COMPACT FILL TO 95% STANDARD PROCTOR IN 8\"/>
 PREPARE LEVEL BASE W/6\"/>
 GRANULAR FILL (SAND, GRAVEL OR 1/2\"/>
 CRUSHED STONE @ 95% STANDARD PROCTOR.)
 INSTALL ONE COURSE OF BLOCK BELOW GRADE, STEP AS REQUIRED



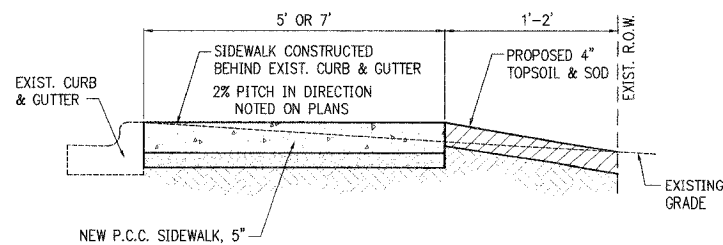
EXISTING & PROPOSED TYPICAL SECTION

RICHMOND AVENUE
 STA. 0+00 TO STA. 14+50
 (SHEETS 6 AND 7 OF 15)
CHICAGO AVENUE
 STA. 0+00 TO STA. 19+29
 (SHEETS 9 AND 10 OF 15)
CUMMOR ROAD
 STA. 0+00 TO STA. 13+08
 (SHEETS 11 AND 12 OF 15)



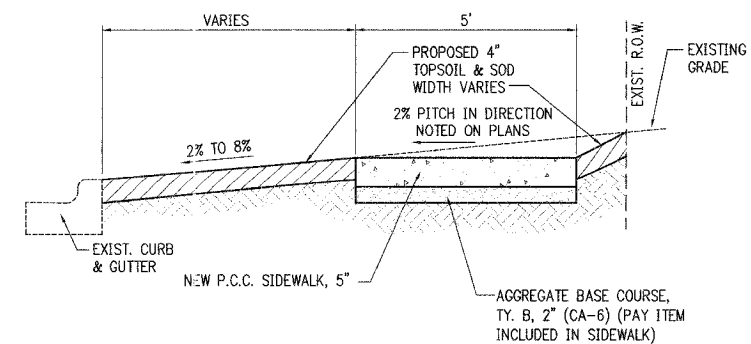
EXISTING & PROPOSED TYPICAL SECTION

RICHMOND AVENUE
 STA. STA. 14+50 TO STA. 19+35
 (SHEET 7 OF 15)



EXISTING & PROPOSED TYPICAL SECTION

OGDEN AVENUE
 STA. 0+00 TO STA. 1+00
 STA. 12+40 TO STA. 14+17
 (SHEET 8 OF 15)



EXISTING & PROPOSED TYPICAL SECTION

OGDEN AVENUE
 STA. 16+14 TO STA. 18+30
 (SHEET 8 OF 15)

Scale For Microfilming
 Millimeters
 Inches

COPYRIGHT © 2006 BURNS AND MCDONNELL ENGINEERING COMPANY, INC.



date	11-11-05	detailed	J. HOLZINGER
designed	M. KUNTZ	checked	A. BRYANT



VILLAGE OF WESTMONT	
2006 CMAQ SIDEWALK PROJECT TYPICAL SECTIONS	
project	contract
39606	
drawing	rev.
sheet 3	of 16 sheets
file I:\WESTMONT\39606-2006 SW...CAD\BID\TYP_SECT	