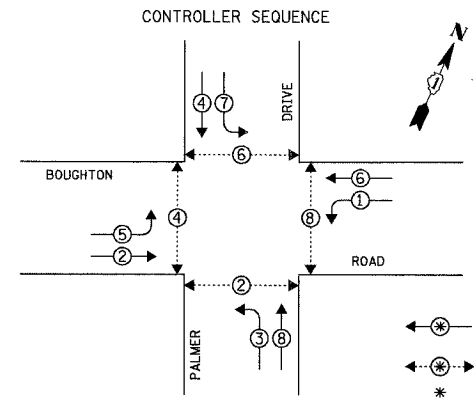


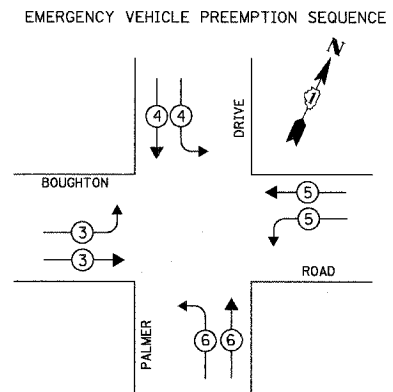
F.A.U. RTE.	SECTION	COUNTY	TOTAL SHEETS	SHEET NO.
3580	04-00043-00-TL	WILL	54	8
STA.		TO STA.		
FED. ROAD DIST. NO.		ILLINOIS FED. AID PROJECT		
CONTRACT NO.: 83855				

SCHEDULE OF QUANTITIES		
ITEM	UNIT	TOTAL
MAINTENANCE OF EXISTING TRAFFIC SIGNAL INSTALLATION	EACH	1
TRANSCEIVER - FIBER OPTIC	EACH	1
MODIFY EXISTING CONTROLLER	EACH	1



**LEGEND**  
 \* DUAL ENTRY PHASE  
 \* PEDESTRIAN PHASE  
 \* NUMBER REFERS TO ASSOCIATED PHASE

PHASE DESIGNATION DIAGRAM

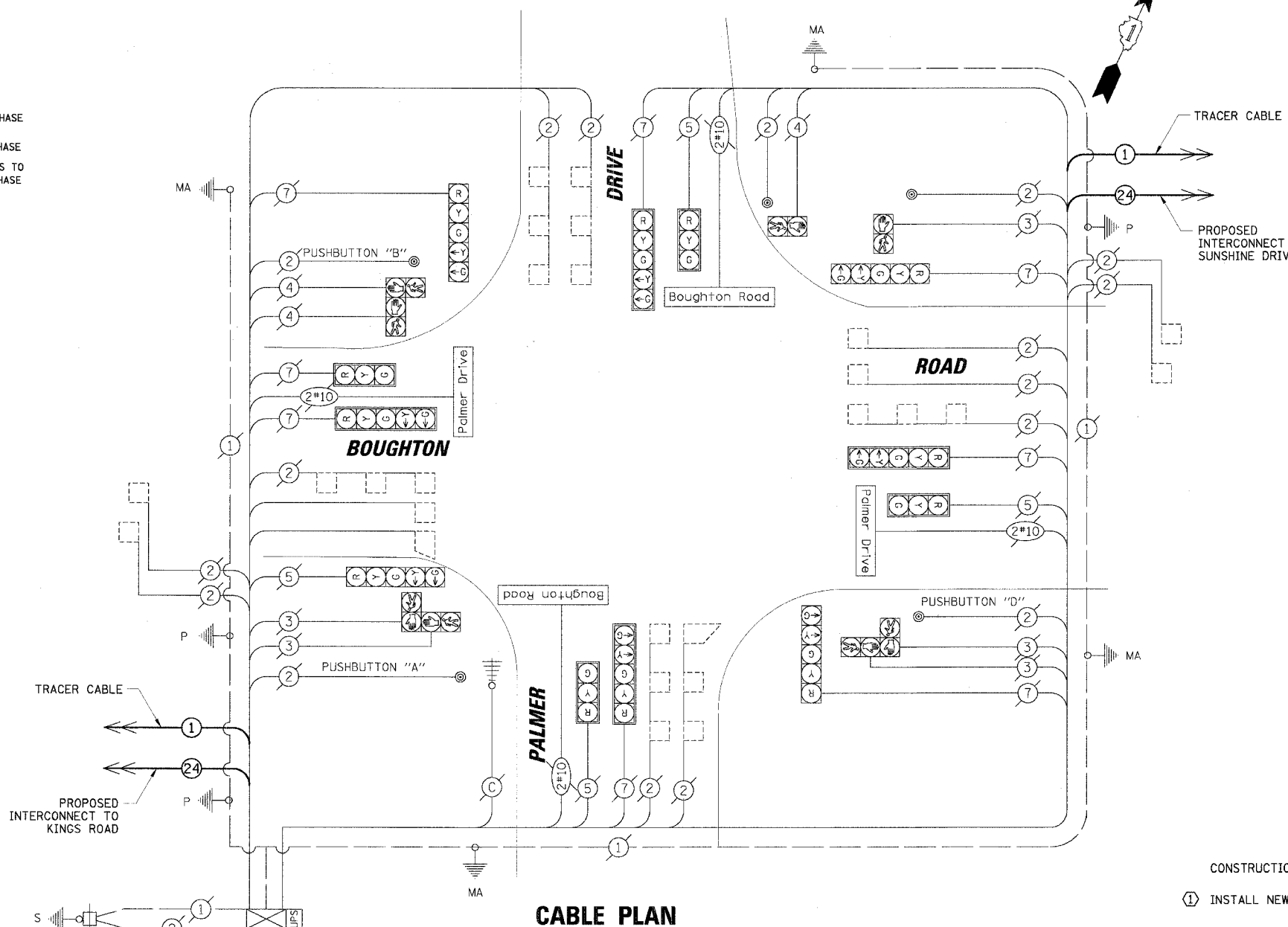


PROPOSED EMERGENCY VEHICLE PREEMPTORS				
EMERGENCY VEHICLE PREEMPTOR	3	4	5	6
MOVEMENT	→	↓	←	↑

I.D.O.T. TRAFFIC SIGNAL INSTALLATION ELECTRICAL SERVICE REQUIREMENTS				TOTAL WATTAGE
TYPE	NO. OF LAMPS	WATTAGE X INCAND. LED	% OPERATION	
SIGNAL (RED)	12	17	0.50	102.00
(YELLOW)	12	25	0.25	75.00
(GREEN)	12	15	0.25	45.00
ARROW	16	12	0.10	19.20
PED. SIGNAL	8	25	1.00	200.00
CONTROLLER	1	100	1.00	100.00
ILLUM. SIGN	-	25	0.05	-
ILLUM. ST. NAME SIGN	4	60	0.50	120.00
FLASHER			0.50	
TOTAL =				661.20

ENERGY COSTS TO:  
**VILLAGE OF BOLINGBROOK**  
 375 BRIARCLIFF ROAD  
 BOLINGBROOK, ILLINOIS 60440-0951  
 ENERGY SUPPLY: CONTACT: DALE BOLLINGER  
 PHONE: (815) 724-5717  
 COMPANY: COMED

FOUNDATION (DEPTH)	FT. (m)	CABLE SLACK	FT. (m)	VERTICAL	FT. (m)
TYPE A - POST	4 (1.2)	HANDHOLE	6.5 (2.0)	ALL FOUNDATIONS	3.5 (1.0)
D - CONTROLLER	4 (1.2)	DOUBLE HANDHOLE	13 (4.0)	MAST ARM (L) POLE	20'+L-2'
E - M. ARM POLE		SIGNAL POST	2 (1.0)		(6m+L-0.6m)
		24" (600mm)	10 (3.0)	CONTROLLER CAB.	1 (0.5)
		30" (750mm)	15 (4.6)	FIBER OPTIC	13 (4.0)
		36" (900mm)	15 (4.6)	ELECTRIC SERVICE	1 (0.5)
				GROUND CABLE	1 (0.5)
				ELECTRIC SERVICE POST MOUNTED	13.5 (4.1)
				SERVICE TO GROUND	13.5 (4.1)
					6 (1.8)



**CABLE PLAN**

CABLE PLAN LEGEND	
EXISTING	PROPOSED
8"	8"
12"	12"
12"	12"
12"	12"
CONTROLLER CABINET SERVICE INSTALLATION	CONTROLLER CABINET SERVICE INSTALLATION
TELEPHONE INSTALLATION	TELEPHONE INSTALLATION
VEHICLE DETECTOR, INDUCTION LOOP	VEHICLE DETECTOR, INDUCTION LOOP
MAGNETIC DETECTOR	MAGNETIC DETECTOR
EMERGENCY VEHICLE LIGHT DETECTOR	EMERGENCY VEHICLE LIGHT DETECTOR
CONFIRMATION BEACON	CONFIRMATION BEACON
PUSHBUTTON DETECTOR	PUSHBUTTON DETECTOR
DENOTES NUMBER OF CONDUCTORS. ALL CABLE NO. 14 EXCEPT AS INDICATED. ALL LOOP DETECTOR CABLE TO BE SHIELDED.	DENOTES NUMBER OF CONDUCTORS. ALL CABLE NO. 14 EXCEPT AS INDICATED. ALL LOOP DETECTOR CABLE TO BE SHIELDED.
GROUND CABLE IN CONDUIT NO. 6 SOLID COPPER (GREEN)	GROUND CABLE IN CONDUIT NO. 6 SOLID COPPER (GREEN)
FIBER OPTIC CABLE IN CONDUIT NO. 62.5/125 2-MM12F SM12F	FIBER OPTIC CABLE IN CONDUIT NO. 62.5/125 2-MM12F SM12F
SIGNAL FACE WITH BACKPLATE. "P" INDICATES PROGRAMMED HEAD.	SIGNAL FACE WITH BACKPLATE. "P" INDICATES PROGRAMMED HEAD.
RAILROAD CONTROL CABINET	RAILROAD CONTROL CABINET
ILLUMINATED SIGN "NO LEFT TURN"	ILLUMINATED SIGN "NO LEFT TURN"
ILLUMINATED SIGN "NO RIGHT TURN"	ILLUMINATED SIGN "NO RIGHT TURN"
GROUND ROD AT HANDHOLE (H), DOUBLE HANDHOLE (H), OR CONTROLLER (C) OR MAST ARM POLE (MA)	GROUND ROD AT HANDHOLE (H), DOUBLE HANDHOLE (H), OR CONTROLLER (C) OR MAST ARM POLE (MA)
GROUND ROD AT POST (P) OR MAST ARM POLE (MA)	GROUND ROD AT POST (P) OR MAST ARM POLE (MA)
GROUND ROD AT ELECTRIC SERVICE INSTALLATION	GROUND ROD AT ELECTRIC SERVICE INSTALLATION
ILLUMINATED STREET NAME SIGN	ILLUMINATED STREET NAME SIGN
EMERGENCY VEHICLE SYSTEM ANTENNA	EMERGENCY VEHICLE SYSTEM ANTENNA
LUMINAIRE	LUMINAIRE
COAXIAL CABLE	COAXIAL CABLE
UNINTERRUPTABLE POWER SUPPLY	UNINTERRUPTABLE POWER SUPPLY

CONSTRUCTION NOTE:  
 ① INSTALL NEW FIBER OPTIC TRANSCEIVER.

NOTE:  
 PUSHBUTTON "A" SHALL PLACE A CALL IN PHASES 2 AND 4.  
 PUSHBUTTON "B" SHALL PLACE A CALL IN PHASES 4 AND 6.  
 PUSHBUTTON "D" SHALL PLACE A CALL IN PHASES 2 AND 8.

NOTE:  
 THE TRAFFIC SIGNAL CONTROLLER EQUIPMENT FOR THIS PROJECT SHALL BE "ECONOLITE" TO MATCH THE EXISTING ADJACENT SYSTEM.

REVISIONS	
NAME	DATE

ILLINOIS DEPARTMENT OF TRANSPORTATION  
**SCHEDULE OF QUANTITIES, CABLE PLAN AND PHASE DESIGNATION DIAGRAM**  
 BOUGHTON ROAD AND PALMER DRIVE  
 BOLINGBROOK, ILLINOIS  
 SCALE: N.T.S.  
 DATE: 4/7/2006  
 DRAWN BY: FCP/FPB  
 DESIGNED BY: MKW  
 CHECKED BY: MJT

CHRISTOPHER B. BURKE ENGINEERING LTD.  
 5575 West Higgins Road, Suite 600  
 Rosemont, Illinois 60018  
 (847) 823-0500  
 PROJECT NO. 05559-TRAFFIC-CAB-Palmer.dgn  
 DATE: 4/7/2006  
 BY: MKW  
 CHECKED: MJT  
 DESIGNED: FCP/FPB  
 DRAWN: FCP/FPB  
 DATE: 4/7/2006