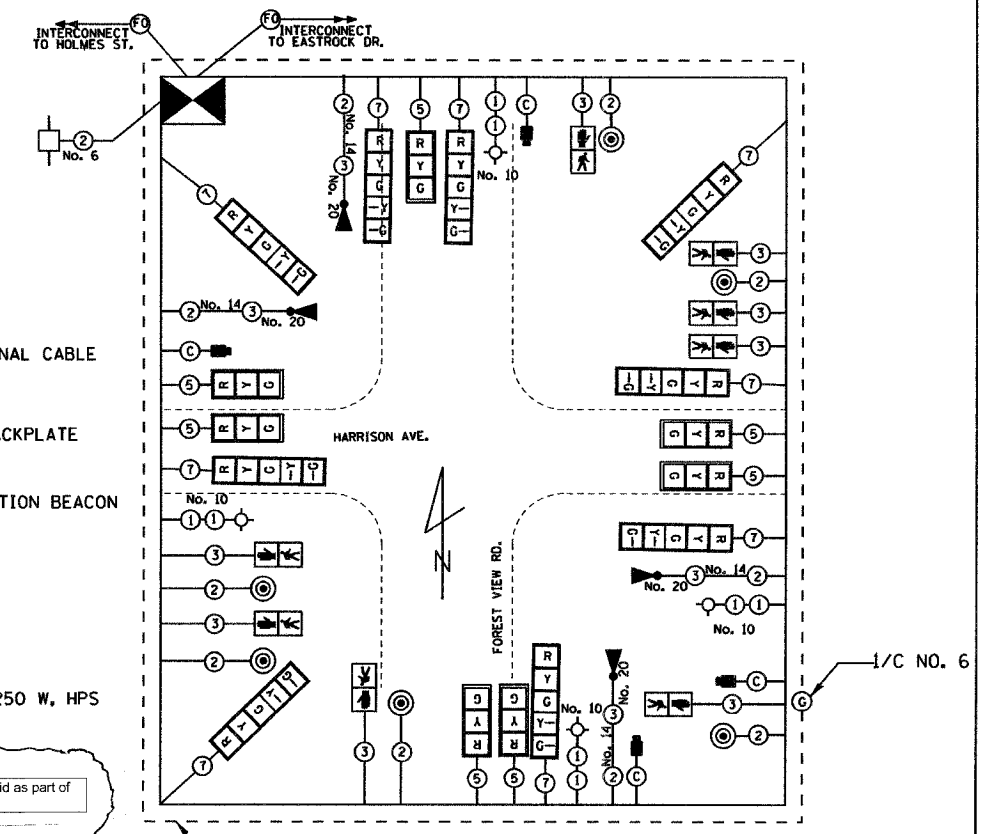
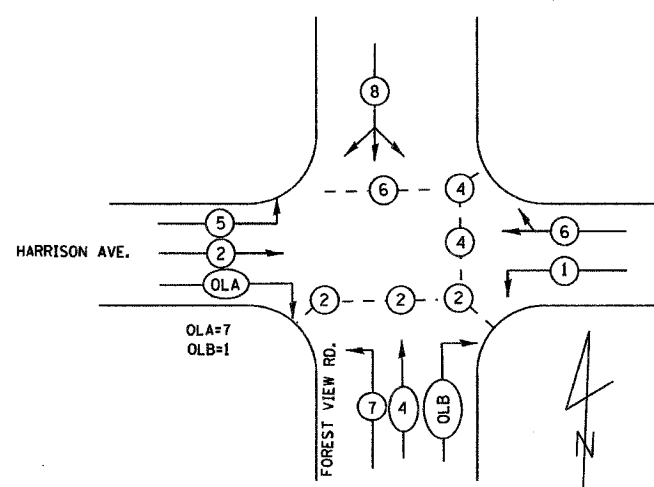


E.A. RTE.	SECTION	COUNTY	TOTAL SHEETS	SHEET NO.
303	03-00520-00-WR	WINNEBAGO	254	180
STA.	TO STA.			
FED. ROAD DIST. NO.	ILLINOIS	FED. AID PROJECT		

WIRING DIAGRAM

PHASE DESIGNATION DIAGRAM



LEGEND

- ③ NO. OF CONDUCTORS IN SIGNAL CABLE
- TRAFFIC SIGNAL HEAD W/BACKPLATE
- LIGHT DETECTOR AND CONFIRMATION BEACON
- PEDESTRIAN PUSH BUTTON
- PEDESTRIAN SIGNAL HEAD
- LUMINAIRE, SODIUM VAPOR 250 W, HPS

LEGEND

- STEEL COMBINATION MAST ARM ASSEMBLY AND POLE
- PEDESTRIAN PUSH BUTTON
- PEDESTRIAN SIGNAL HEAD
- VIDEO DETECTION CAMERA
- TRAFFIC SIGNAL HEAD
- EMERGENCY VEHICLE LIGHT DETECTOR

PROPOSED EMERGENCY VEHICLE PREEMPTORS			
EMERGENCY VEHICLE PREEMPTOR	1	2	3
MOVEMENT			

1=2+5  
2=1+6  
3=4+8

"Note: Lighting items are shown for information only. These items will be bid as part of a separate project."

