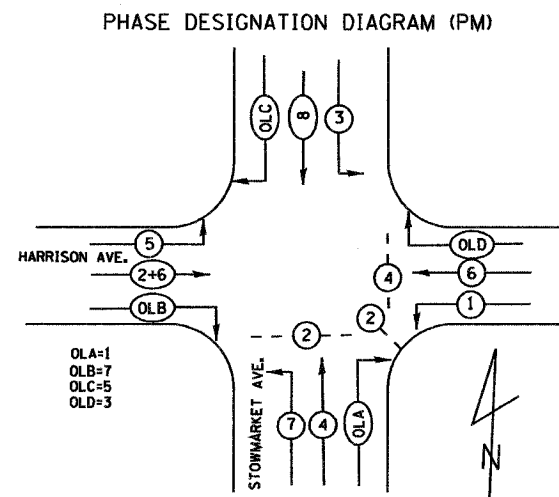


SECTION	COUNTY	TOTAL SHEETS	SHEET NO.
303 03-00520-00-WR	WINNEBAGO	254	186
STA. TO STA.			
FED. ROAD DIST. NO.		ILLINOIS FED. AID PROJECT	

WIRING DIAGRAM

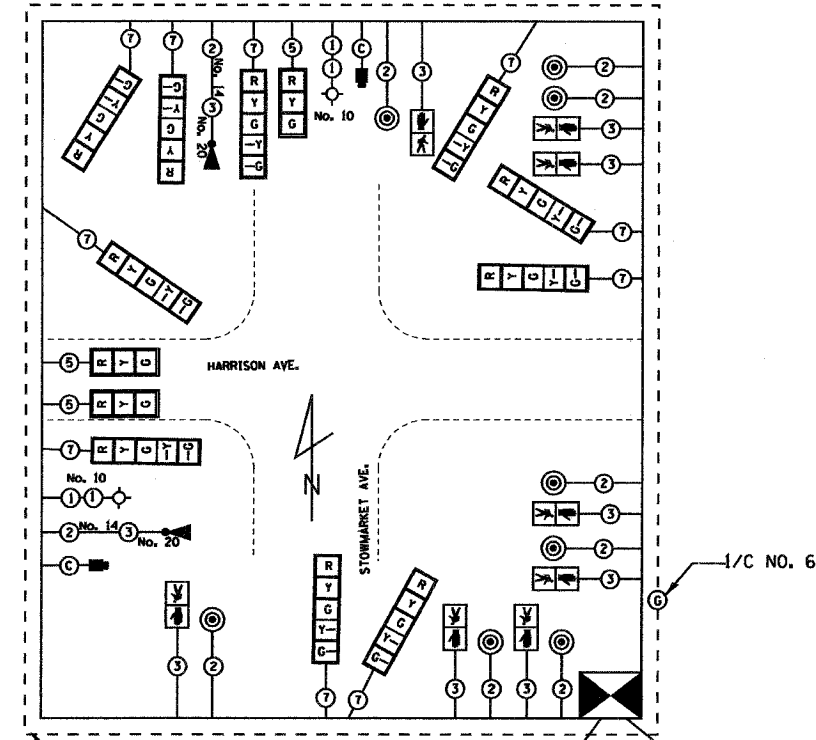


PROPOSED EMERGENCY VEHICLE PREEMPTORS			
EMERGENCY VEHICLE PREEMPTOR	1	2	3
MOVEMENT	≡	≡	≡

1=2+5  
2=1+6  
3=4+8

"Note: Lighting items are shown for information only. These items will be bid as part of a separate project."

Added 6.9.06



GROUNDING CIRCUIT AS PER ST'D. 873001

- LEGEND
- ③ NO. OF CONDUCTORS IN SIGNAL CABLE
  - |   |
|---|
| R |
| Y |
| G |

 TRAFFIC SIGNAL HEAD W/BACKPLATE
  - ▶ EMERGENCY PREEMPT LIGHT DETECTOR AND CONFIRMATION BEACON
  - ⊙ PEDESTRIAN PUSH BUTTON
  - |   |
|---|
| ↓ |
| ↑ |

 PEDESTRIAN SIGNAL HEAD
  - ⊙ LUMINAIRE, SODIUM VAPOR 250 W, HPS
  - No. 10 VIDEO DETECTION CAMERA
  - ⊙ VIDEO SURVEILLANCE CAMERA