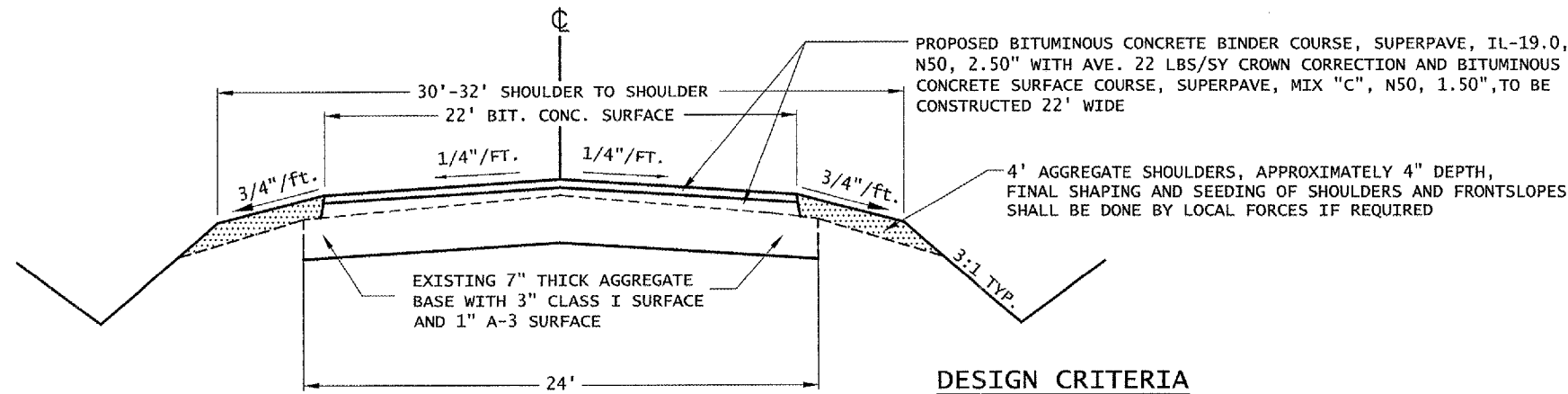


NOT PLOTTED TO SCALE

ROUTE NO.	SECTION	COUNTY	TOTAL SHEETS	SHEET NO.
343 & 1362	01-00025-04-RS	LIVINGSTON	12	2

PROJECT NO. SR-343(108)



TYPICAL CROSS SECTION

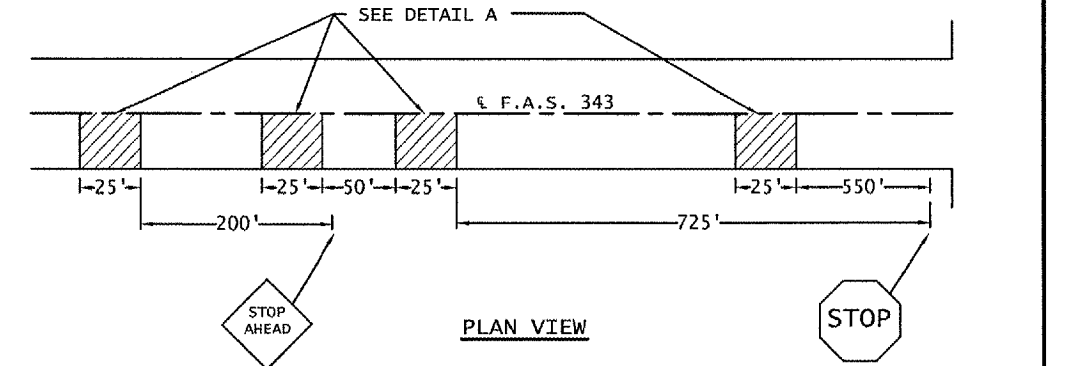
Sta. 530+15 to 982+27.5(FAS RTE 343)
(See Sht. 9 for Transition & Taper Details)

DESIGN CRITERIA

STRUCTURAL DESIGN TRAFFIC (S.D.T.):80,000#, CLASS III
YEAR 2014: PV 572 , SU 46, MU 33
MINIMUM SOIL SUPPORT: IBR = 3.00
T.F. = 0.132; Dt = 3.0

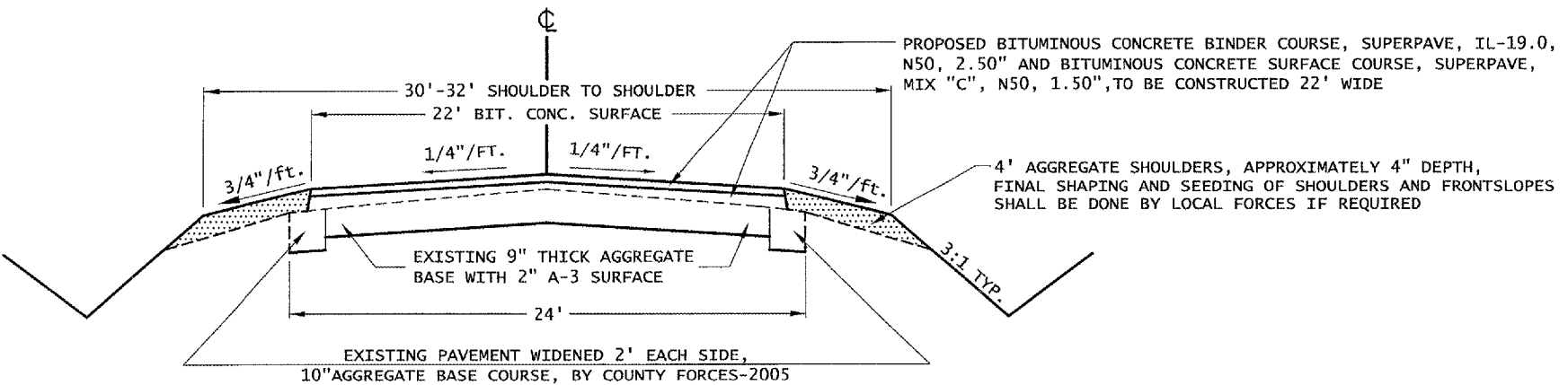
PAVEMENT STRUCTURAL MATERIALS:

TYPE	DEPTH	a
EXISTING 7" AGGREGATE TY. B-CRUSHED	7 "	0.08
EXISTING A-3 SURFACE	1 "	0.15
EXISTING CLASS I SURFACE	3 "	0.30
NEW BINDER, SUPERPAVE N50	2 1/2 "	0.32
NEW SURFACE, SUPERPAVE N50	1 1/2 "	0.40



DETAIL A - PLAN VIEW

**GROOVED RUMBLE STRIP APPLICATION
IN ADVANCE OF IL RT 116 INTERSECTION**



TYPICAL CROSS SECTION

Sta. 0+11 to 35+30(FAS RTE 1362)
(See Sht. 9 for Transition & Taper Details)

DESIGN CRITERIA

STRUCTURAL DESIGN TRAFFIC (S.D.T.):80,000#, CLASS III
YEAR 2014: PV 154 , SU 12, MU 8
MINIMUM SOIL SUPPORT: IBR = 3.00
T.F. = 0.035; Dt = 2.4

PAVEMENT STRUCTURAL MATERIALS:

TYPE	DEPTH	a
EXISTING 9" AGGREGATE TY. B-CRUSHED	9 "	0.08
EXISTING A-3 SURFACE	2 "	0.15
NEW BINDER, SUPERPAVE N50	2 1/2 "	0.32
NEW SURFACE, SUPERPAVE N50	1 1/2 "	0.40

SCHEDULE OF PAINT PAVEMENT MARK 4"			
LOCATION STATION TO STATION	NO PASSING ZONE		SKIP DASH
	NBL	SBL	€
<i>BEGIN CH 3</i>			
530+15 to 546+46			408
546+46 to 552+80		634	159
552+80 to 557+14			109
557+14 to 562+65	551		138
562+65 to 567+45			120
567+45 to 574+06		661	165
574+06 to 579+19			128
579+19 to 585+48	629		157
585+48 to 914+31			8,221
914+31 to 920+60		629	157
920+60 to 925+41			120
925+41 to 931+72	631		158
931+72 to 943+49			294
943+49 to 952+15		866	217
952+15 to 954+10	195	195	
954+10 to 961+04	694		174
961+04 to 979+81			469
979+81 to 982+27		246	62
<i>END CH 3</i>			
<i>BEGIN CH9</i>			
0+11 to 21+95	EBL	WBL	€
21+95 to 26+16	421		105
26+16 to 26+62			12
26+62 to 30+51		389	97
30+51 to 35+30			120
<i>END CH 9</i>			
TOTALS	3,121	3,620	12,136
TOTAL PAY QUANTITY		18,877	FOOT
<i>RR Symbols & 24" Stripes - Charlotte</i>		<i>SQ FT</i>	<i>FOOT</i>
78001100 - PT PVT MK LTRS & SYMB		122.4	
78001180 - PAINT PVT MK LINE 24			44