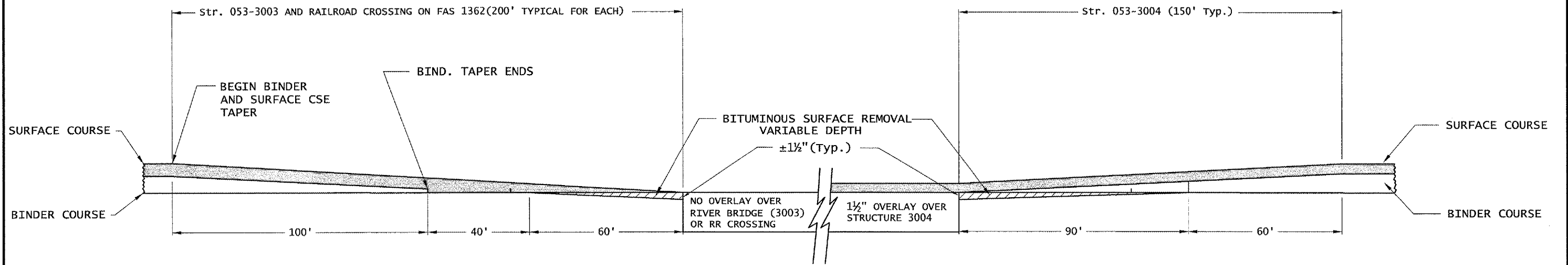


ROUTE NO.	SECTION	COUNTY	TOTAL SHEETS	SHEET NO.
343 & 1362	01-00025-04-RS	LIVINGSTON	12	9

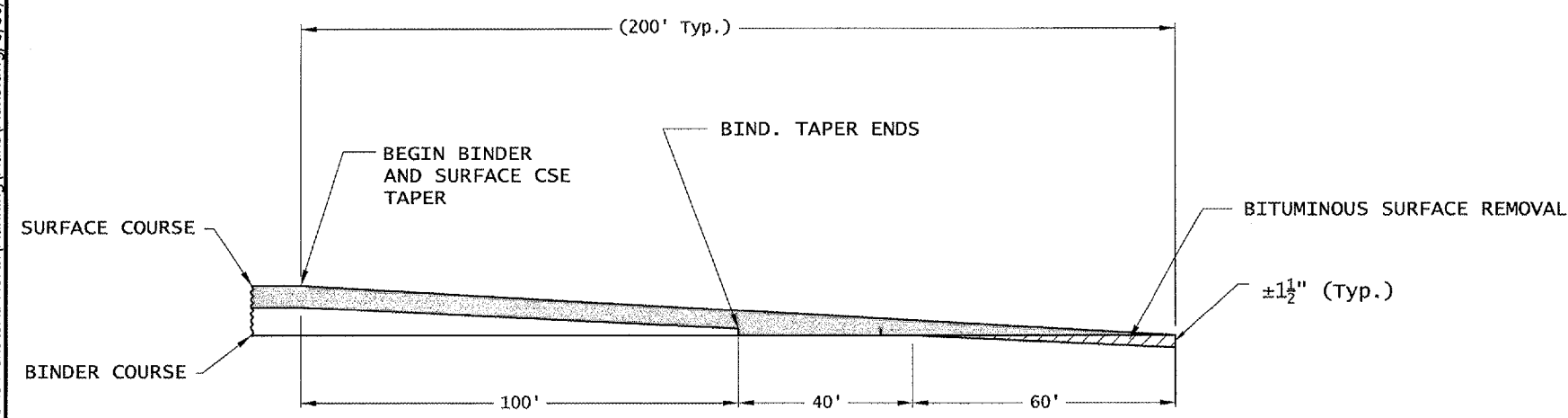
PROJECT NO. SR-343(108)

NOT PLOTTED TO SCALE



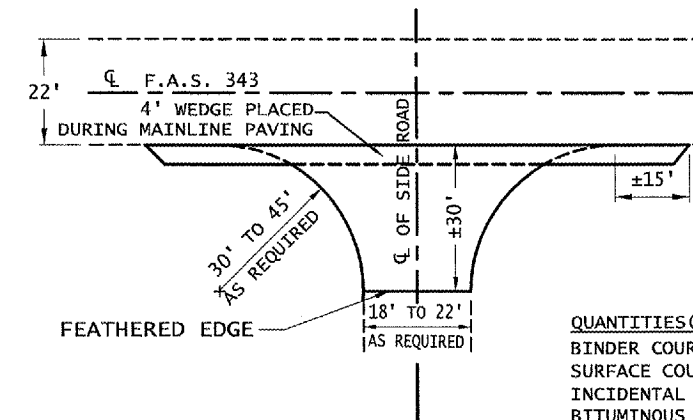
**TRANSITION DETAIL AT BRIDGES AND RAILROAD CROSSING (NTS)**

(NO TAPERS AT STRUCTURES 053-5010 & 5008 - FULL OVERLAY)



**ENDING TAPER (NTS)**

Sta. 980+27.5 TO 982+27.5 (FAS RTE. 343)  
Sta. 33+30 TO 35+30 (FAS RTE. 1362)



**QUANTITIES (AVERAGE)**  
BINDER COURSE = 7 TON  
SURFACE COURSE = 4 TON  
INCIDENTAL BITUMINOUS = 15.0 TON  
BITUMINOUS MATERIALS = 9.0 GALLON  
(PRIME COAT)

**TYPICAL SIDE ROAD INTERSECTION (NTS)**

- STA. 583+04 LT. + RT. (1600N)
- STA. 662+50 LT. (1450N)
- STA. 741+80 LT. (1300N, CH9)
- STA. 847+75 LT.
- STA. 953+40 LT. + RT. (900N)
- STA. 636+13 RT. (1500N)
- STA. 688+50 LT. + RT. (1400N)
- STA. 794+78 LT. + RT. (1200N)
- STA. 900+62 LT. + RT. (1000N)