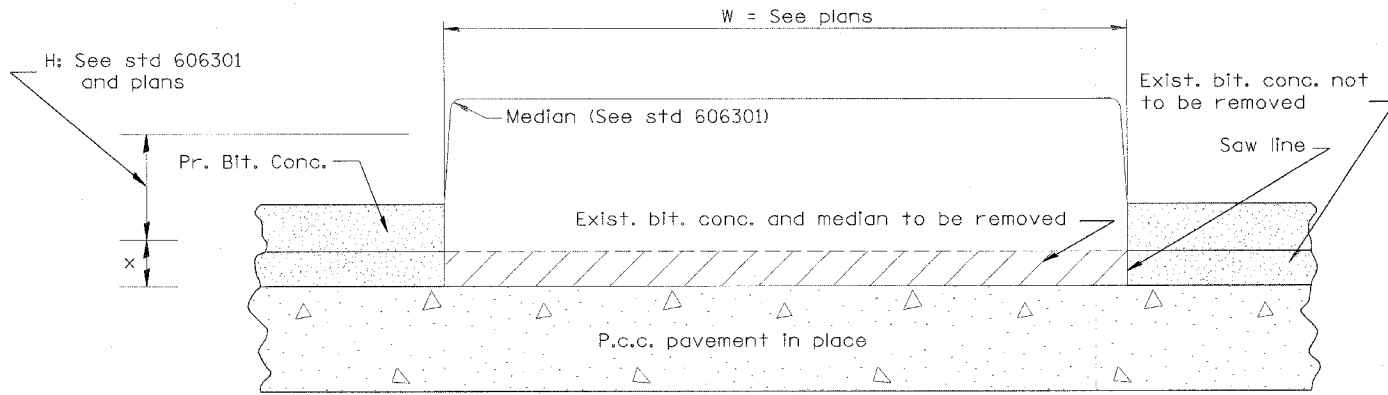


F.A.P. RTE.	SECTION	COUNTY	TOTAL SHEETS	SHEET NO.
669	11W-3,RS-8,*	TAZEWELL	442	227
STA.		TO STA.		
FED. ROAD DIST. NO.		ILLINOIS	FED. AID PROJECT	

\* 11BR-1, 11BR-2



**CONCRETE MEDIAN, TYPE SM-4.06**  
(CONSTRUCTED ON TOP OF EXISTING PAVEMENT)  
STA 333+00 TO STA 334+00

**LEGEND**

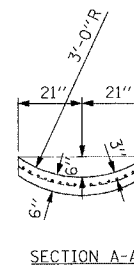
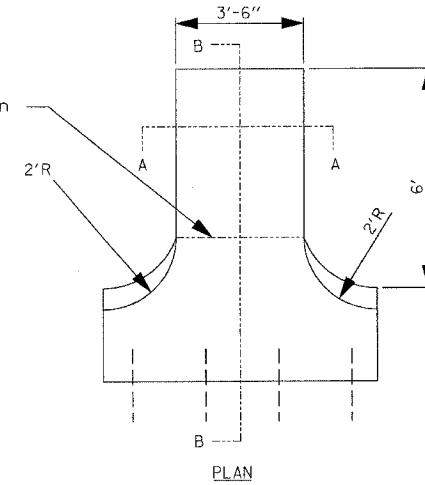
- X = thickness of proposed overlay (see plans)
- H = height of median (see std 606301 and plans)
- W = width of median (see plans)

**GENERAL NOTES:**

1. This work shall consist of constructing a concrete median, type SM-4.06 of variable width as shown on the plans and in accordance to the applicable portions of section 606 of the Standard Specifications and Standard 606301.

All dimensions are in inches unless otherwise noted.

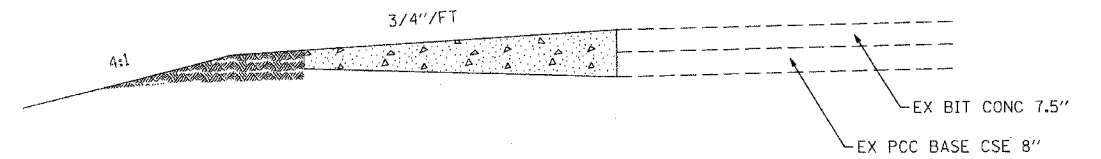
Weilded wire fabric weighing not less than 58 lbs./100 sq. ft. to begin here.



**GENERAL NOTES**

Tie bars shall be No. 6 at 24" centers unless otherwise shown.

Gutter outlet shall be tied to the pavement in accordance with details for longitudinal construction joint shown on Standard 420001.



**SECTION B-B**

**DETAIL GUTTER OUTLET**  
LT STA 335+01.50

REVISIONS	
NAME	DATE

ILLINOIS DEPARTMENT OF TRANSPORTATION

**GUTTER OUTLET & MEDIAN DETAILS**

SCALE: VERT.  
HORIZ.  
DATE

DRAWN BY  
CHECKED BY