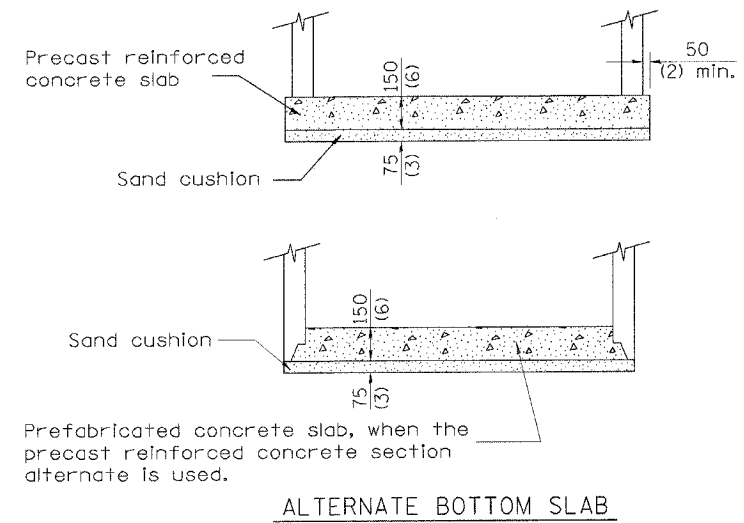
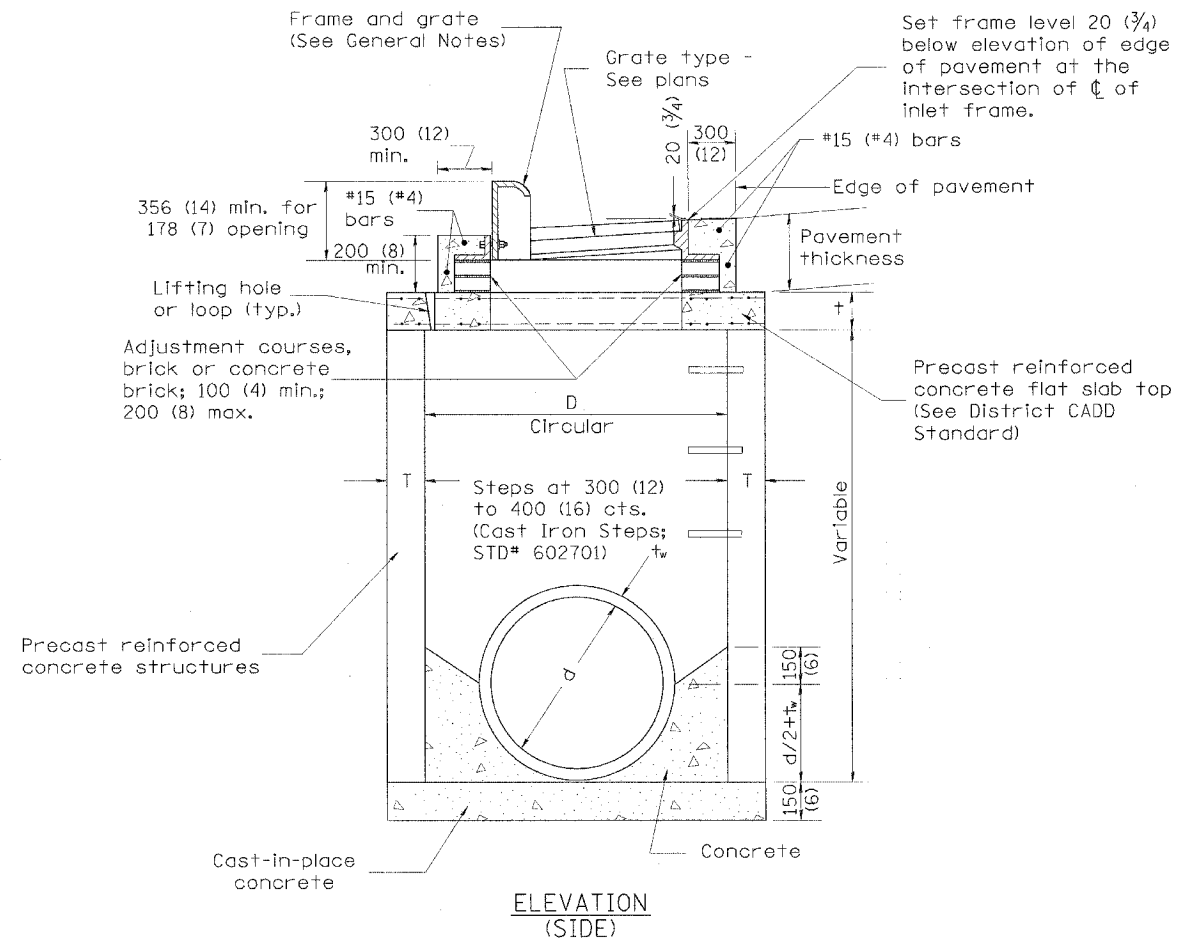


F.A.P. RTE.	SECTION	COUNTY	TOTAL SHEETS	SHEET NO.
669	11W-3,RS-8,*	TAZEWELL	442	230
STA.		TO STA.		
FED. ROAD DIST. NO.		ILLINOIS FED. AID PROJECT		
* 11BR-1, 11BR-2				



PLOT DATE = 4/18/2006
 PLOT SCALE = 1/8" = 1'-0"
 PLOT SCALE = 1/8" = 1'-0"
 REFERENCE = #REF#

All dimensions are in millimeters (inches) unless otherwise noted.

REVISIONS	
NAME	DATE

ILLINOIS DEPARTMENT OF TRANSPORTATION

**INLET-MANHOLE,
 TYPE G-1, DOUBLE,
 SPECIAL**

SCALE: VERT.
 HORIZ.
 DATE

DRAWN BY
 CHECKED BY