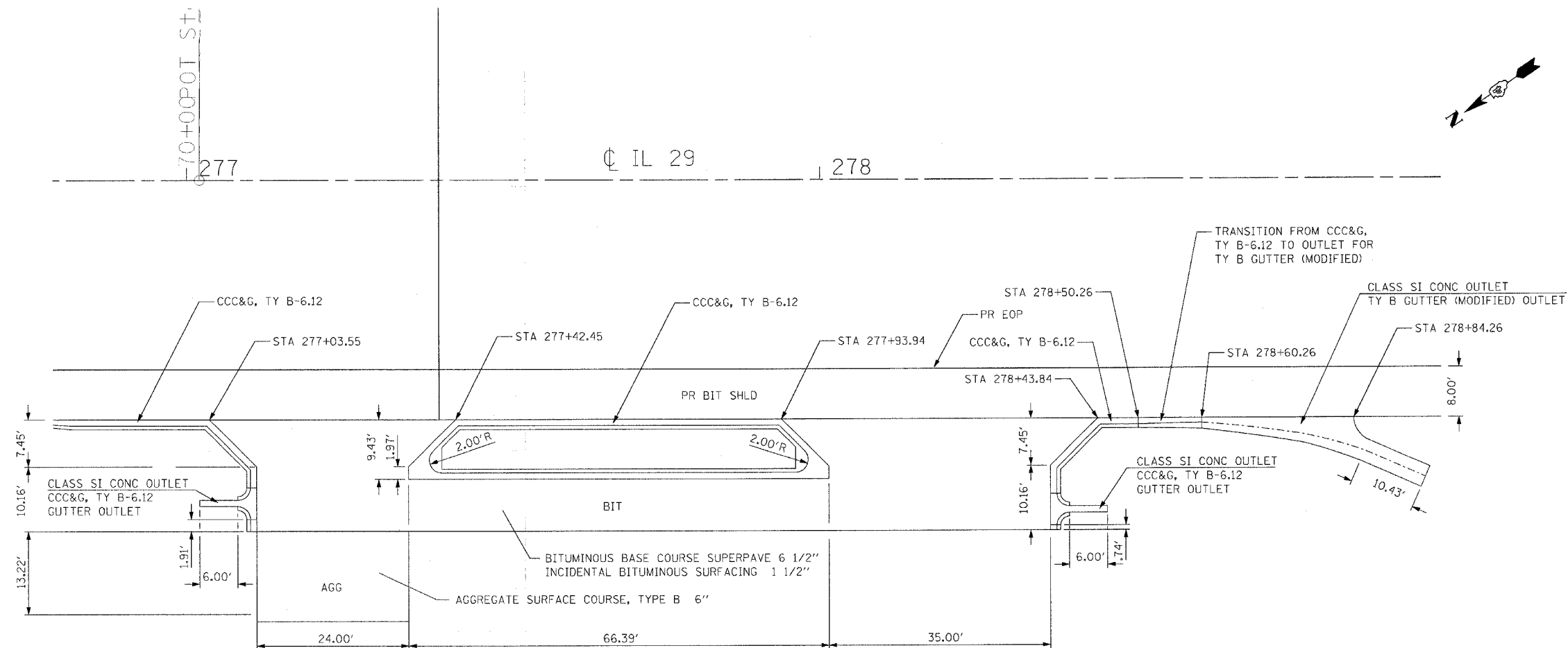


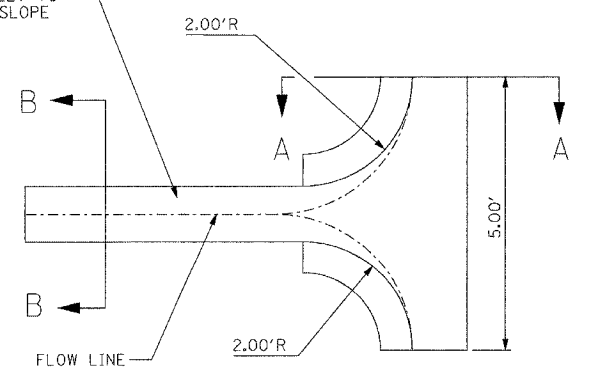
F.A.P. RTE.	SECTION	COUNTY	TOTAL SHEETS	SHEET NO.
669	11W-3,RS-8,*	TAZEWELL	442	232
STA.		TO STA.		
FED. ROAD DIST. NO.		ILLINOIS	FED. AID PROJECT	

• 11BR-1, 11BR-2

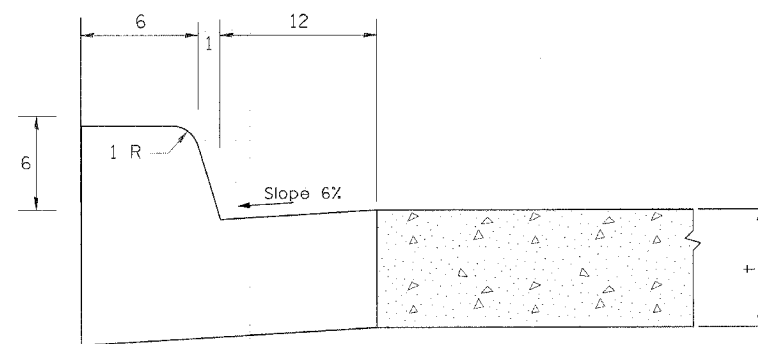


OLD HERITAGE LANDSCAPING  
NORTH ENTRANCES

EDGE OF OUTLET TO CONFORM TO SLOPE OF SHOULDER



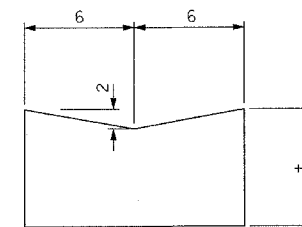
CLASS SI CONCRETE OUTLET  
CCC&G, TY B-6.12 GUTTER OUTLET



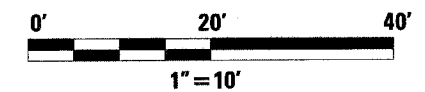
SECTION A - A

GENERAL NOTES

+ = Thickness of pavement.  
NOT TO SCALE  
Dimensions are in inches unless shown otherwise.



SECTION B - B



REVISIONS	
NAME	DATE

ILLINOIS DEPARTMENT OF TRANSPORTATION

**ENTRANCE  
DETAILS**

SCALE: VERT.  
HORIZ.  
DATE

DRAWN BY  
CHECKED BY