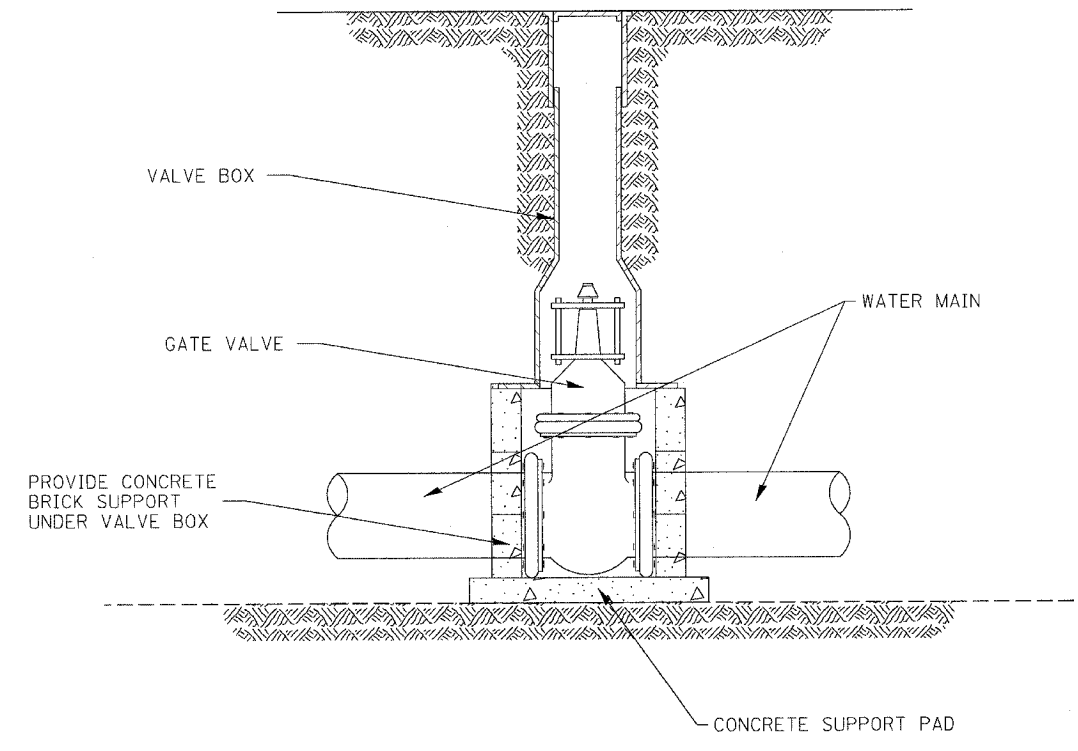
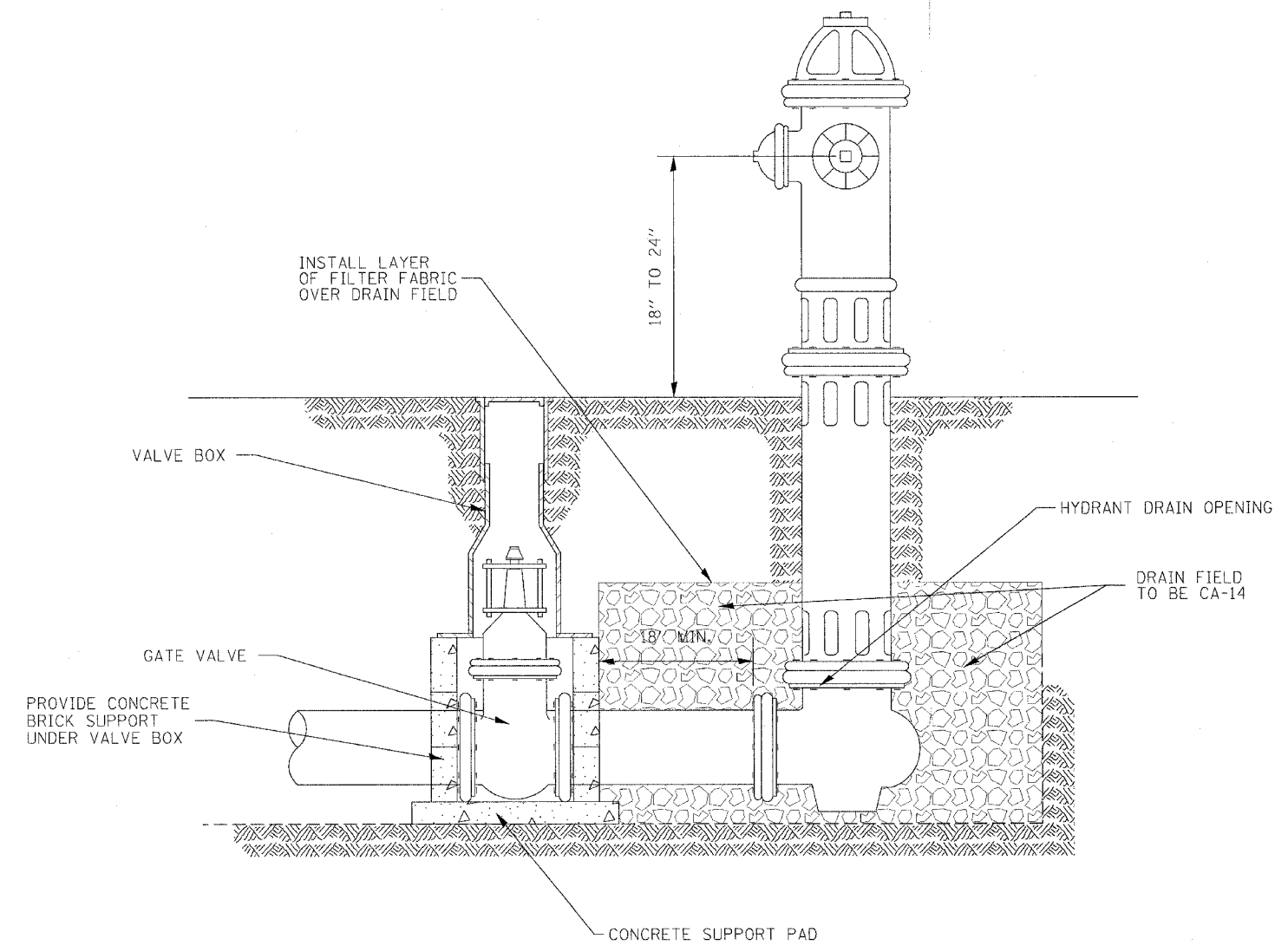


F.A.P. RTE.	SECTION	COUNTY	TOTAL SHEETS	SHEET NO.
669	11W-3,RS-8,*	TAZEWELL	442	238
STA.		TO STA.		
FED. ROAD DIST. NO.	ILLINOIS	FED. AID PROJECT		



- NOTES:
1. CONCRETE BASE AND BLOCKING MATERIAL SHALL NOT BLOCK NOR OBSTRUCT HYDRANT DRAIN OR ACCESS TO JOINTS FOR FUTURE REPAIRS
 2. PROVIDE MECHANICAL ANCHOR COUPLINGS BETWEEN THE VALVE AND THE HYDRANT AND THE MAIN AND THE VALVE
 3. VALVE BOX SHALL BE SUPPORTED SUCH THAT IT DOES NOT REST DIRECTLY ON THE VALVE OR THE WATER MAIN

REVISIONS	
NAME	DATE

ILLINOIS DEPARTMENT OF TRANSPORTATION

**WATER MAIN DETAILS -
TYPICAL VALVE BOX AND
HYDRANT INSTALLATION**

SCALE: VERT. NOT TO SCALE
HORIZ. NOT TO SCALE

DATE _____ DRAWN BY _____
CHECKED BY _____

PLOT DATE = 4/18/2006
 PLOT SCALE = 1/8" = 1'-0"
 PLOT SCALE = 1/8" = 1'-0"
 REFERENCE = #REF#