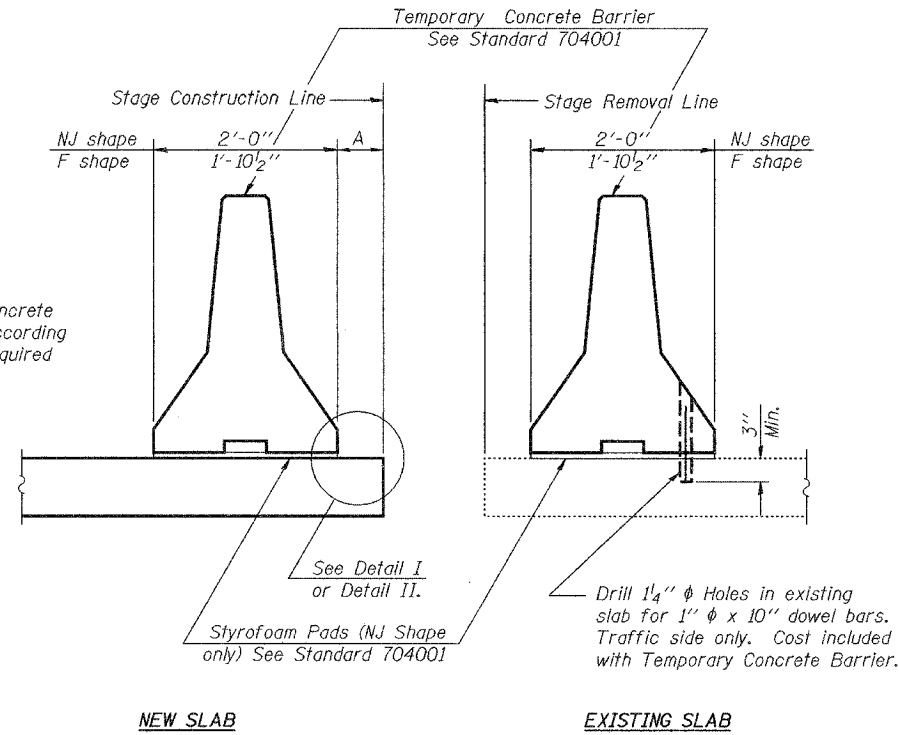


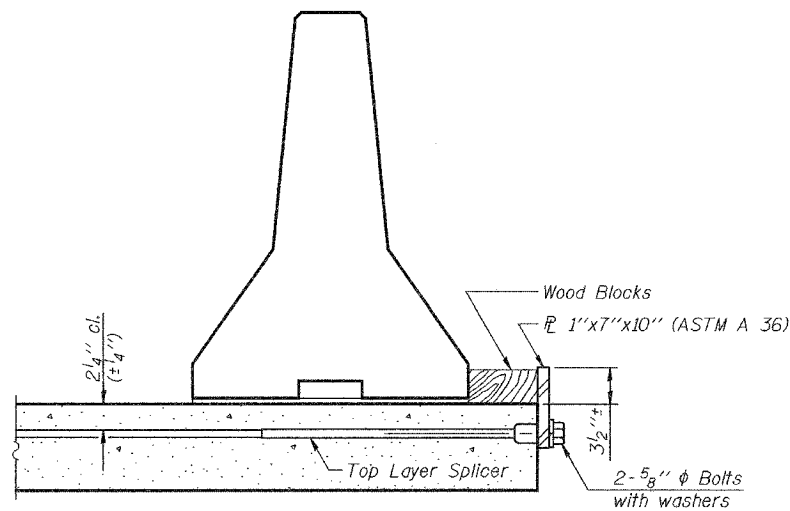
STATE OF ILLINOIS
DEPARTMENT OF TRANSPORTATION

ROUTE NO.	SECTION	COUNTY	TOTAL SHEETS	SHEET NO.
F.A.P. 669	IIBR-1	TAZEWELL	442	273
FED. ROAD DIST. NO. 7	ILLINOIS	FED. AID PROJECT-		

Contract #88804

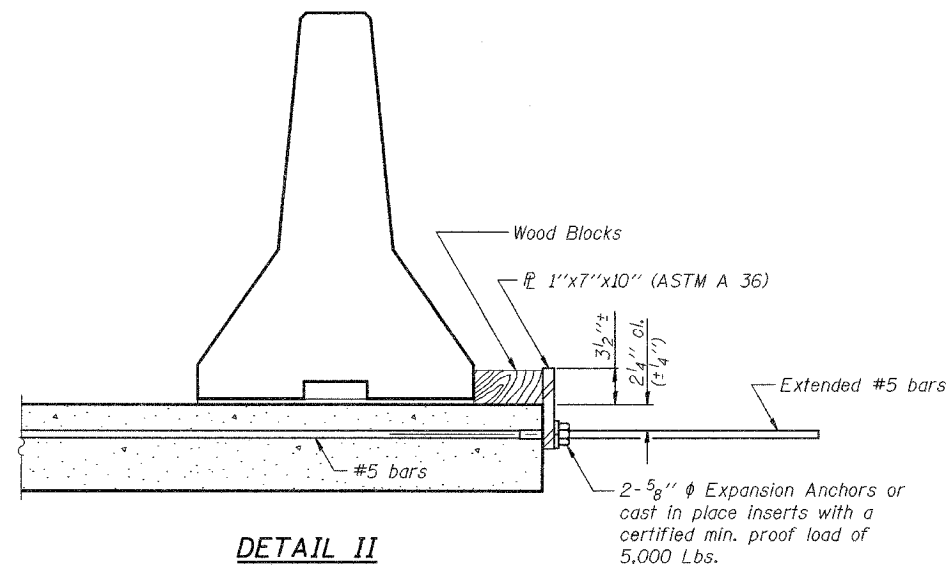


SECTIONS THRU SLAB



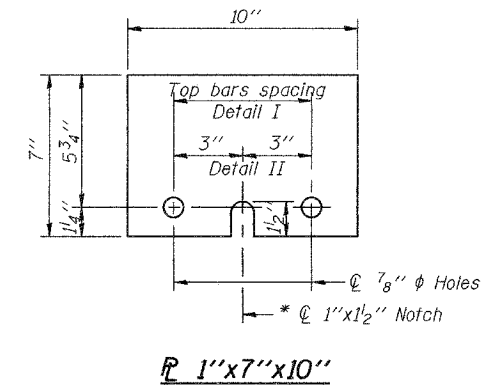
DETAIL I

The 1" x 7" x 10" Plate shall not be removed until Stage II Construction forms and reinforcement bars are in place.



DETAIL II

The 1" x 7" x 10" Plate shall not be removed until Stage II Construction forms and all reinforcement bars are in place and the concrete is ready to be placed.



* Required only with Detail II

DESIGNED	T.L.K.
CHECKED	A.M.J.
DRAWN	BECKY M. LEACH
CHECKED	A.M.J. & P.E.C.

EXAMINED	May 10, 2006
PASSED	

Thomas J. Domagalala
ENGINEER OF BRIDGES AND STRUCTURES

Ronald E. Anderson
ENGINEER OF BRIDGES AND STRUCTURES

R-27 10-22-04

TEMPORARY CONCRETE BARRIER
FOR STAGE CONSTRUCTION
F.A.P. ROUTE 669 - SEC. IIBR-1
TAZEWELL COUNTY
STATION 301+87.90
STRUCTURE NO. 090-0172