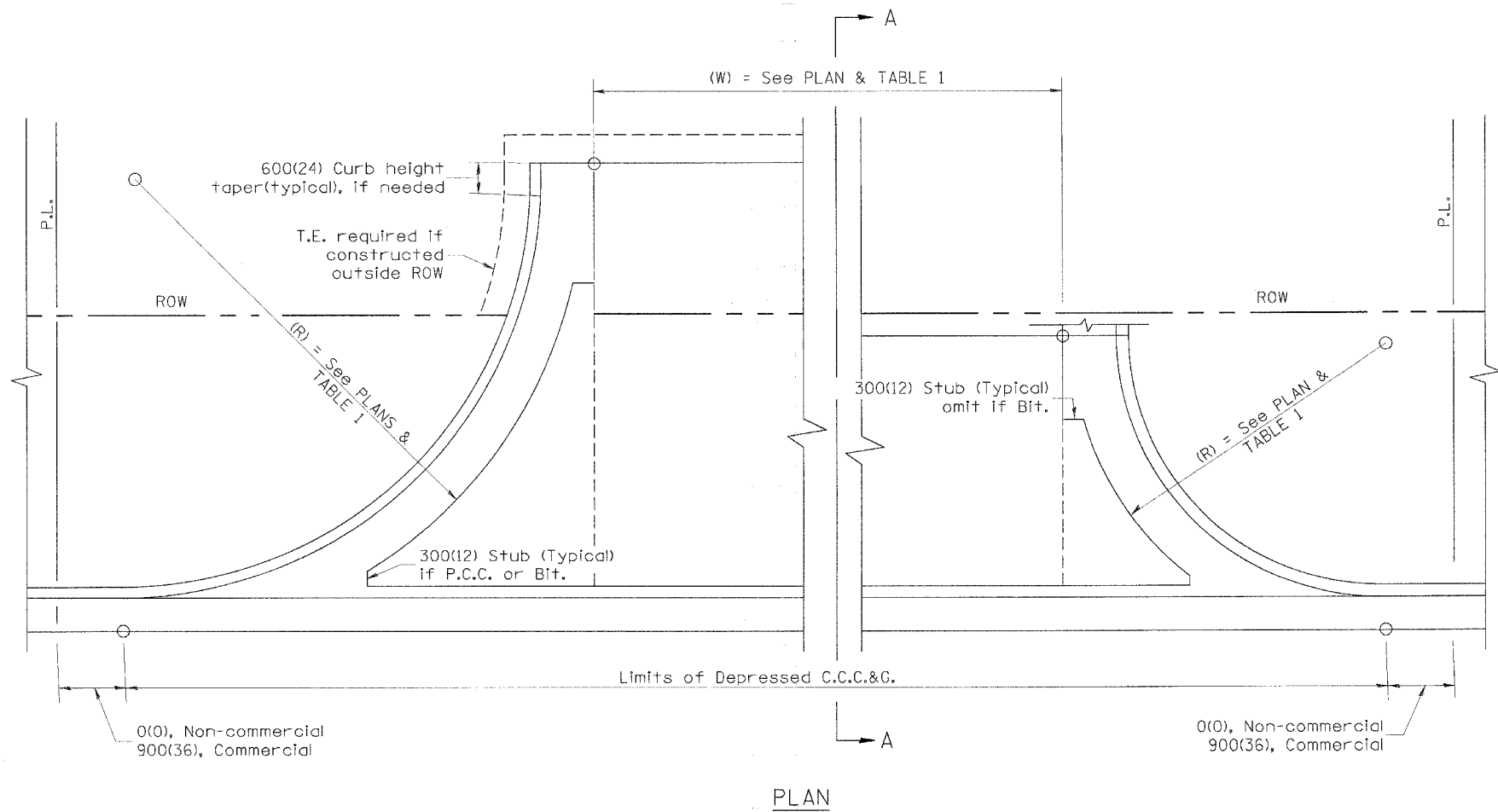
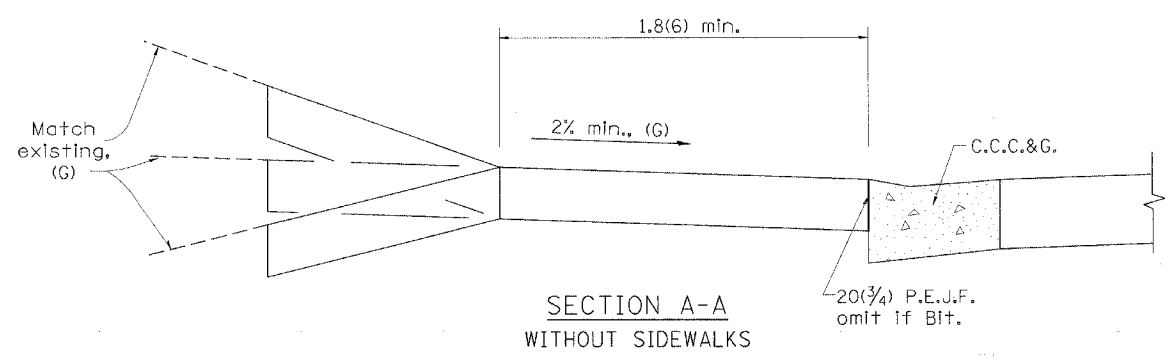


F.A.P. RTE.	SECTION	COUNTY	TOTAL SHEETS	SHEET NO.
669	11W-3,RS-8,*	TAZEWELL	442	311
STA.		TO STA.		
FED. ROAD DIST. NO.	ILLINOIS	FED. AID PROJECT		
*11BR-1,11BR-2				

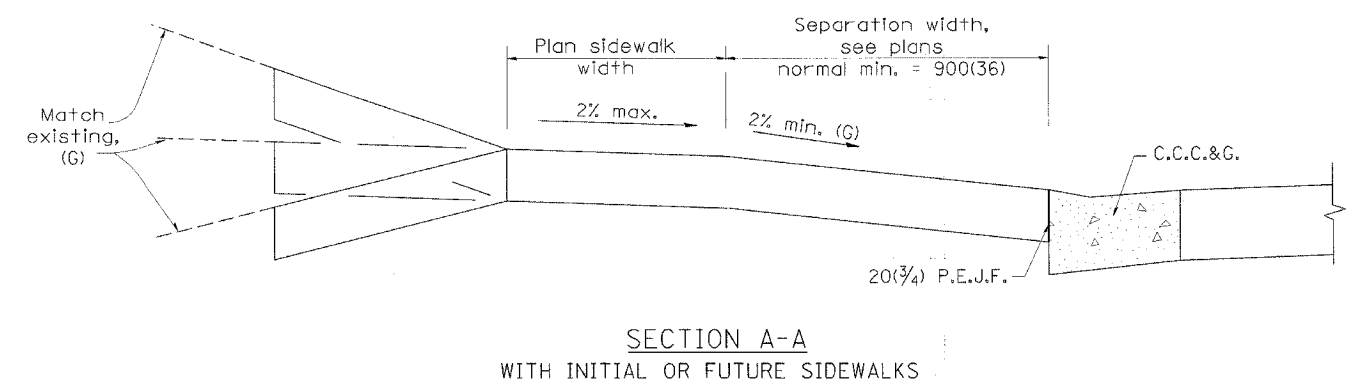


GENERAL NOTES

- C.C.C.&G. will be measured for pavement as specified in Article 606.13 of the Standard Specifications.
- C.C.C.&G. Construction Joints will be as shown on Standard 606001.



ELEMENT	NON-COMMERCIAL		COMMERCIAL			
			1-WAY OPERATION		2-WAY OPERATION	
WIDTH (W)	3.6 m(12') MIN.	7.2 m(24') MAX.	4.3 m(14') MIN.	7.2 m(24') MAX.	7.2 m(24') MIN.	10.7 m(35') MAX.
RADIUS EQUIVALENT 1:1 FLARE (F)	1.5 m(5') MIN.	7.6 m(25') MAX.	4.6 m(15') MIN.	12.0 m(40') MAX.	4.6 m(15') MIN.	12.0 m(40') MAX.
MAX. GRADE (G)	8%		6%			



All dimensions are in millimeters (inches) unless otherwise noted.

ILLINOIS DEPARTMENT OF TRANSPORTATION
DISTRICT CADD STANDARD

SUBURBAN ENTRANCES WITH CURBED RADII

CADD STD NO. 423001-D4
SCALE: NOT DRAWN TO SCALE DRAWN BY CADD
DATE **DATE** CHECKED BY

DATE	REVISIONS	BY
1-1-97	RENUM. C-103.05, NEW REVISION BOX,	T.P.
	REVISED GENERAL NOTES	
9-15-05	REVISED DESIGNER NOTE	M.M.A.

DESIGNER NOTE
 1. DESIGNER SHOULD REVIEW "HANDBOOK FOR THE POLICY ON PERMITS FOR ACCESS DRIVEWAYS TO STATE HIGHWAYS"
 2. DESIGNER SHOULD REVIEW CHAPTER 58 OF THE BDE FOR ADA REQUIREMENTS
 3. INCLUDE STATE STANDARD 424001 IF SIDEWALKS ARE TO BE CONSTRUCTED INITIALLY.
 4. INCLUDE STATE STANDARD 606001.

\$\$\$DATE\$\$\$