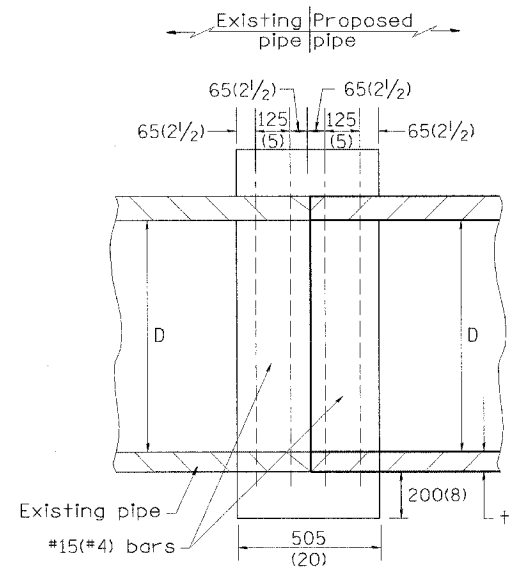
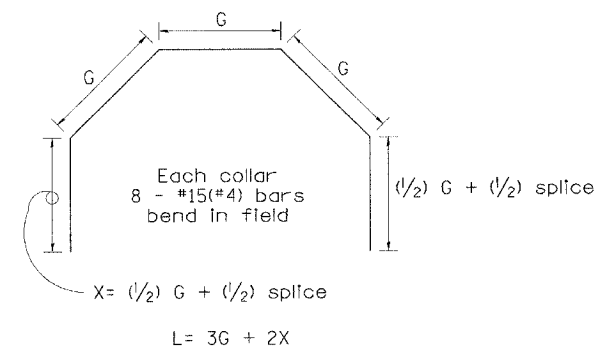
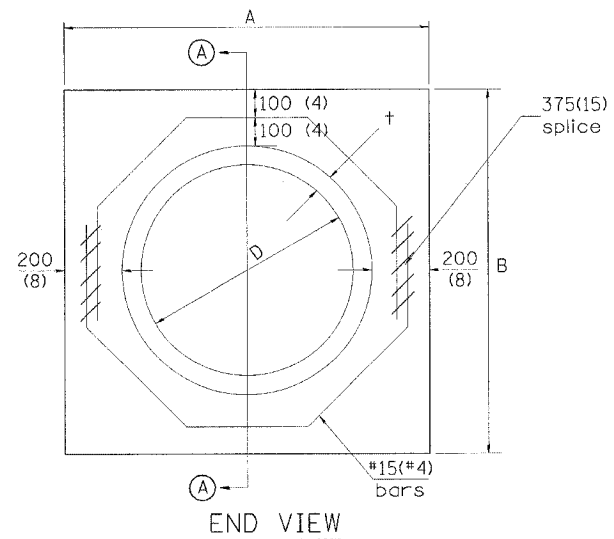


F.A.P. RTE.	SECTION	COUNTY	TOTAL SHEETS	SHEET NO.
669	11W-3,RS-8,*	TAZEWELL	442	314
STA.		TO STA.		
FED. ROAD DIST. NO.		ILLINOIS	FED. AID PROJECT	

*11BR-1,11BR-2



SECTION A - A



Each Collar								
Reinforcement Bars								
D	+	A	B	CL. SI CONC.	G	X	L	Weight
m (in)	m (in)	m (ft)	m (ft)	m ³ (cu. yd)	m (in)	m (in)	m (ft)	kg (lb)
300 (12)	51 (2.00)	0.814 (2.67)	0.814 (2.67)	0.270 (0.4)	253 (9 15/16)	317 (12 7/16)	1.393 (4.57)	11 (24)
375 (15)	57 (2.25)	0.902 (2.96)	0.902 (2.96)	0.315 (0.4)	290 (11 3/8)	335 (13 3/16)	1.541 (5.05)	12 (27)
450 (18)	64 (2.50)	0.991 (3.25)	0.991 (3.25)	0.362 (0.5)	327 (12 13/16)	354 (13 7/8)	1.689 (5.54)	14 (30)
525 (21)	70 (2.75)	1.079 (3.54)	1.079 (3.54)	0.411 (0.5)	364 (14 1/4)	372 (14 5/8)	1.836 (6.02)	15 (32)
600 (24)	76 (3.00)	1.167 (3.83)	1.167 (3.84)	0.460 (0.6)	401 (15 11/16)	391 (15 5/8)	1.984 (6.51)	16 (35)
675 (27)	83 (3.25)	1.259 (4.13)	1.259 (4.13)	0.516 (0.7)	438 (17 1/4)	409 (16 1/16)	2.131 (6.99)	17 (37)
750 (30)	89 (3.50)	1.347 (4.42)	1.347 (4.42)	0.570 (0.7)	475 (18 11/16)	428 (16 3/4)	2.279 (7.48)	18 (40)
825 (33)	95 (3.75)	1.436 (4.71)	1.436 (4.71)	0.624 (0.8)	512 (20 1/8)	446 (17 1/2)	2.426 (7.96)	19 (43)
900 (36)	102 (4.00)	1.524 (5.00)	1.524 (5.00)	0.682 (0.9)	549 (21 9/16)	465 (18 3/16)	2.574 (8.44)	20 (45)
1050 (42)	114 (4.50)	1.701 (5.58)	1.701 (5.58)	0.800 (1.0)	622 (24 7/16)	501 (19 3/4)	2.869 (9.41)	23 (50)
1200 (48)	127 (5.00)	1.881 (6.17)	1.881 (6.17)	0.930 (1.2)	696 (27 5/16)	538 (21 3/16)	3.164 (10.38)	25 (55)

GENERAL NOTES

1. THE COLLAR SHALL BE CONSTRUCTED ENTIRELY OF CLASS SI CONCRETE IN ACCORDANCE WITH THE APPLICABLE PORTIONS OF SECTION 503 OF THE STANDARD SPECIFICATIONS. REINFORCEMENT BARS SHALL CONFORM TO SECTION 508.

All dimensions are in millimeters (inches) unless otherwise noted.

ILLINOIS DEPARTMENT OF TRANSPORTATION
DISTRICT CADD STANDARD

PIPE CULVERT
EXTENSION COLLAR
(WITHOUT END SECTION)

CADD STANDARD 542016-D4

SCALE: NOT DRAWN TO SCALE DRAWN BY: CADD

DATE: **DATE** CHECKED BY:

DATE	REVISIONS	BY
1-1-97	RENUM. B-8.03, NEW REVISION BOX ADDED QUANTITY CALCULATION BOX, REVISED TITLE BOX	T.P.
4-1-97	CORRECT BAR	J.A.
2-10-98	REVISE QUANTITIES	J.A.
9-1-00	CORRECT WEIGHT	J.A.

QUANTITIES	
CALC. BY: R. J. D.	2-2-98
CHECKED BY: R. D. H.	DATE: 2-6-98
	DATE:

QUANTITY CALCULATIONS ARE ON FILE AT THE DISTRICT 4 OFFICE; BUREAU OF PROJECT IMPLEMENTATION; DOCUMENTATION SECTION

DGN-ONLY