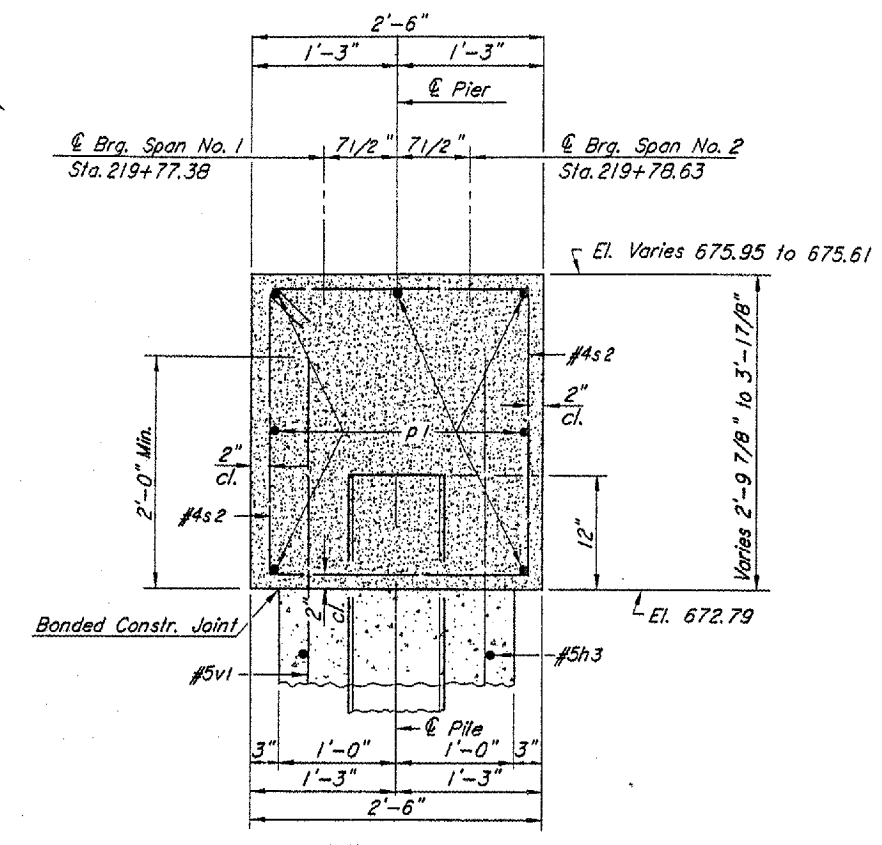
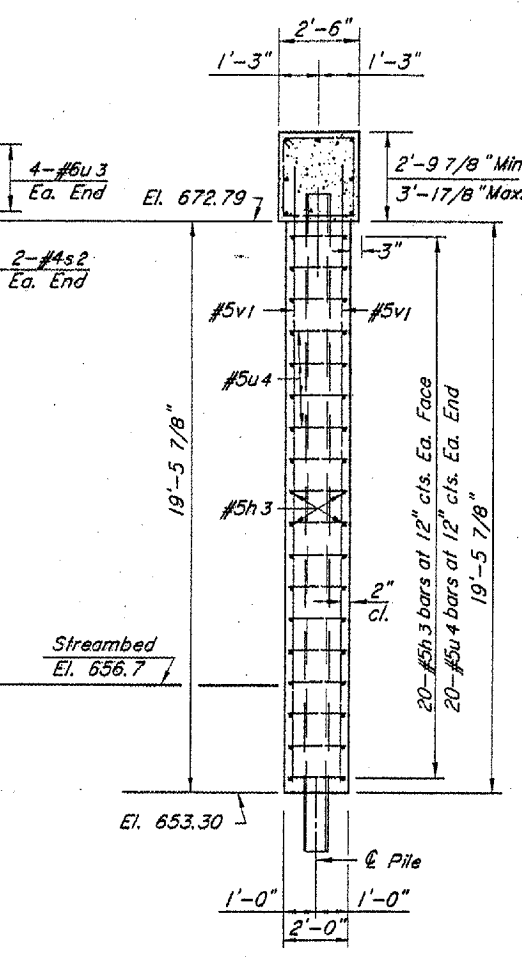
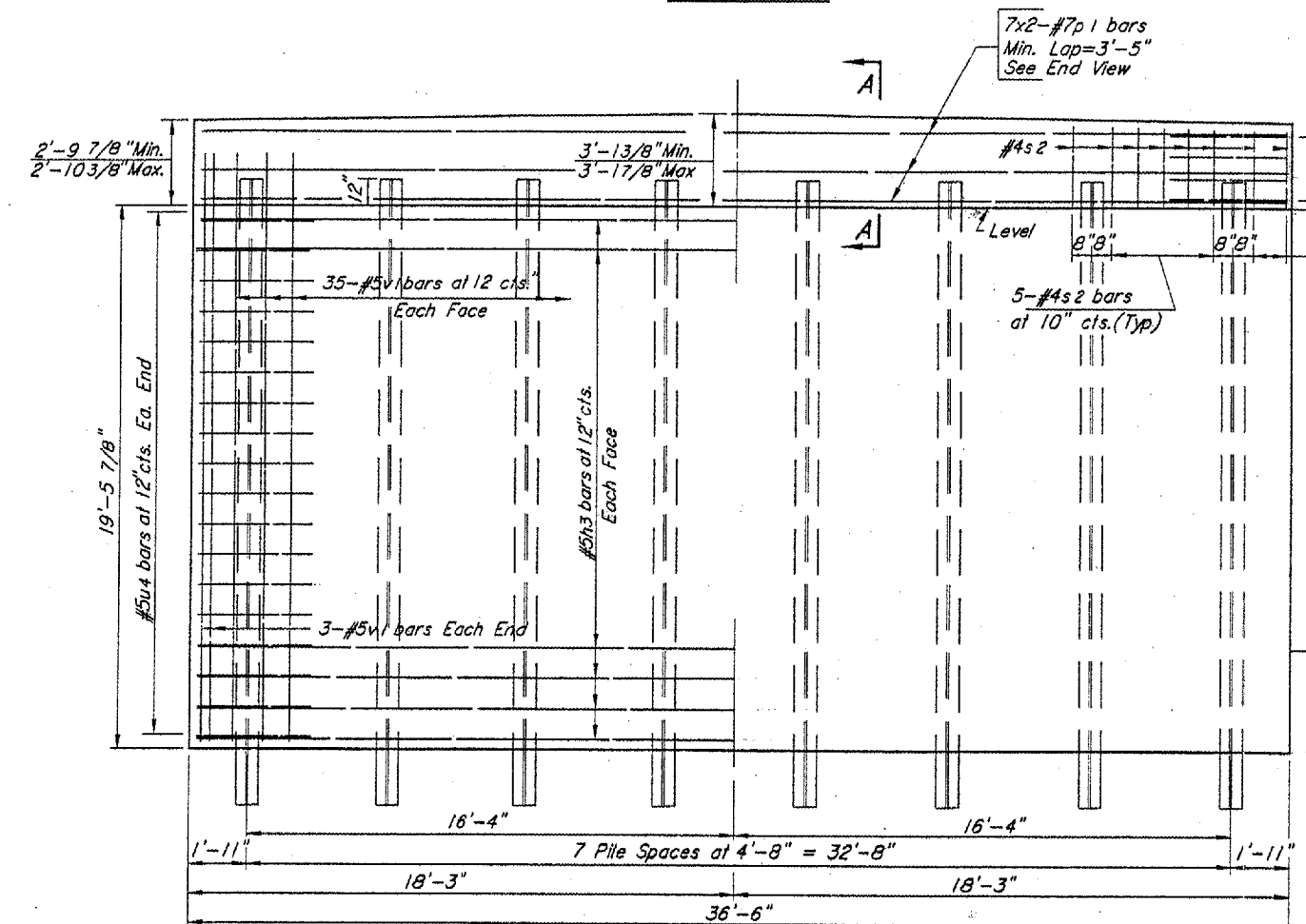
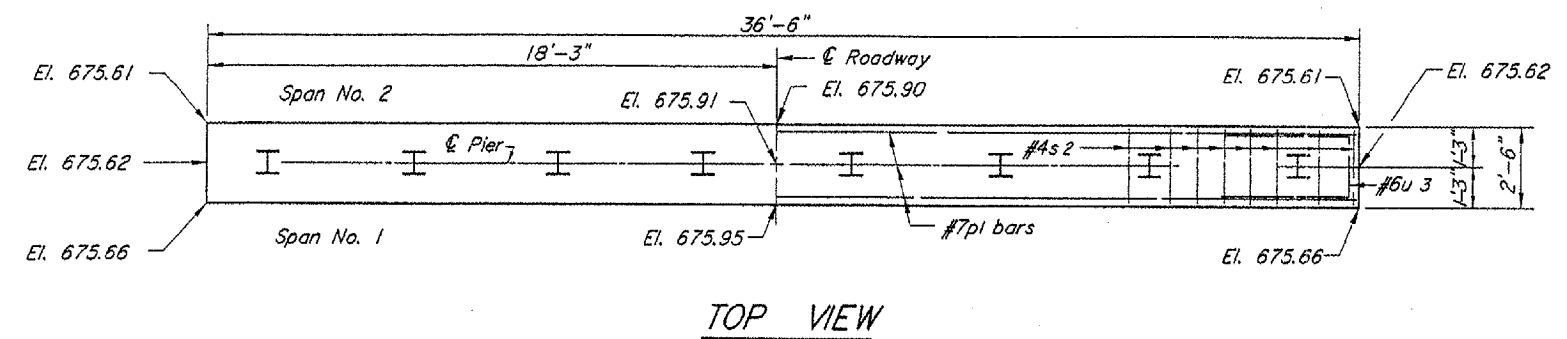


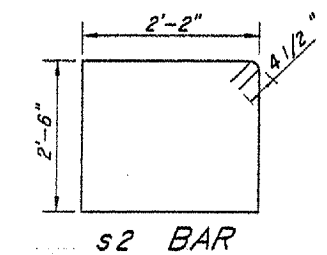
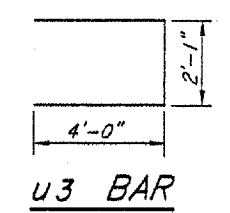
ROUTE NO.	SECTION	COUNTY	TOTAL SHEETS	SHEET NO.
1381	89-00005-00-BR	PEORIA	29	13
FED. ROAD DIST. NO.	ILLINOIS PROJECT	BR-S-1381 (105)	CONTRACT: 89066	

NOTE: View looking up station.



PILE DATA

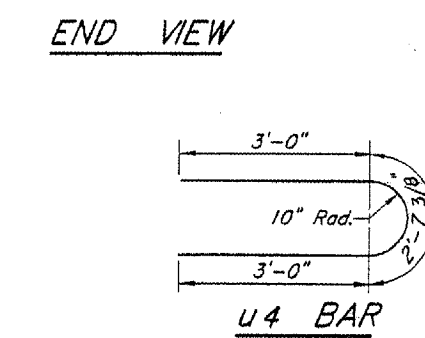
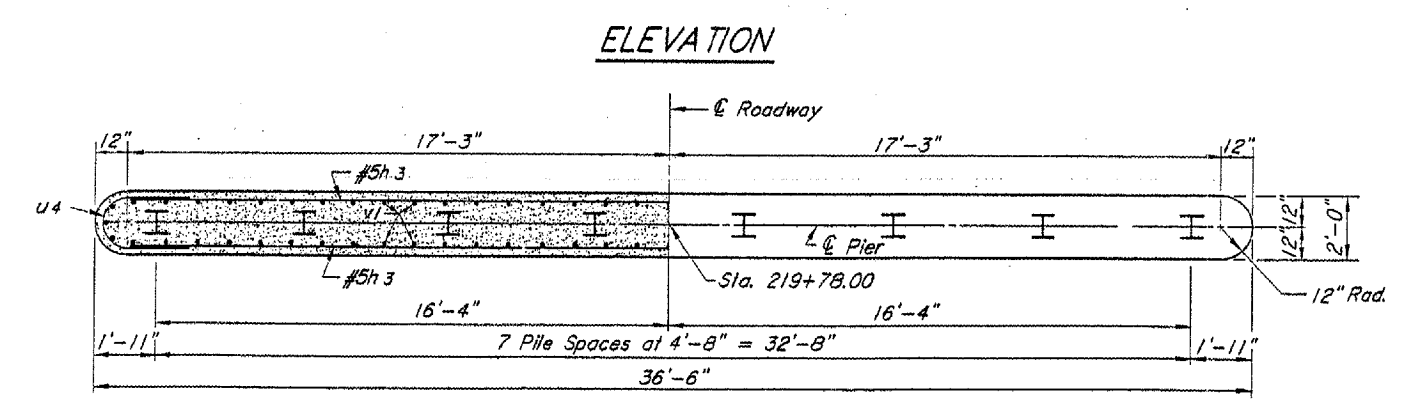
Type	HP 12 x 53
Capacity	Drive to Refusal
Est. Length	30 Feet
No. Required	7+1 Test Pile
Total Length	210 Feet



BILL OF MATERIAL

BAR	NO.	SIZE	LENGTH	SHAPE
h3	40	#5	34'-6"	—
p1	14	#7	20'-5"	—
s2	39	#4	10'-1"	□
u3	8	#6	10'-1"	⊓
u4	40	#5	8'-8"	⊓
v1	76	#5	21'-2"	—
Concrete Structures		Cu. Yd.	62.2	
Reinforcement Bars		Pound	4,450	
Steel Piles HP 12 x 53		Foot	210	
Test Pile HP 12 x 53		Each	1	
Structure Excavation		Cu. Yd.	31	

NOTE: All edges shall have standard 3/4" chamfer. Space reinforcement in cap to miss anchor dowels.



NOTE: See Standard CX-1 for HP Pile Encasement details.

⊙ Pier No. 1 Sta. 219+78.00
⊙ Finished Roadway El. 677.99

**PIER NO. 1
WEST PIER**