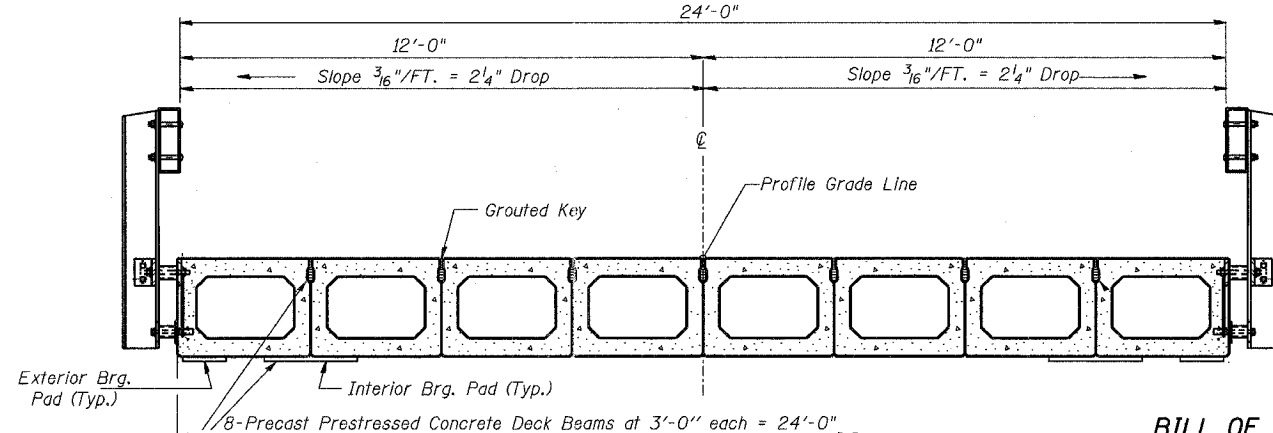
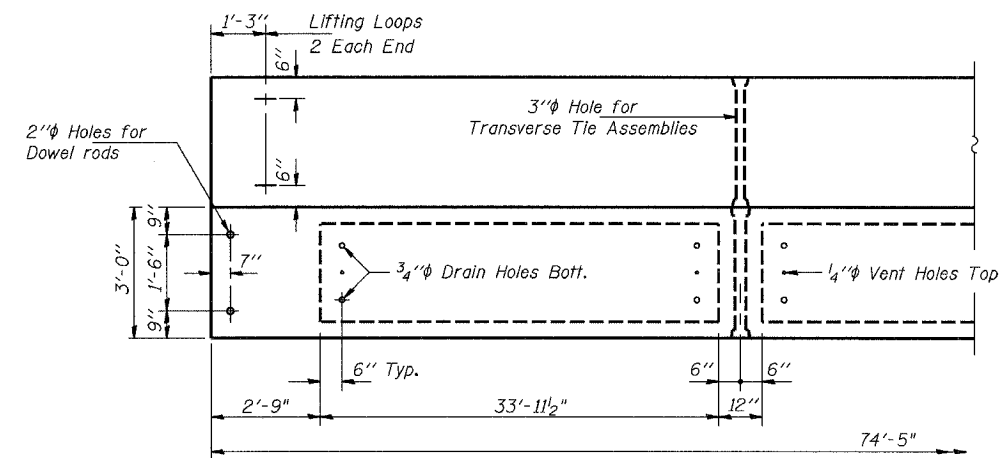
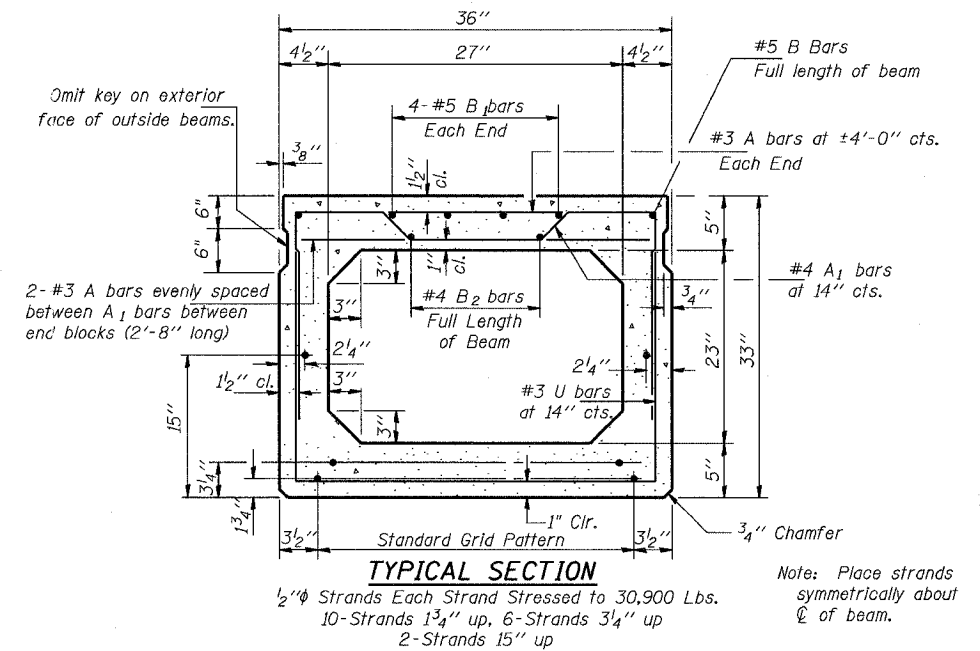
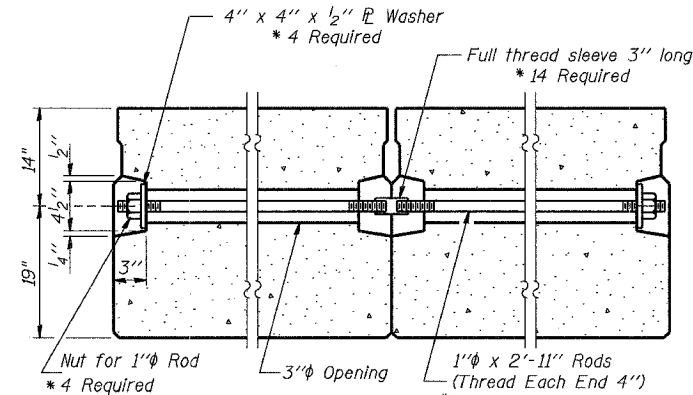
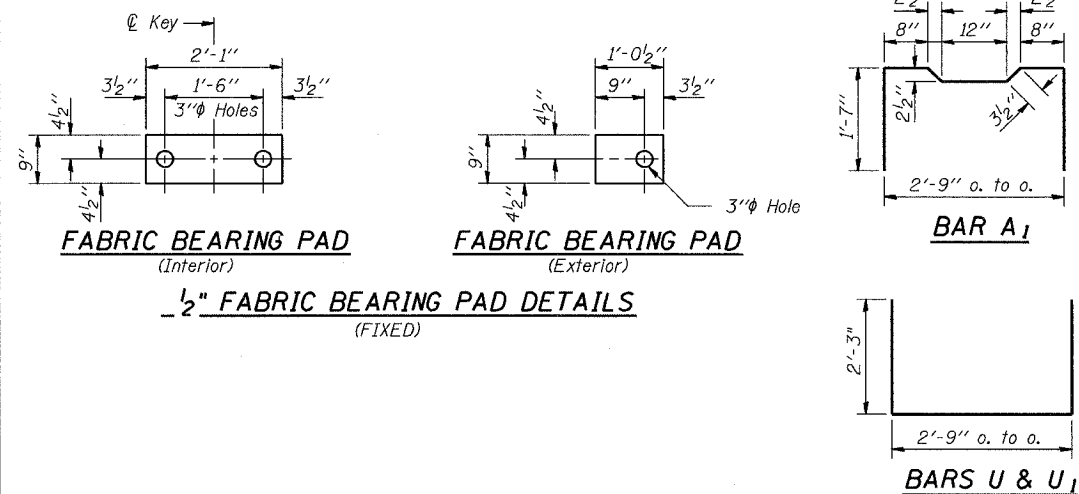


STATE OF ILLINOIS
DEPARTMENT OF TRANSPORTATION

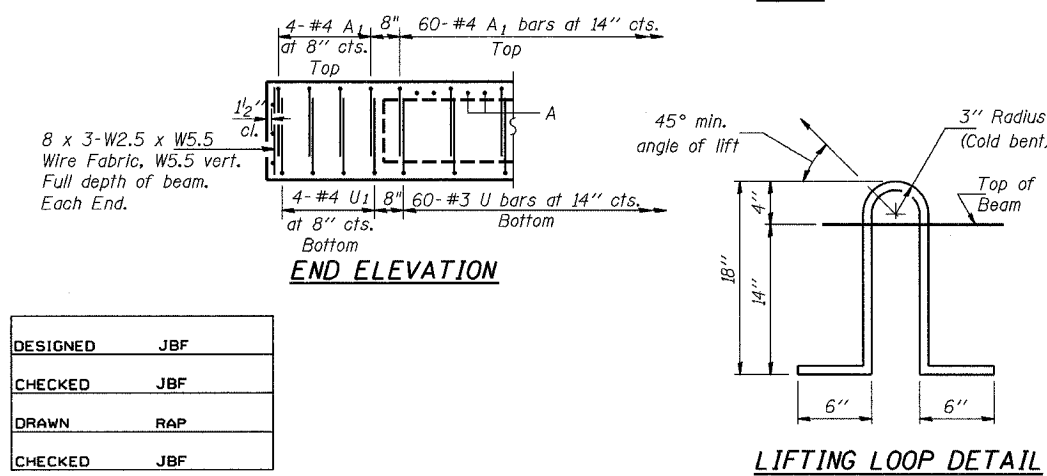
ROUTE NO.	SECTION	COUNTY	SHEET	OF SHEET
T.R. 132	*	MERCER	23	15
FED. ROAD DIST. NO. 7	ILLINOIS	BR-OS-131(44)		
* 97-06118-00-BR		89250		



BILL OF MATERIAL (FOR 2 SPANS)

Bar	No.	Size	Length	Shape
A	2048	#3	2'-8"	—
A1	1088	#4	6'-1"	—
B	32	#5	74'-2"	—
B1	128	#5	15'-0"	—
B2	32	#4	74'-2"	—
U	960	#3	7'-3"	—
U1	128	#4	7'-3"	—
Precast Prestressed Conc. Deck Bms.		Sq. Ft.	3,572	

DECK BEAM DETAILS
SECTION 97-06118-00-BR
T.R. 132, STA. 7+74.00
MERCER COUNTY
S.N. 066-4817



After beams have been erected, holes shall be drilled into substructure and anchor dowels placed. Dowel holes shall be filled with non-shrink grout to top of beam and allowed to cure min. 24 hours prior to grouting the shear keys.

NOTES

Prestressing steel shall be uncoated high strength, low-relaxation 7-wire strand, Grade 270. The nominal diameter shall be 1/2" and the nominal cross-sectional area shall be 0.153 sq. in. Lifting loops shall be 3-1/2" φ-270 ksi strands, as shown.

The 1" rods in the transverse tie assembly shall be tightened to a snug fit and the threads set. Pockets that receive transverse tie bar on outside shall be filled with grout after transverse tie assembly is in place.

Reinforcement bars shall conform to the requirements of A706, Grade 60.

The bearing seat surfaces shall be adjusted by shimming to assure firm and even bearing. Two 1/2" fabric adjusting shims of the dimensions of the Exterior Bearing Pad shall be provided for each bearing.

Keyway surfaces shall be cleaned to remove form oil or other bond breaking material prior to shipment of the beams. Cleaning shall be done by sandblasting the keyway areas between top of the beam and the bottom edge of the key.

A Calcium Nitrite Corrosion Inhibitor, as covered in the Special Provisions, shall be used in the concrete for precast prestressed concrete deck beams.

Required Release Strength, f'cl, shall be 4,000 p.s.i.

DESIGNED	JBF
CHECKED	JBF
DRAWN	RAP
CHECKED	JBF

PD-5-S