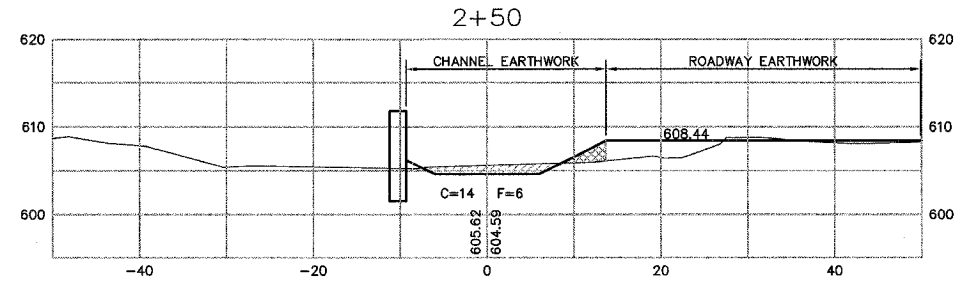
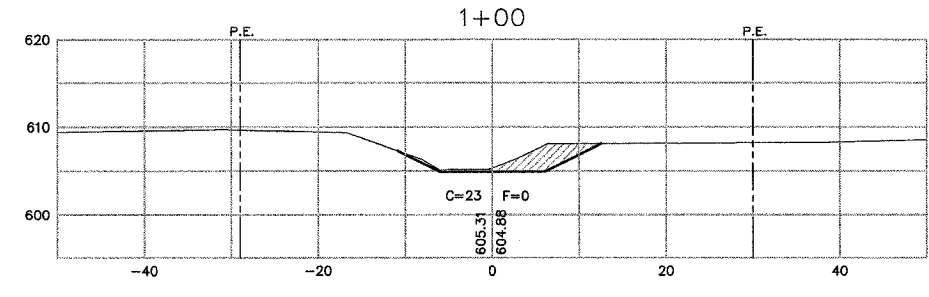
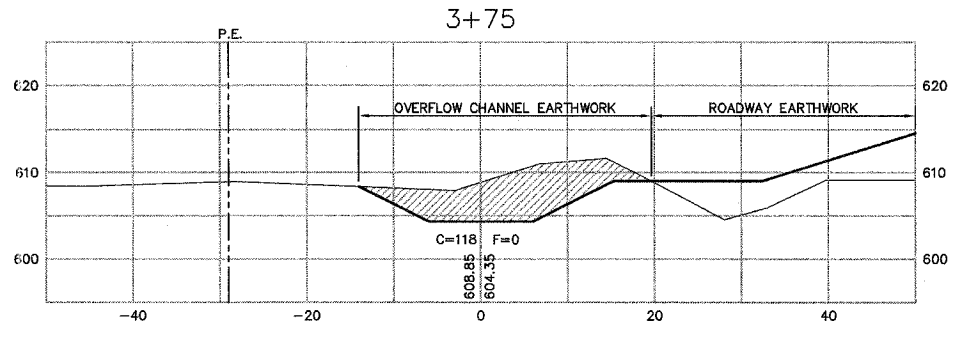
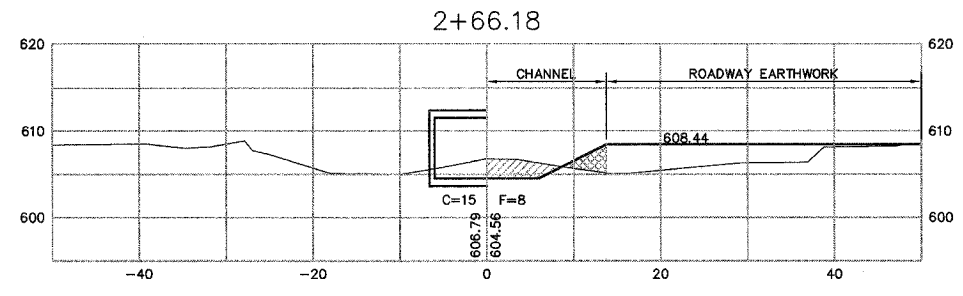
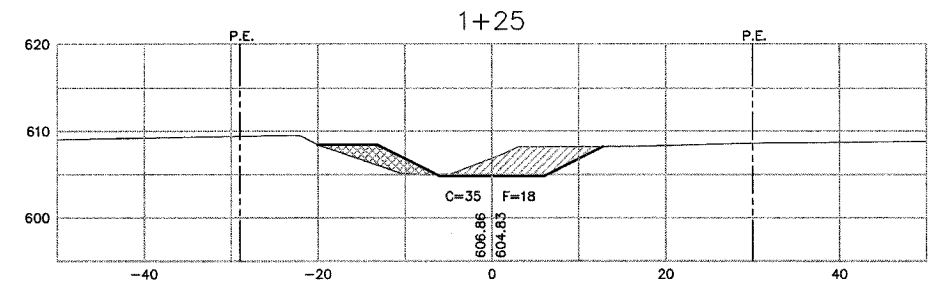
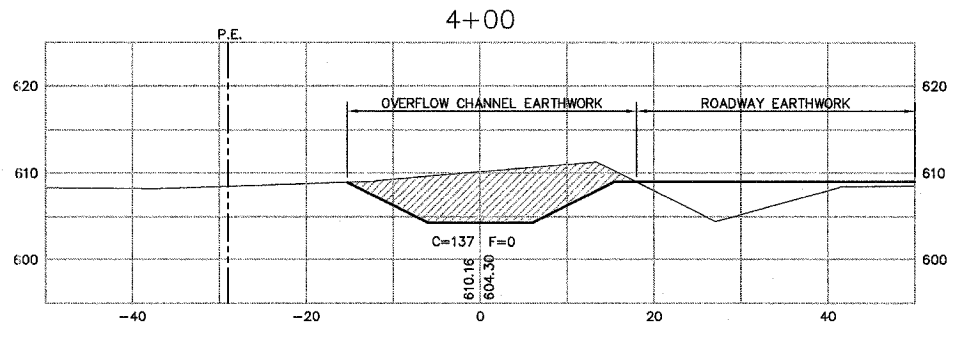
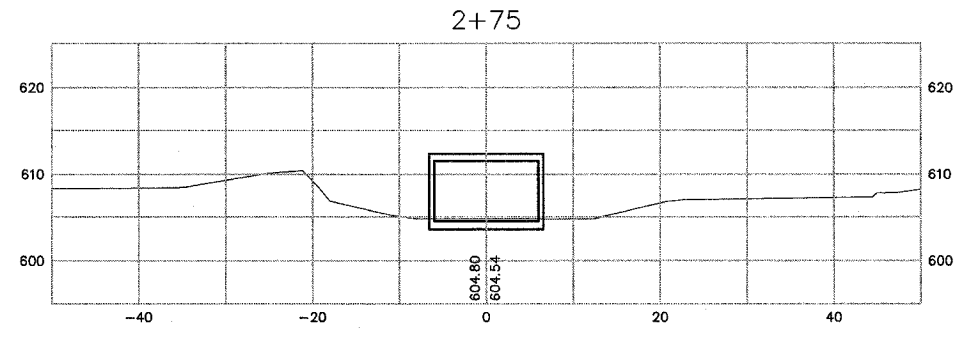
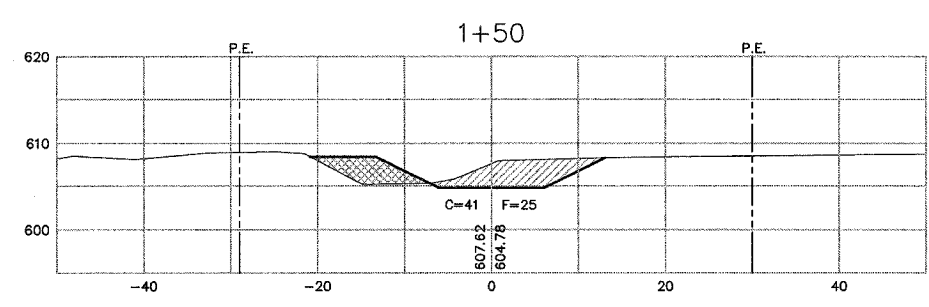
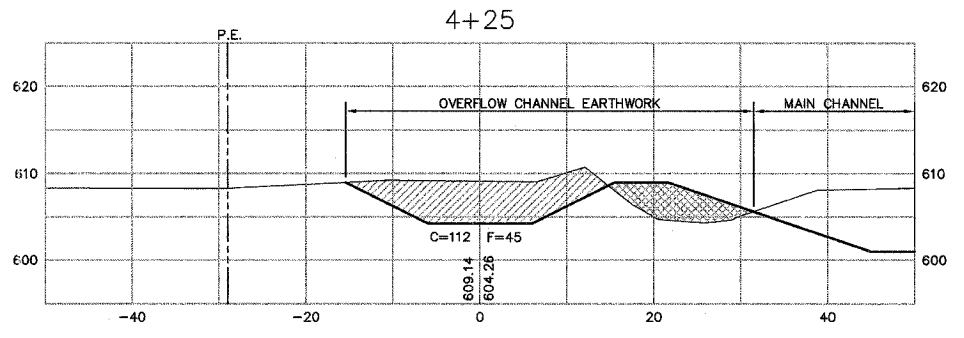
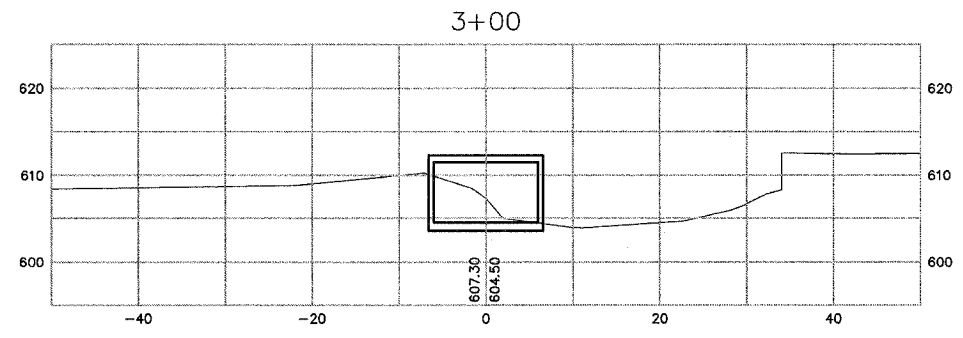
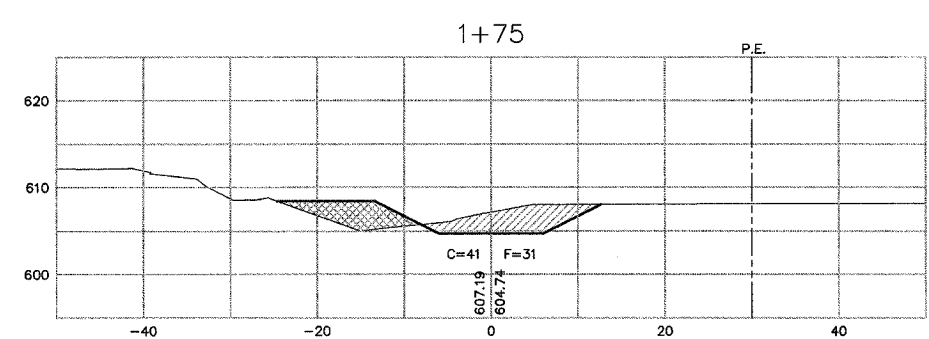
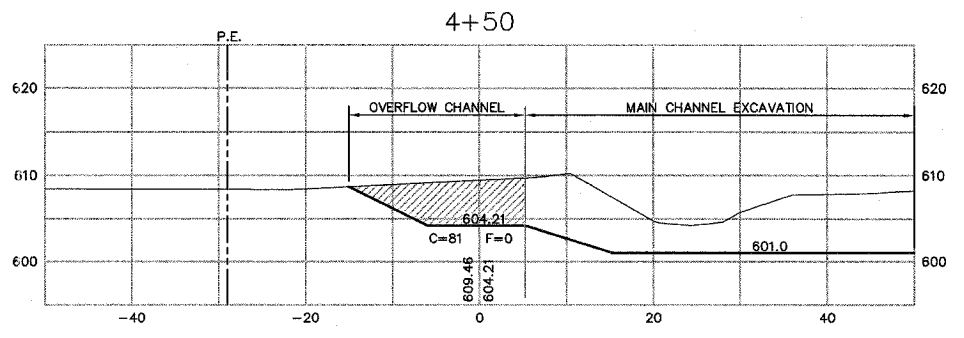
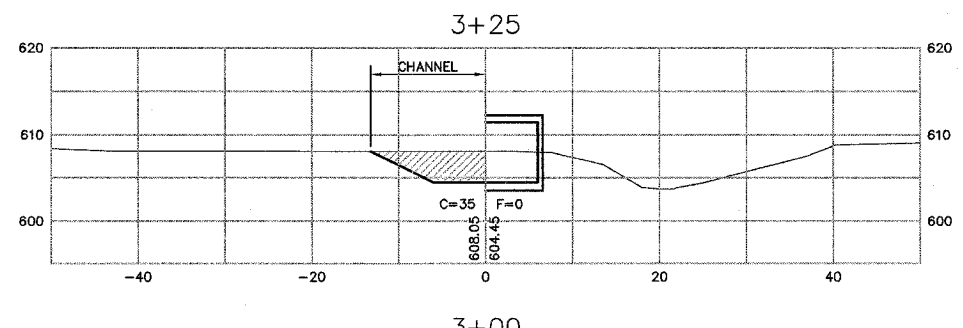
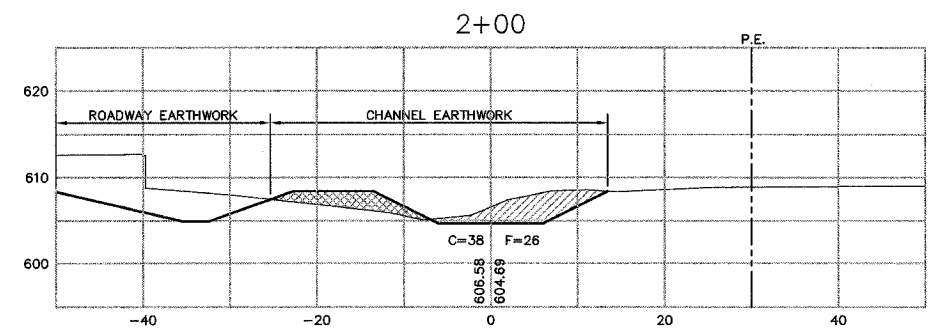
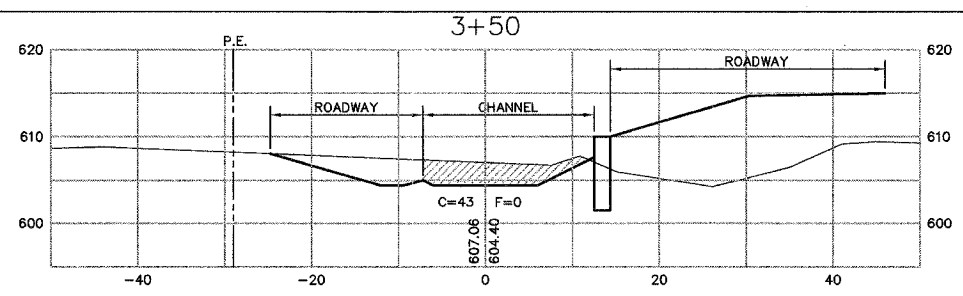
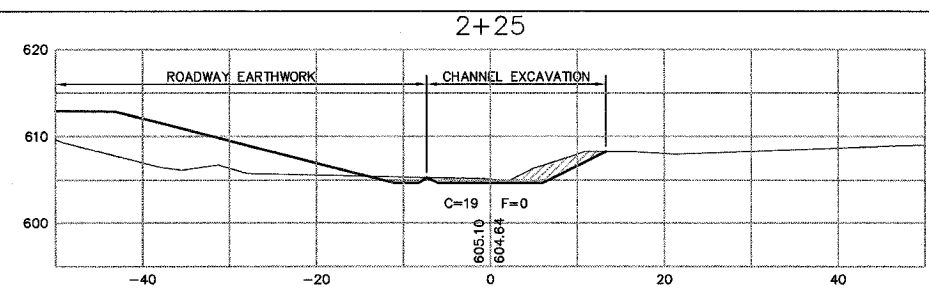


ROUTE NO.	SECTION	COUNTY	TOTAL SHEETS	SHEET NO.
T.R. 132	*	MERCER	23	20
ILLINOIS			BR-OS-131(44)	

* 97-06118-00-BR 89250



OVERFLOW CHANNEL CROSS SECTIONS
SECTION 97-06118-00-BR
T.R. 132, STA. 7+74.00
MERCER COUNTY

G:\Structural\9706118\132\132.dwg\c:\users\jsteele\my documents\layout1_4/11/2006 2:51:02 PM