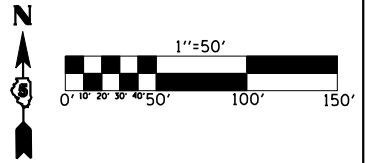


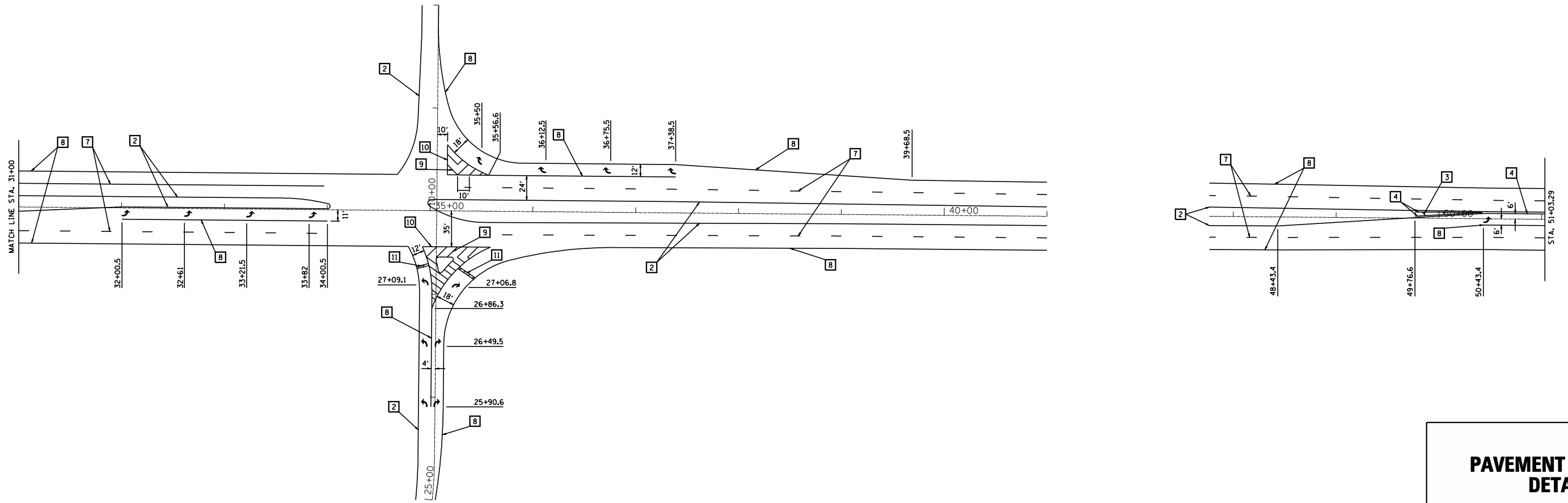
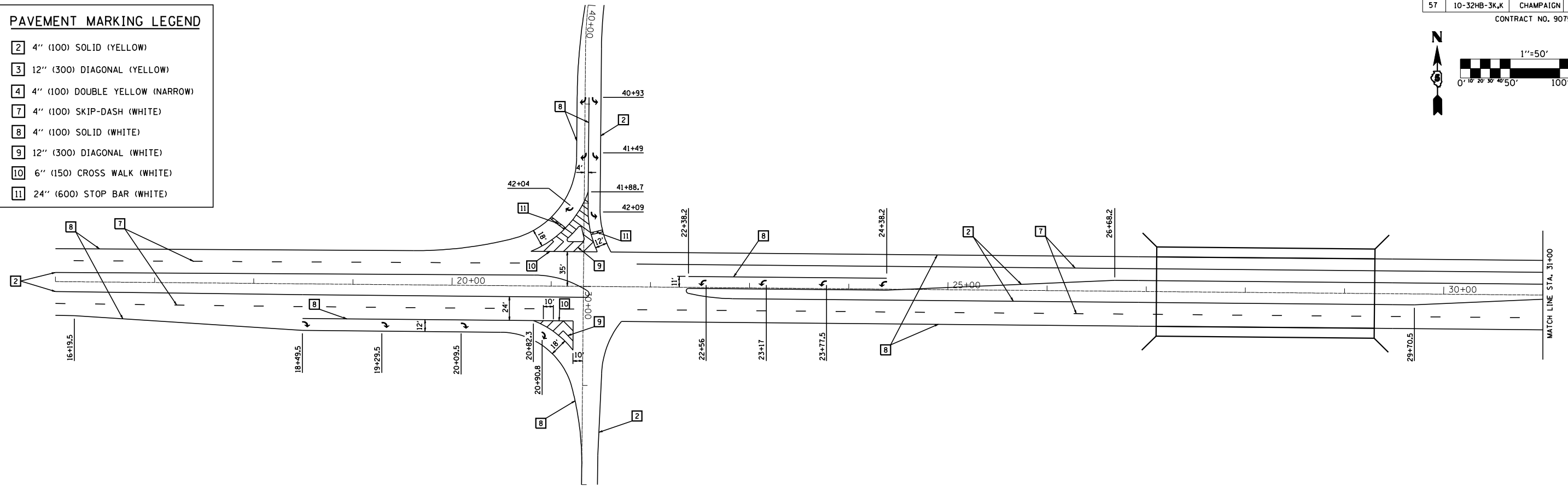
F.A.I. RTE.	SECTION	COUNTY	TOTAL SHEETS	SHEET NO.
57	10-32HB-3K,K	CHAMPAIGN	352	79

CONTRACT NO. 90758



PAVEMENT MARKING LEGEND

- 2 4" (100) SOLID (YELLOW)
- 3 12" (300) DIAGONAL (YELLOW)
- 4 4" (100) DOUBLE YELLOW (NARROW)
- 7 4" (100) SKIP-DASH (WHITE)
- 8 4" (100) SOLID (WHITE)
- 9 12" (300) DIAGONAL (WHITE)
- 10 6" (150) CROSS WALK (WHITE)
- 11 24" (600) STOP BAR (WHITE)



PAVEMENT MARKING DETAILS