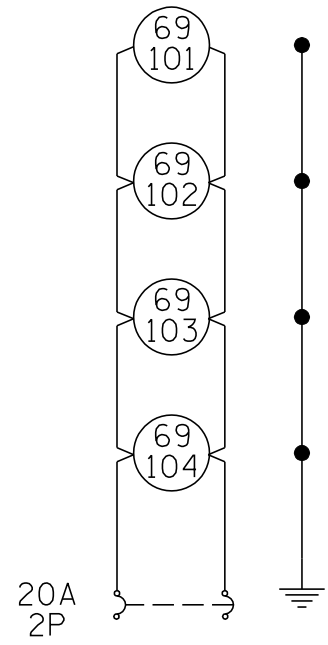


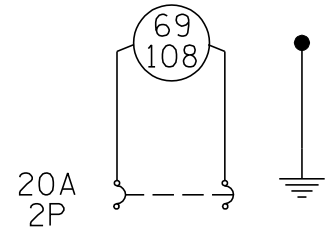
F.A.I. RTE.	SECTION	COUNTY	TOTAL SHEETS	SHEET NO.
57	10-32HB-3,K	CHAMPAIGN	352	88

CONTRACT NO. 90758



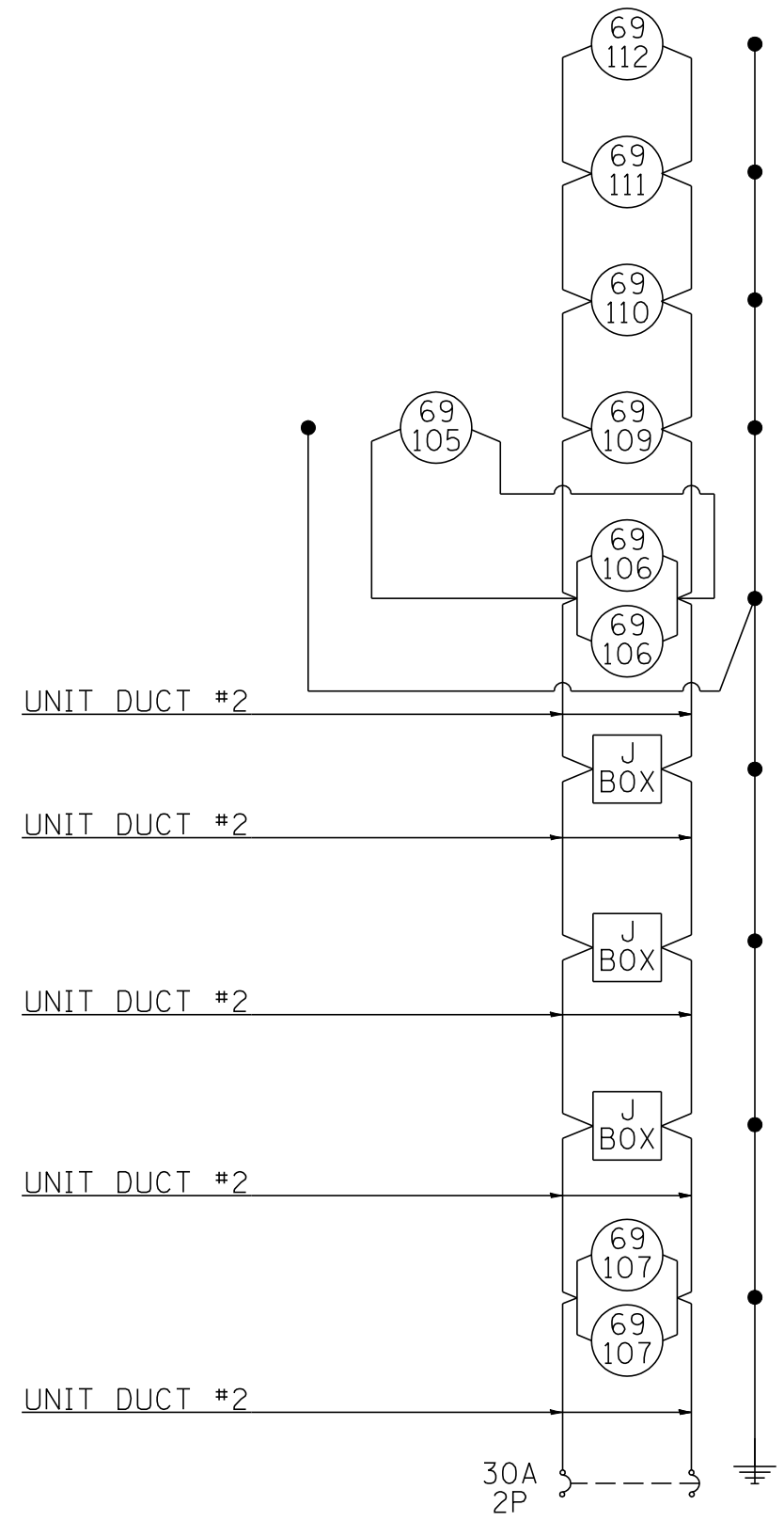
WIRING DIAGRAM
CIRCUIT 1

NOTE: USE UNIT DUCT #6 FOR CIRCUIT 1



WIRING DIAGRAM
CIRCUIT 3

NOTE: USE UNIT DUCT #8 FOR CIRCUIT 3



WIRING DIAGRAM
CIRCUIT 2

NOTE: USE UNIT DUCT #4 FOR CIRCUIT 2 UNLESS OTHERWISE NOTED