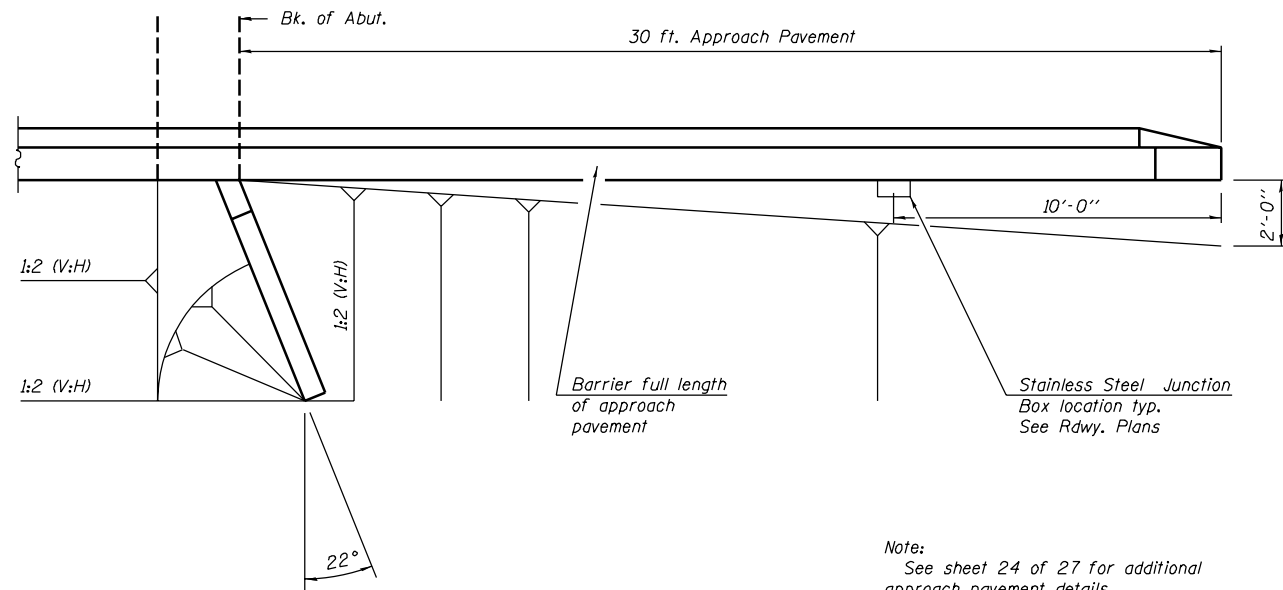


STATE OF ILLINOIS  
DEPARTMENT OF TRANSPORTATION

ROUTE NO.	SECTION	COUNTY	TOTAL SHEETS	SHEET NO.
F.A.I. 57	10-32HB-3,K	CHAMPAIGN	352	111
FED. ROAD DIST. NO. 7	ILLINOIS	FED. AID PROJECT-		

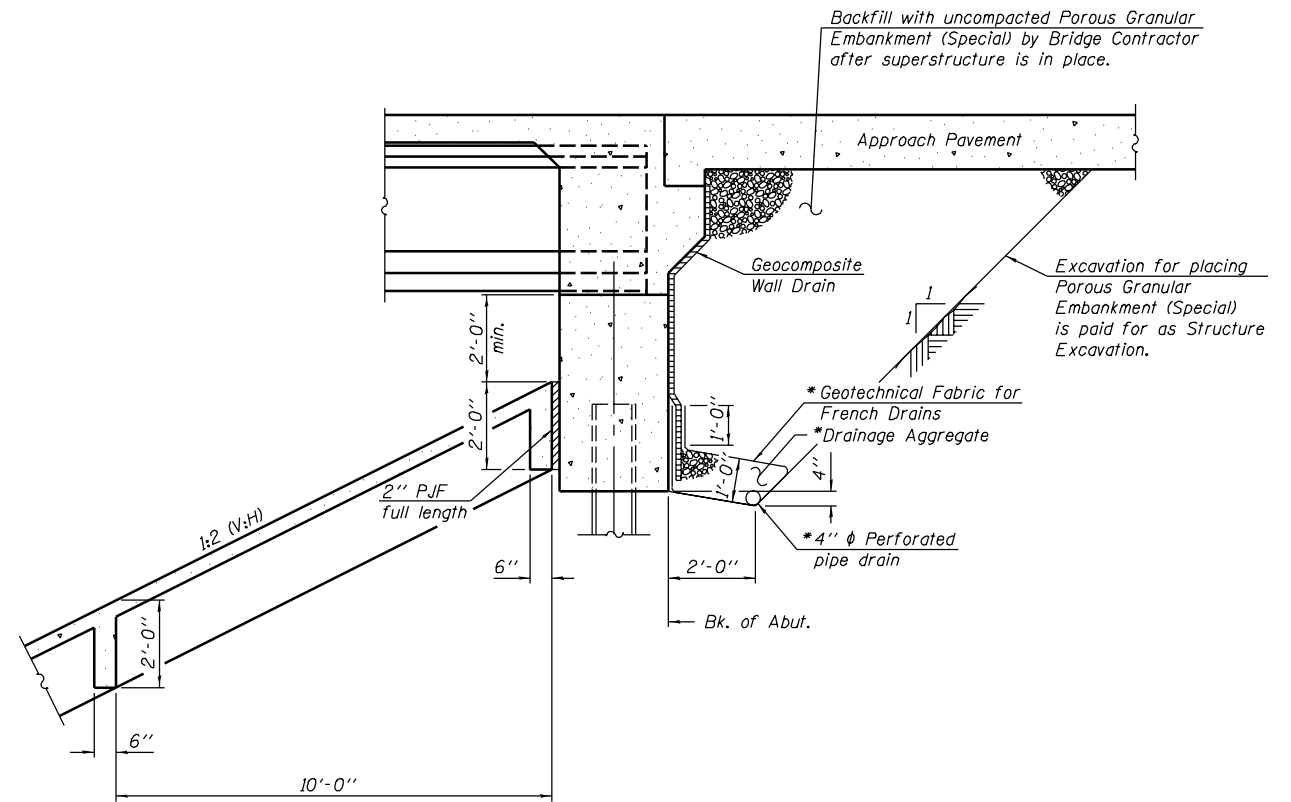
SHEET NO. 2  
27 SHEETS

Contract #90758



Note:  
See sheet 24 of 27 for additional approach pavement details.

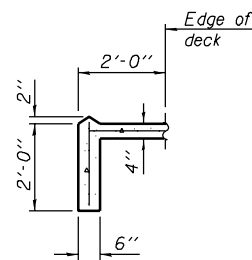
**APPROACH PAVEMENT AND TRAFFIC BARRIER DETAILS**  
(Typical all four corners)



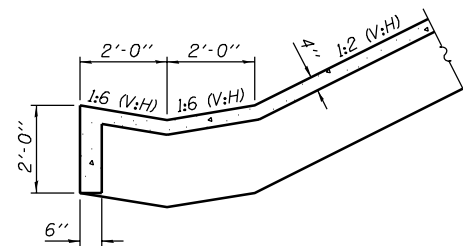
**SECTION THRU INTEGRAL ABUTMENT**

\* Included in the cost of Pipe Underdrains for Structures, 4".

Note:  
All drainage system components shall extend to 2'-0" from the end of each wingwall except an outlet pipe shall extend until intersecting with the side slopes. The pipes shall drain into concrete headwalls. (See Article 601.05 of the Standard Specifications and Highway Standard 60110).



**SECTION A-A**



**SECTION B-B**

DESIGNED	Gholam R. Ahanchi
CHECKED	Rebecca L. Tharp
DRAWN	Michael B. Mossman
CHECKED	G.R.A. / R.L.T.

April 28, 2006  
EXAMINED *Thomas J. Domagalaki*  
PASSED *Ralph E. Anderson*  
ENGINEER OF BRIDGE DESIGN  
ENGINEER OF BRIDGES AND STRUCTURES

**GENERAL DATA**  
F.A.I. ROUTE 57 SEC. 10-32HB-3,K  
CHAMPAIGN COUNTY  
STATION 297+20.45  
STRUCTURE NO. 010-0272