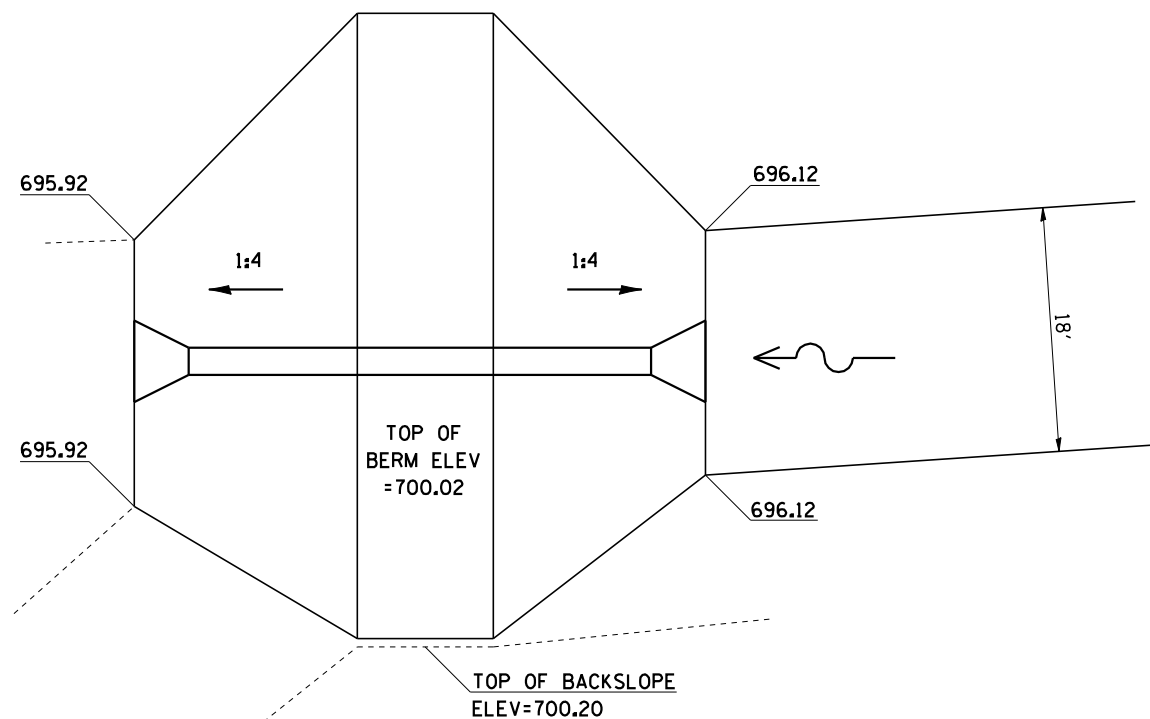


F.A.I. RTE.	SECTION	COUNTY	TOTAL SHEETS	SHEET NO.
57	10-32HB-3,K	Champaign	352	174

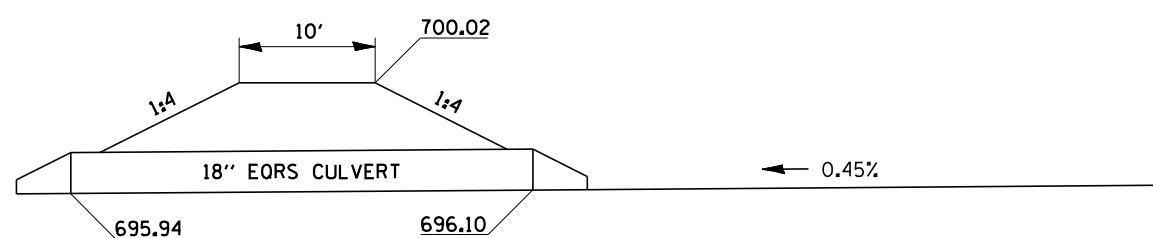
CONTRACT NO. 90758

ROADSIDE DITCH IN-LINE DETENTION BASIN

EARTH BERM CURTIS ROAD
STA. 36+85.00 RT.

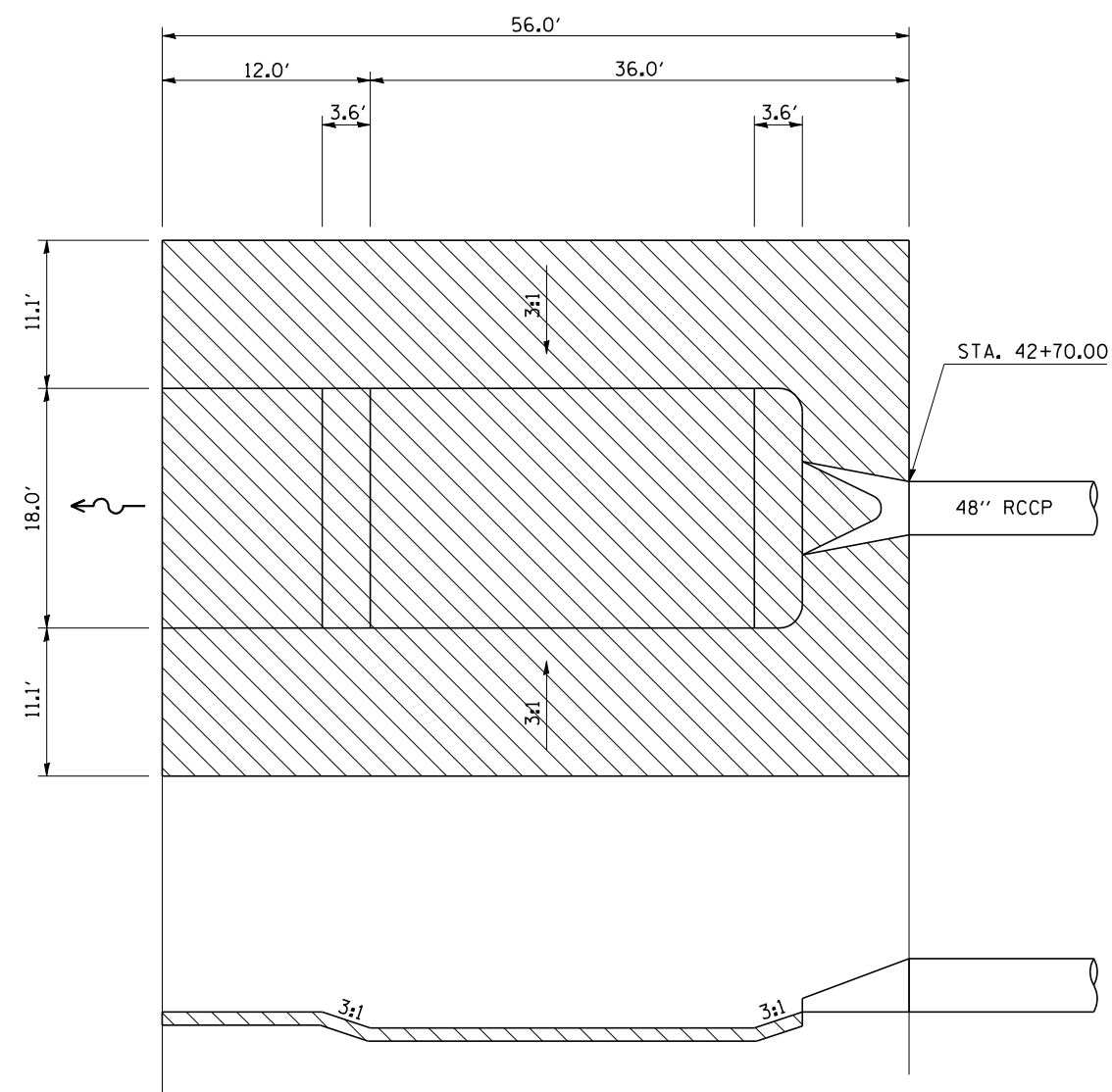


PLAN



ELEVATION

STILLING BASIN CURTIS ROAD
STA. 43+15.00 RT.



 PRECAST BLOCK REVETMENT MAT

ILLINOIS DEPARTMENT OF TRANSPORTATION

DETAILS

NOTE: DESIGN PROVIDED BY THE CITY OF CHAMPAIGN