

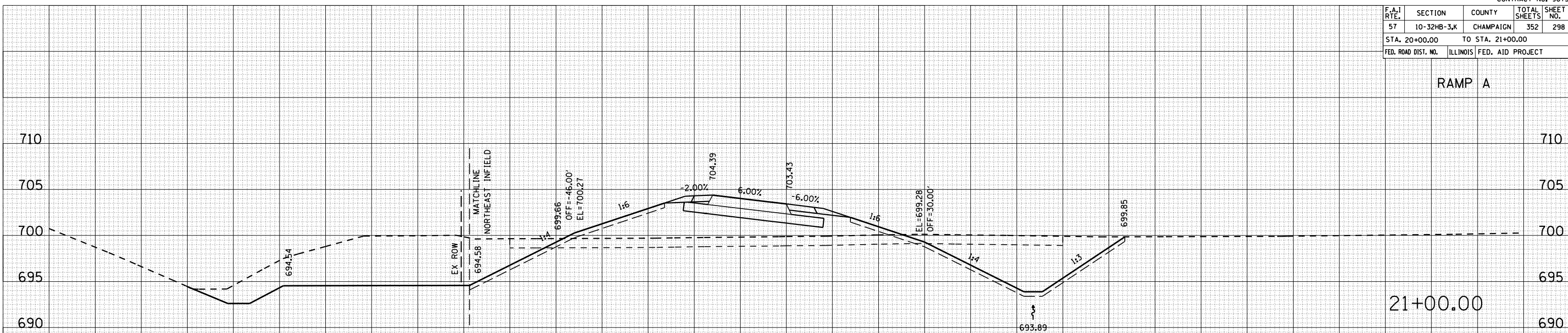
F.A.I. RTE.	SECTION	COUNTY	TOTAL SHEETS	SHEET NO.
57	10-32HB-3,K	CHAMPAIGN	352	298
STA. 20+00.00		TO STA. 21+00.00		
FED. ROAD DIST. NO.	ILLINOIS	FED. AID PROJECT		

RAMP A

BY	DATE

NO.	AREAS CHECKED

NO.	AREAS CHECKED

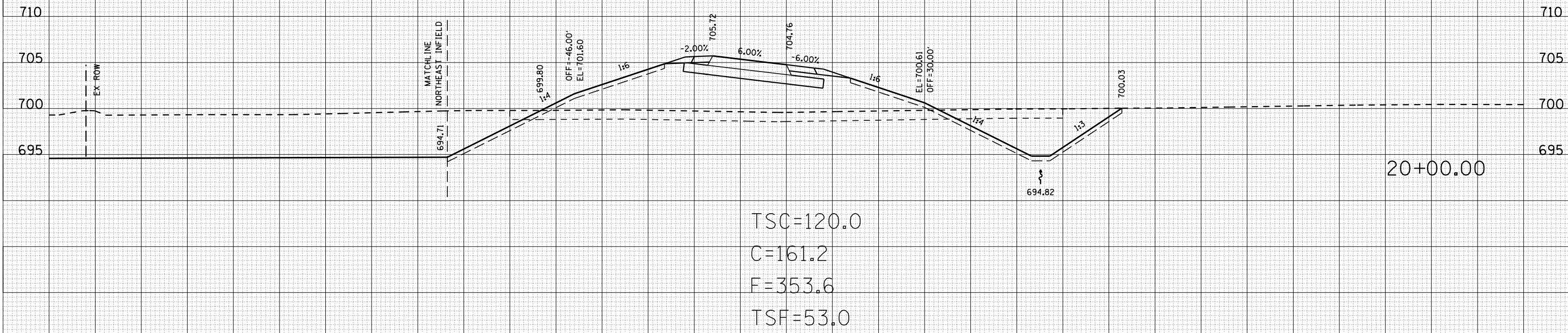


TSC=120.0
 C=195.5
 F=231.1
 TSF=50.9

BY	DATE

NO.	AREAS CHECKED

NO.	AREAS CHECKED



TSC=120.0
 C=161.2
 F=353.6
 TSF=53.0