

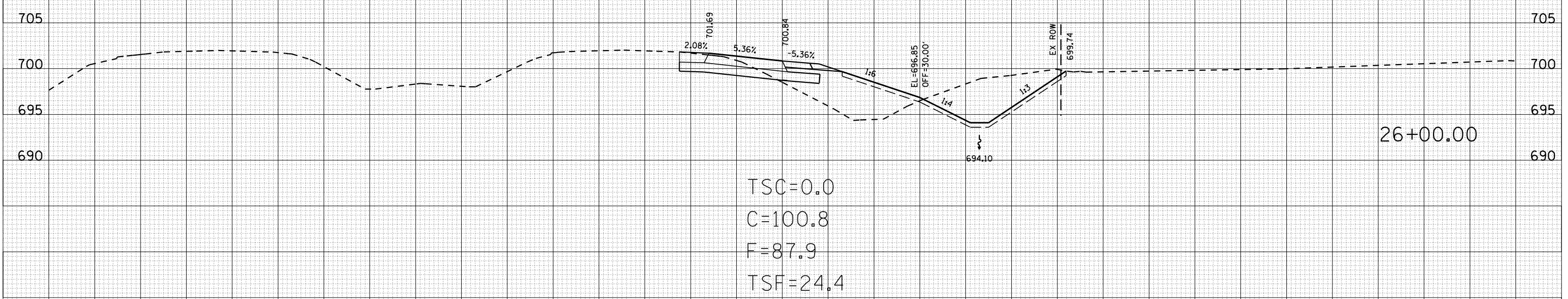
F.A.I. RTE.	SECTION	COUNTY	TOTAL SHEETS	SHEET NO.
57	10-32HB-3,K	CHAMPAIGN	352	301
STA. 25+00.00		TO STA. 26+00.00		
FED. ROAD DIST. NO.	ILLINOIS	FED. AID PROJECT		

RAMP A

BY	DATE

FINAL SURVEY	SURVEYED	PLOTTED	DATE	AREAS CHECKED



BY	DATE

ORIGINAL SURVEY	SURVEYED	PLOTTED	DATE	AREAS CHECKED

