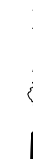
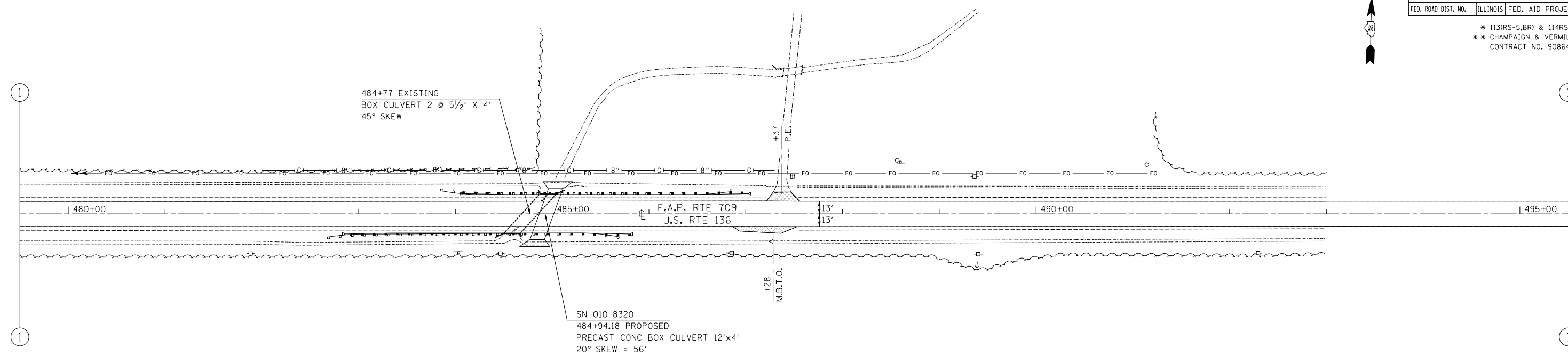


F.A.P. RTE.	SECTION	COUNTY	TOTAL SHEETS	SHEET NO.
709	*	**	72	31
STA. 480+00		TO STA. 510+00		
FED. ROAD DIST. NO.	ILLINOIS	FED. AID PROJECT		



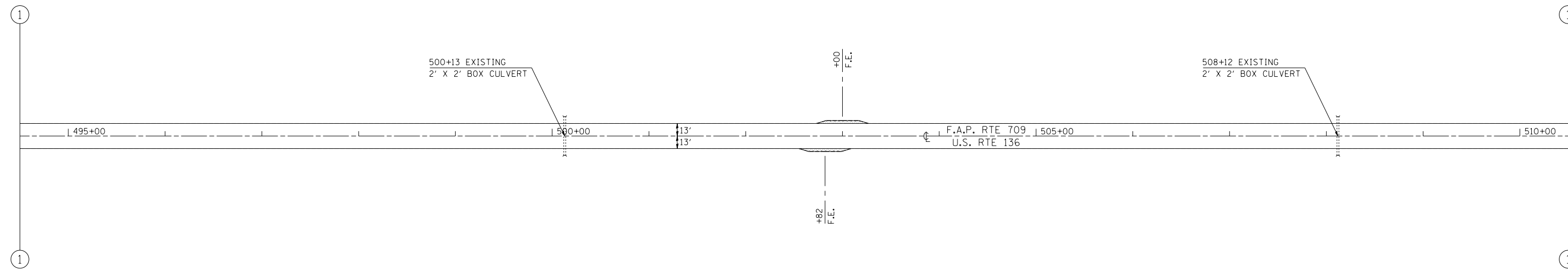
\* 113(RS-5, BR) & 114RS-2  
 \*\* CHAMPAIGN & VERMILION  
 CONTRACT NO. 90864



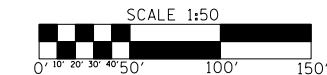
SEE BOX CULVERT DETAIL

INCIDENTAL BITUMINOUS SURFACING

SEC. 113, T22N, R11E



INCIDENTAL BITUMINOUS SURFACING



SEC. 113, T22N, R11E