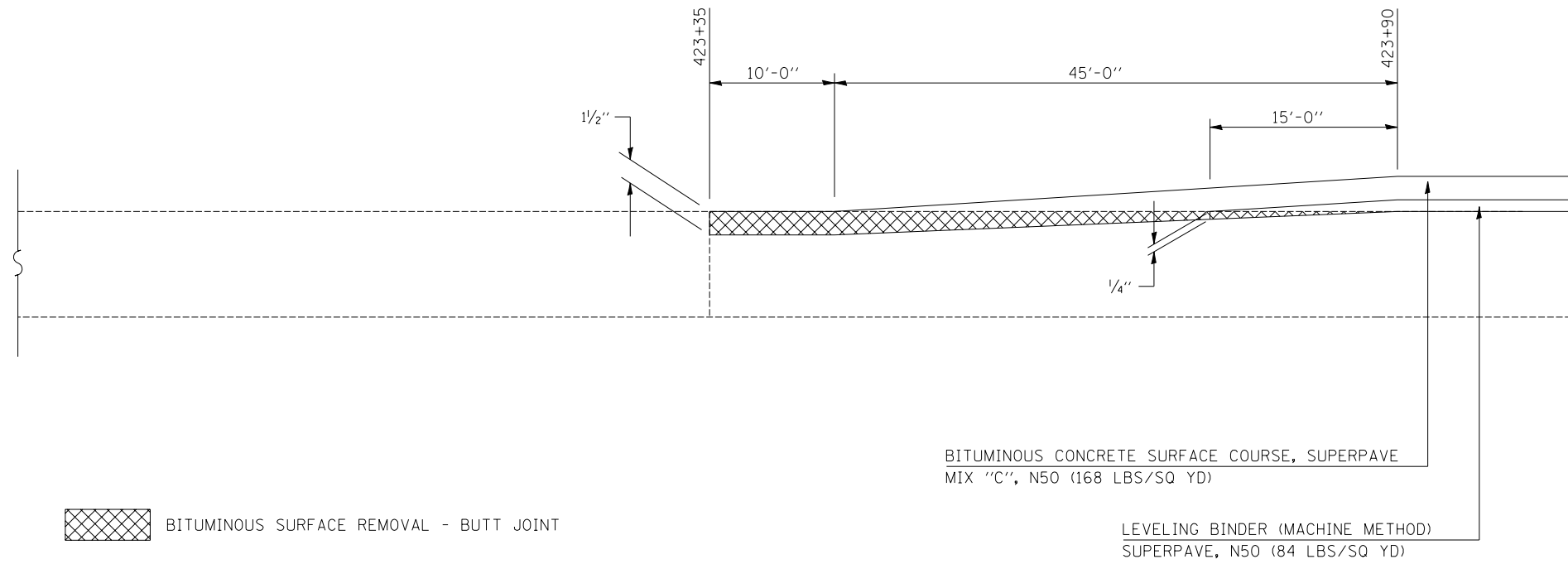


F.A.P. RTE.	SECTION	COUNTY	TOTAL SHEETS	SHEET NO.
709	*	**	72	51

* 113(RS-5, BR) & 114RS-2
 ** CHAMPAIGN & VERMILION
 CONTRACT NO. 90864

DETAIL OF BITUMINOUS SURFACE REMOVAL - BUTT JOINT

STATION 423+35.00 TO STATION 423+90.00



DETAIL OF BITUMINOUS SURFACE REMOVAL - BUTT JOINT

STATION 162+37.6 TO STATION 162+48.6

