

ROUTE NO.	SECTION	COUNTY	SHEET NO.	SHEET NO.
TR 43	#	PIATT	11	2
FED. ROAD DIST. NO. 7	ILLINOIS	FED. AID PROJECT-		

*04-04124-00-BR

SUMMARY OF QUANTITIES

CODE NO.	ITEM	UNIT	QUANTITY
20200100	*EARTH EXCAVATION	CU. YD.	134
20400800	*FURNISHED EXCAVATION	CU. YD.	283
25001000	SEEDING, CLASS 2 (SPECIAL)	ACRE	0.30
28000250	TEMPORARY EROSION CONTROL SEEDING	POUND	150
28000400	PERIMETER EROSION BARRIER	FOOT	640
28100105	STONE RIPRAP, CLASS A3	SQ. YD.	104
28500100	FABRIC FORMED CONCRETE REVETMENT MATS	SQ. YD.	234
40200800	*AGGREGATE SURFACE COURSE, TYPE B	TON	260
50100100	*REMOVAL OF EXISTING STRUCTURES	EACH	1
50200100	STRUCTURE EXCAVATION	CU. YD.	146
50300225	CONCRETE STRUCTURES	CU. YD.	57.9
50400305	PRECAST, PRESTRESSED CONCRETE DECK BEAMS (17" DEPTH)	SQ. FT.	2187
50800105	REINFORCEMENT BARS	POUND	7570
50900205	STEEL RAILING, TYPE S-1	FOOT	162
51201400	FURNISHING STEEL PILES, HP 10X42	FOOT	648
51202700	DRIVING STEEL PILES	FOOT	648
51203400	TEST PILE, STEEL HP 10X42	EACH	4
51204600	METAL SHOES	EACH	16
51500100	NAME PLATE	EACH	1
54200223	*PIPE CULVERTS, CLASS D, TYPE 1, 18" Ø	FOOT	32
67100100	MOBILIZATION	L. SUM	1

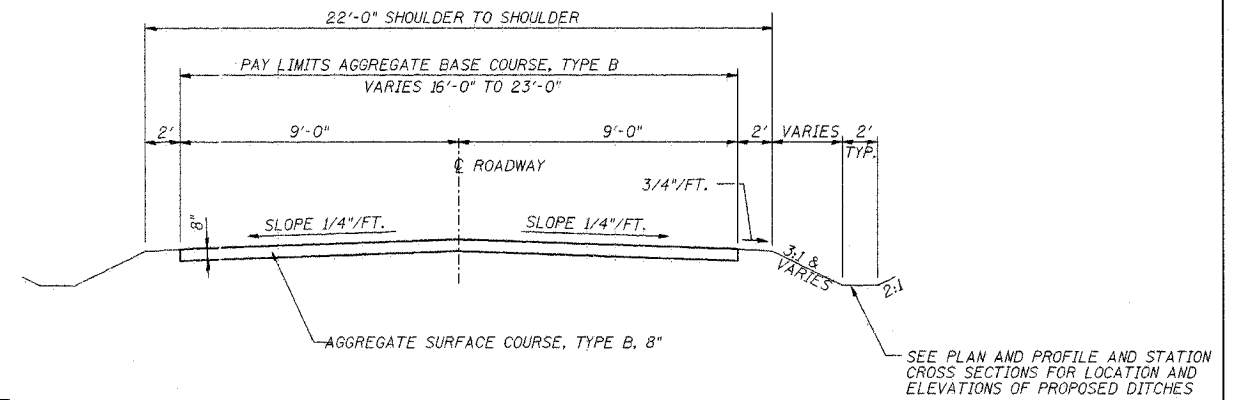
* SEE SPECIAL PROVISIONS

x080-2A

SEEDING, CLASS 2 (SPECIAL)	
LOCATION	ACRE
STA 8+00 TO STA 9+59.42	0.15
STA 10+40.58 TO STA 12+00	0.15
TOTAL	0.30

PIPE CULVERTS, CLASS D, TYPE 1, 18" Ø	
LOCATION	FOOT
LT STA 9+00	32
TOTAL	32

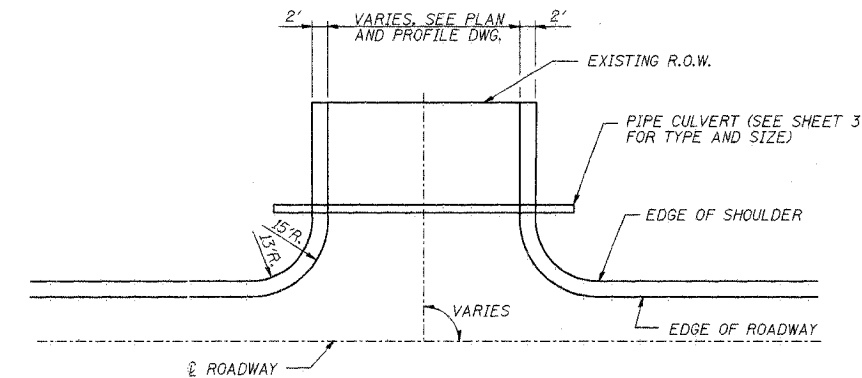
AGGREGATE SURFACE COURSE, TYPE B	
LOCATION	TON
STA 8+00 TO STA 9+59.42	120
STA 10+40.58 TO STA 12+00	120
LT STA 9+00	20
TOTAL	260



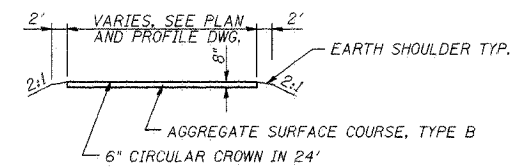
NOTES:
 FUNCTIONAL CLASS - LOCAL ROAD (0-250 ADT)
 CURRENT ADT = LESS THAN 150
 SEE PLAN AND PROFILE SHEET 3 FOR PAVEMENT AND SHOULDER TAPERS.

PROPOSED TYPICAL CROSS SECTION

STA. 8+00.00 TO STA. 9+59.42
 STA. 10+40.58 TO STA. 12+00



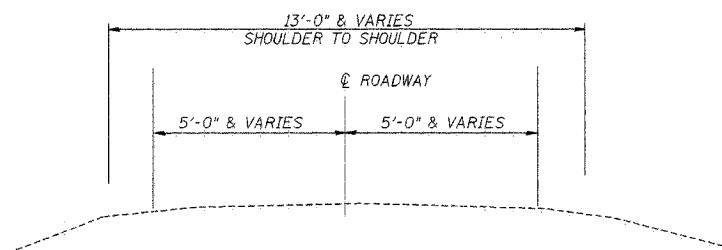
PLAN



SECTION

FIELD ENTRANCE DETAIL

STA. 9+20 LT.



EXISTING TYPICAL CROSS SECTION

STA. 8+00 TO STA. 9+85
 STA. 10+15 TO STA. 12+00