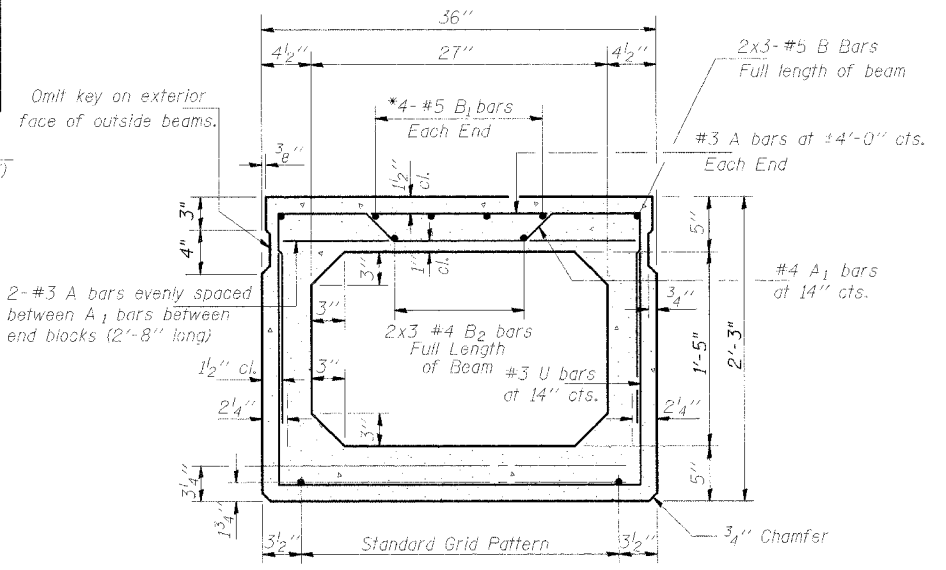
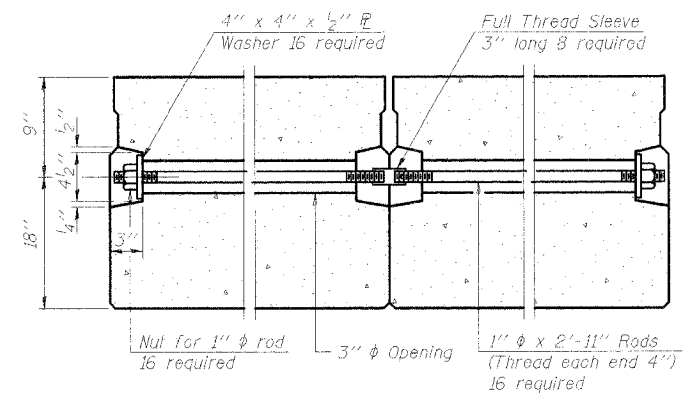
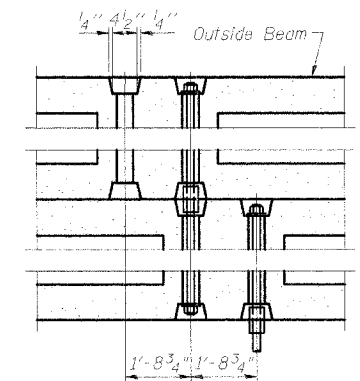
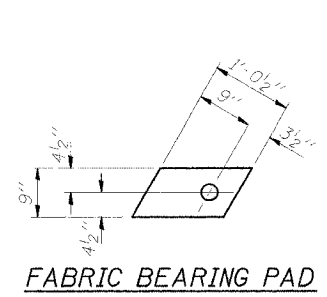
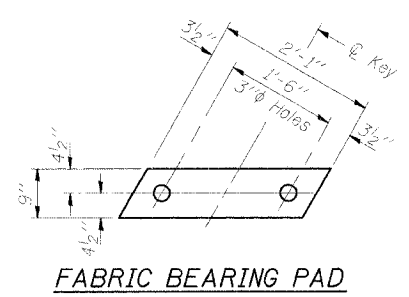
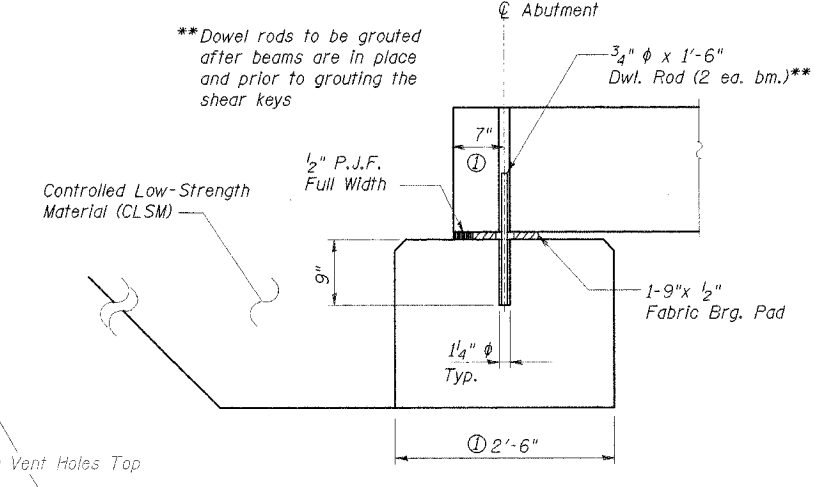
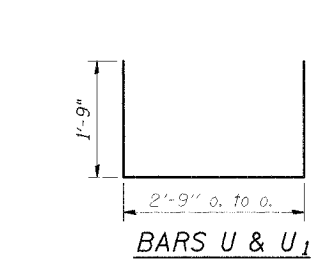
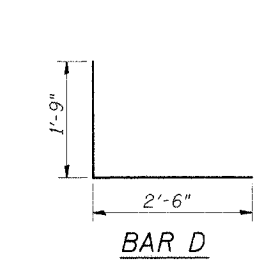
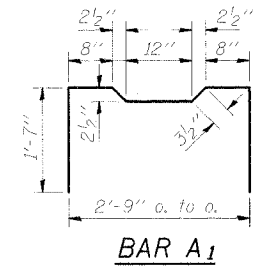


ROUTE NO.	SECTION	COUNTY	SHEET	TOTAL SHEETS
TR 96	*	Vermilion	12	8
FED. ROAD DIST. NO. 1		ILLINOIS		FED. AID PROJ. NO. 1

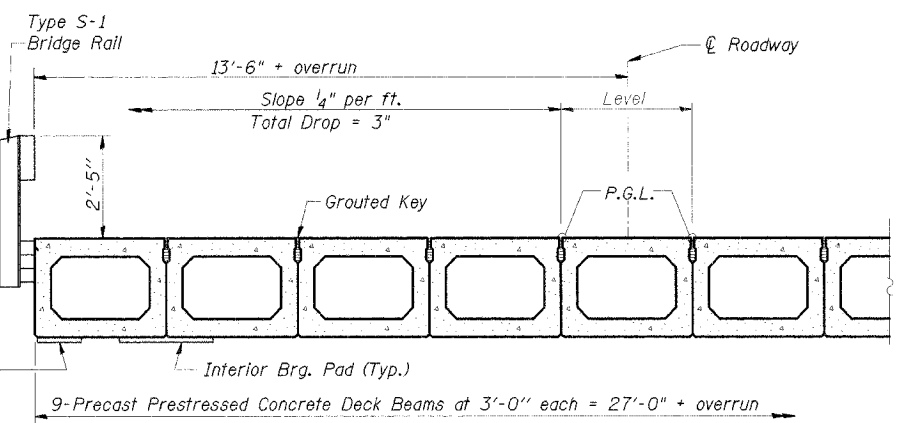
*02-03132-00-BR



Note: Place strands symmetrically about \bar{C} of beam.
 13-1/2" ϕ Strands Each Strand Stressed to 30,900 Lbs.
 7-Strands 1 3/4" up, 4-Strands 3/4" up,
 2-Strands 4/2" up



**Dowel rods to be grouted after beams are in place and prior to grouting the shear keys

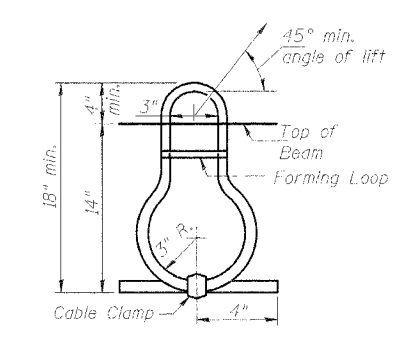
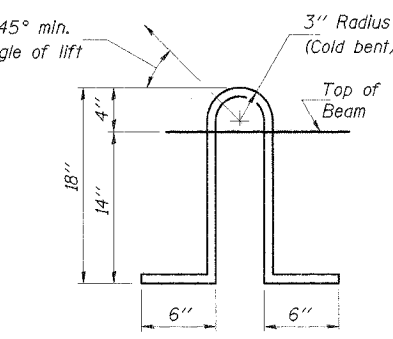
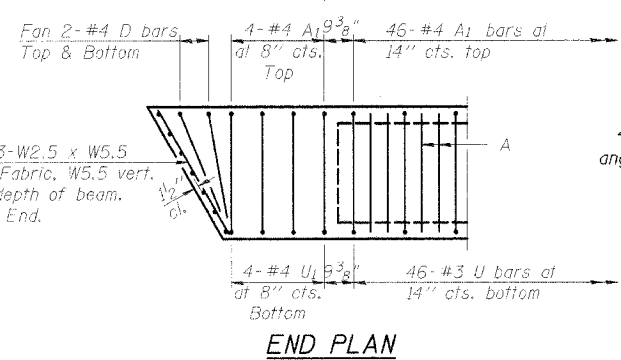
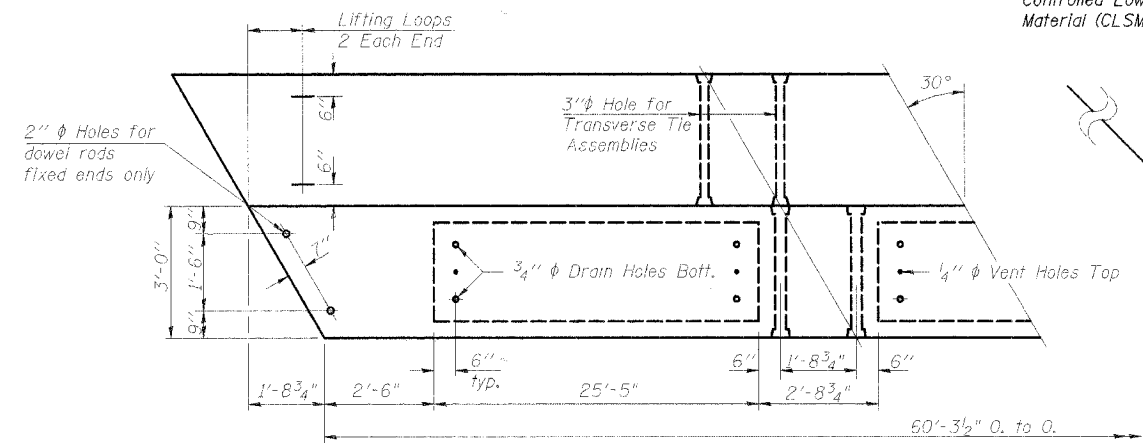


NOTES

BILL OF MATERIAL (One Beam)

Bar	No.	Size	Length	Shape
A	94	#3	2'-8"	—
A ₁	54	#4	6'-1"	┌
B	6	#5	21'-10"	—
B ₁	8	#5	12'-1"	—
B ₂	6	#4	21'-8"	—
D	8	#4	4'-3"	┌
U	46	#3	6'-3"	┌
U ₁	8	#4	6'-3"	┌
Precast Prestressed Conc. Deck Bms.				Sq. Ft. 1628*

*Total Quantity of Beams



Prestressing steel shall be uncoated high strength, stress-relieved 7-wire strand, Grade 270. Lifting loops shall be 3/4" diameter, 6x25 class wire rope with Tlber core and shall have a minimum ultimate tensile strength of 45,000 lbs. or 3-1/2" ϕ -270 ksi strands, as shown. The nominal diameter shall be 1/2" and the nominal cross-sectional area shall be 0.153 sq. in. The 1" rods in the transverse tie assembly shall be tightened to a snug fit and the threads set. Pockets that receive transverse tie bar on outside shall be filled with grout after transverse tie assembly is in place. Reinforcement bars shall conform to the requirements of AASHTO M-31, M-42 or M-53 Grade 60. The bearing seat surfaces shall be adjusted by shimming to assure firm and even bearing. Two 1/8" fabric adjusting shims of the dimensions of the Exterior Bearing Pad shall be provided for each bearing. Keyway surfaces shall be cleaned to remove form oil or other bond breaking material prior to shipment of the beams. Cleaning shall be done by sandblasting the keyway areas between top of the beam and the bottom edge of the key. A Calcium Nitrite Corrosion Inhibitor, as covered in the Special Provisions, shall be used in the concrete for precast prestressed concrete deck beams. Required Release Strength, f'ci, shall be 4000 p.s.i. An equal substitution of the low-relaxation strands for the stress-relieved strands will be permitted.

DSGN	R.T. Mumm				
DR	R.T. Mumm				
CHK	K.E. Brandau				
APVD	K.E. Brandau	NO.	DATE	REVISION	BY

PD-5-R 1 16 04

FRAUENHÖFFER
 Frauenhoffer and Associates, P.C. Consulting Engineers
 3002 Crossing Court Champaign, IL 61822 217-351-6268

SUPERSTRUCTURE		SHEET	8
CARROLL ROAD DISTRICT		DWG NO.	5072-sup.dgn
SECTION 02-03132-00-BR		DATE	JAN 2006
VERMILION COUNTY		PROJ NO.	5072