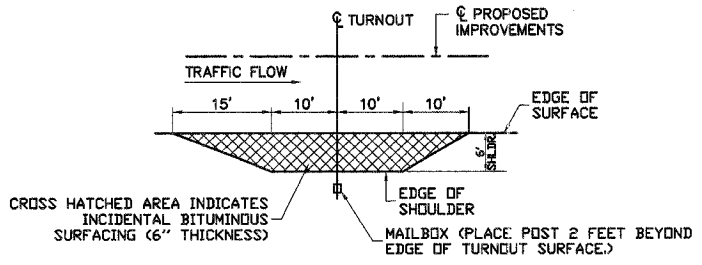
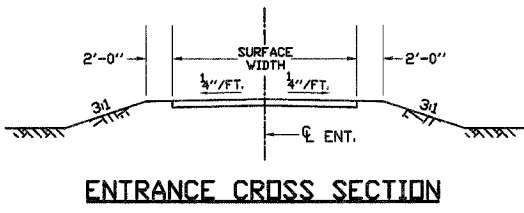
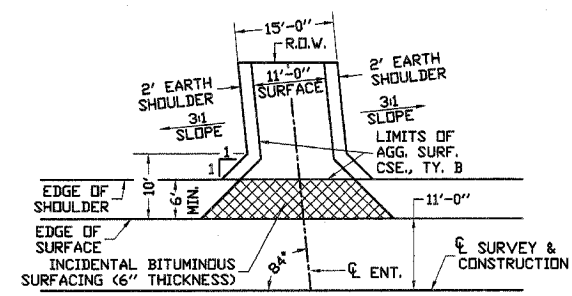
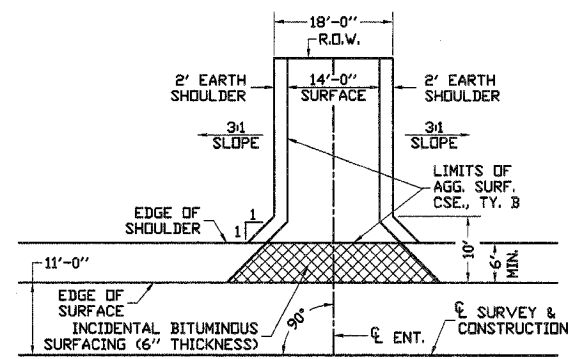
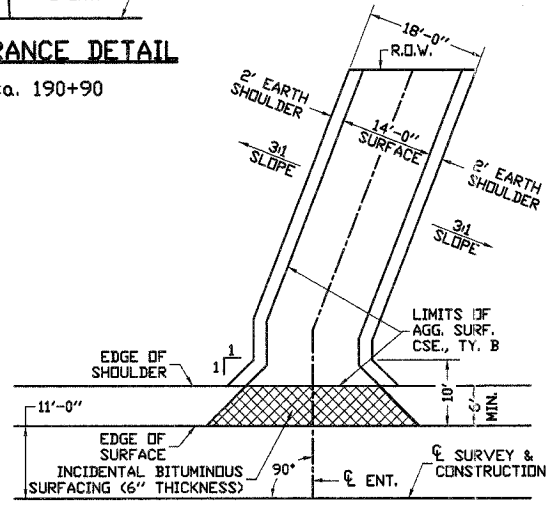
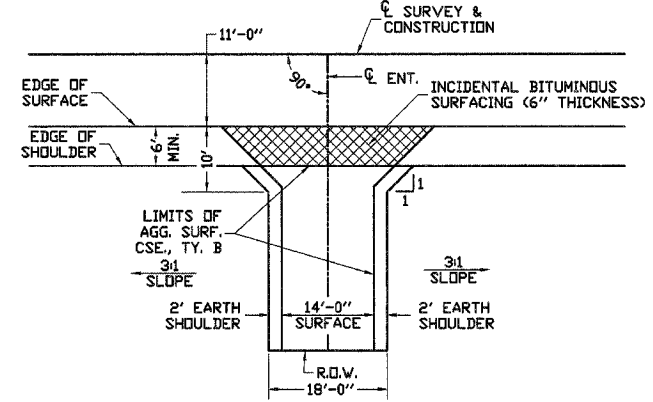
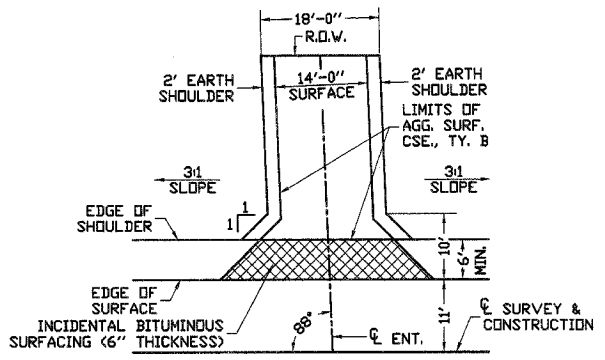
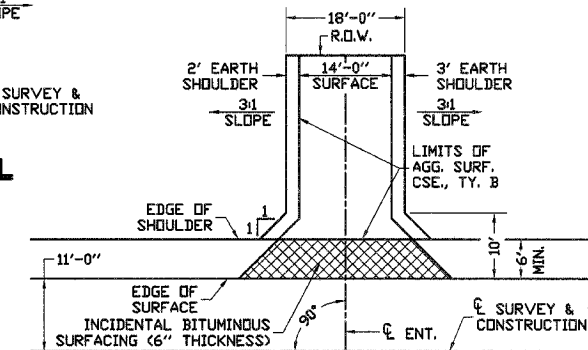
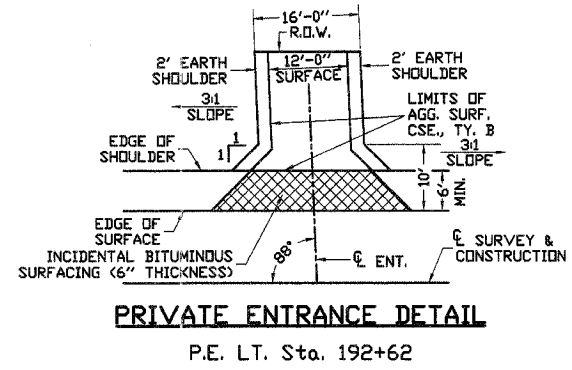
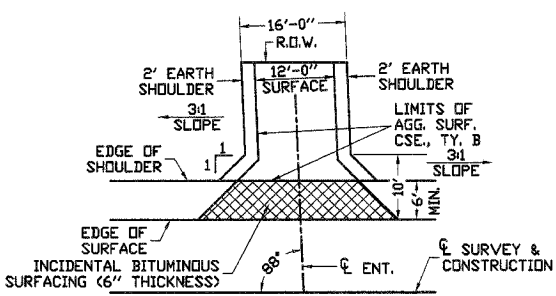
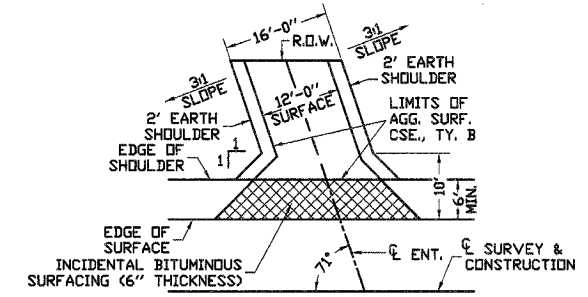
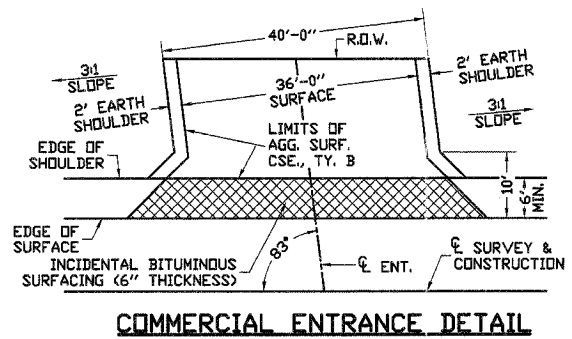
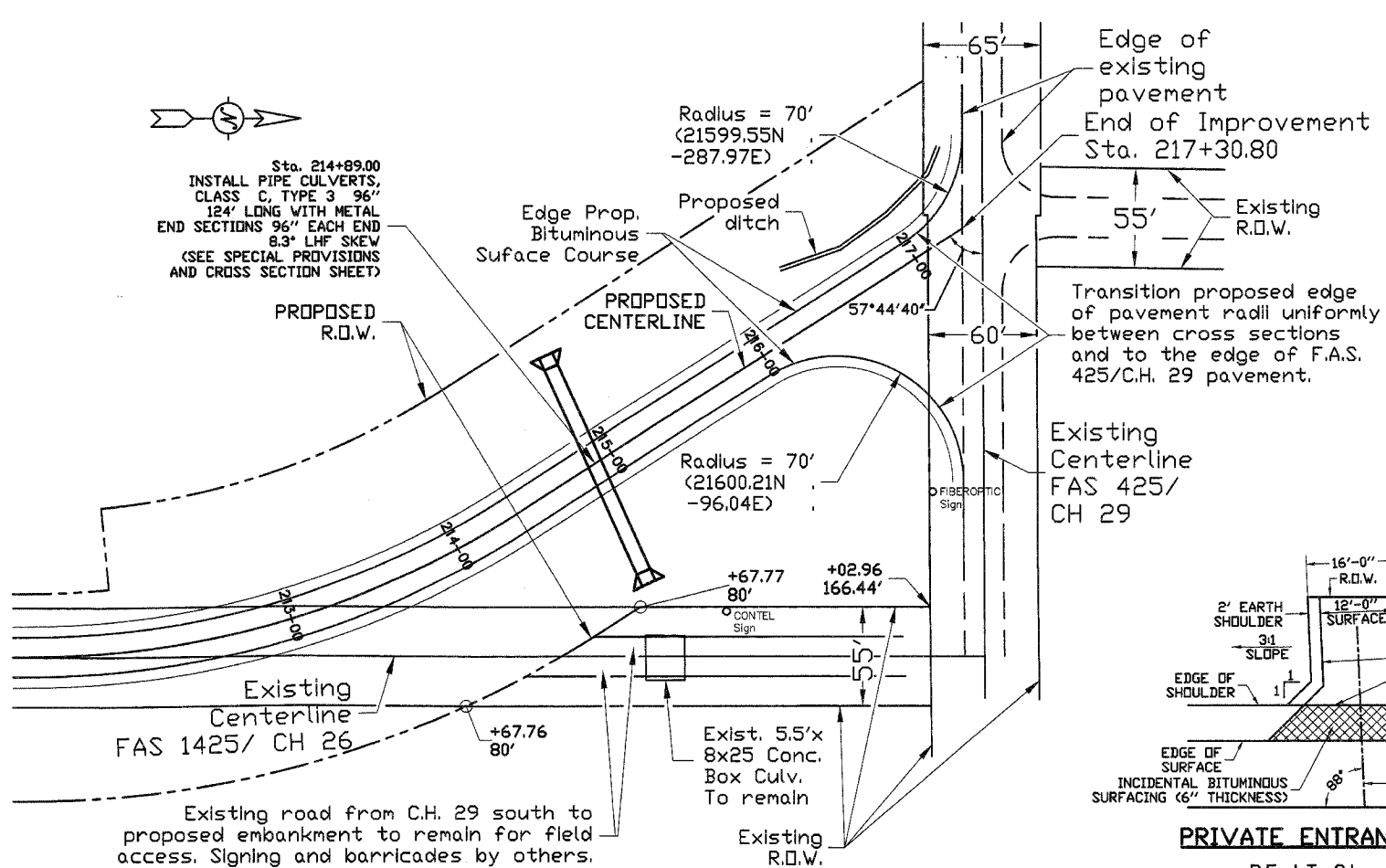


ROUTE NO.	SECTION	COUNTY	TOTAL SHEETS	SHEET NO.
F.A.S. 1425	99-00103-00-FP	HANCOCK	11	3
ROAD DISTRICT	ILLINOIS			



INTERSECTION, ENTRANCE & MAILBOX TURNOUT DETAILS

SECTION 99-00103-00-FP
COUNTY HIGHWAY 26
HANCOCK COUNTY