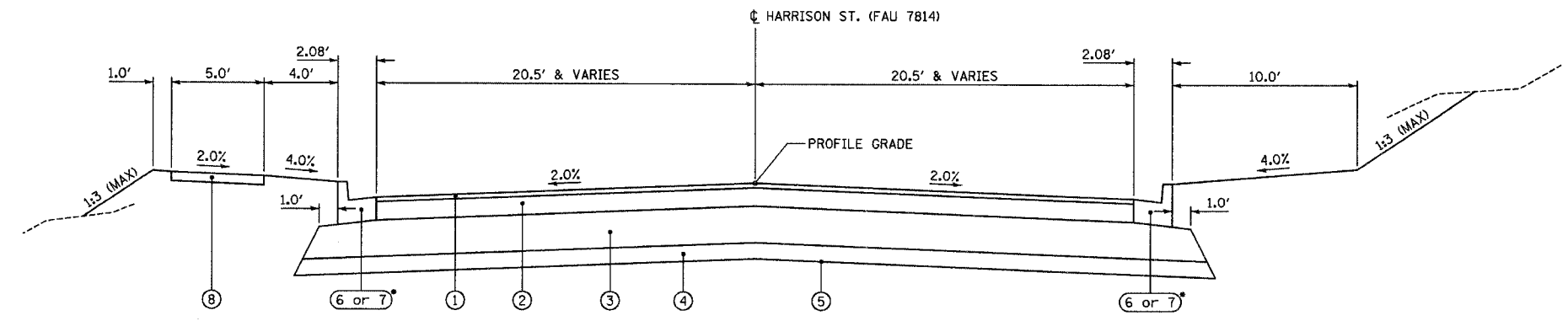


FAU RTE:	SECTION	COUNTY	TOTAL SHEETS	SHEET NO.
7814	05-00186-01-PV	ADAMS	78	8
STA.		TO STA.		
FED. ROAD DIST. NO.		ILLINOIS FED. AID PROJECT		



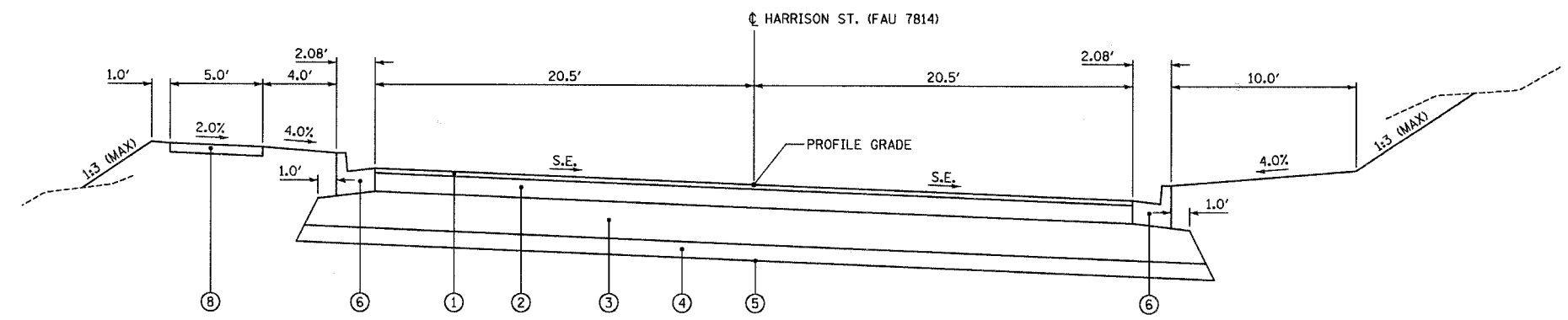
• - B-6.24 STA 200+21.00 TO STA 201+60.00

**TYPICAL HARRISON ST (FAU 7814) SECTION**

STA 200+21.00 TO STA 201+42  
 STA 113+56 TO STA 115+60.00

**PROPOSED LEGEND**

- ① POLYMERIZED BITUMINOUS CONCRETE SURFACE COURSE, SUPERPAVE, MIX "C", N50, 1 1/2"
- ② BITUMINOUS CONCRETE BINDER COURSE, SUPERPAVE, IL-19.0, N50, 5/4"
- ③ AGGREGATE BASE COURSE, TYPE A, 12"
- ④ SUBBASE GRANULAR MATERIAL, TYPE A, 6"
- ⑤ BIAXIAL GEOGRID
- ⑥ COMBINATION CONCRETE CURB AND GUTTER, TYPE B-6.18
- ⑦ COMBINATION CONCRETE CURB AND GUTTER, TYPE B-6.24
- ⑧ PORTLAND CEMENT CONCRETE SIDEWALK, 4"
- ⑨ GEOTECHNICAL FABRIC FOR GROUND STABILIZATION
- ⑩ BITUMINOUS CONCRETE BINDER COURSE, SUPERPAVE, IL-19.0, N50, 2 1/2"
- ⑪ AGGREGATE BASE COURSE, TYPE A, 8"



**TYPICAL SUPERELEVATED HARRISON ST (FAU 7814) SECTION**

STA 201+42 TO STA 201+96 S.E. ATTAINED  
 STA 201+96 TO STA 207+83 S.E. = 2.0% (RIGHT)  
 STA 207+83 TO STA 208+37 S.E. REMOVED  
 STA 208+37 TO STA 208+91 S.E. ATTAINED  
 STA 208+91 TO STA 214+88 S.E. = 2.0% (LEFT)  
 STA 214+88 TO STA 113+56 S.E. REMOVED STATION EQ: 215+05.89 BK = 113+20.00 AH

**BITUMINOUS PAVEMENT DESIGN (HARRISON ST.)**

STRUCTURAL DESIGN TRAFFIC (STD) YEAR: 2015  
 ADT: 3380  
 PERCENT OF STD FOR SECTION:  
 PV=94% SU=5% MU=1%  
 STD VOLUMES:  
 PV=3177 SU=169 MU=34  
 CLASS II ROAD  
 SOIL CLASSIFICATION=FAIR  
 TRAFFIC FACTOR=0.26  
 PROVIDE:  
 6.75" BITUMINOUS CONCRETE BINDER & SURFACE COURSE (N50)  
 12.00" AGGREGATE BASE COURSE, TYPE A

**MIXTURE REQUIREMENTS**

MIXTURE NUMBER:	NO. 1	NO. 2	NO. 3	NO. 4
LOCATION(S):	HARRISON (FAU 7814)	HARRISON (FAU 7814)	SIDE STREETS	SIDE STREETS
MIXTURE USE(S):	SURFACE COURSE	BINDER COURSE	SURFACE COURSE	BINDER COURSE
AC/PG:	SBS PG 64-28	PG 64-22	PG 64-28	PG 64-22
RAP % (MAX)	0%	25%	0%	25%
DESIGN AIR VOIDS:	4% @ Ndesign = 50	4% @ Ndesign = 50	4% @ Ndesign = 50	4% @ Ndesign = 50
MIXTURE COMPOSITION: (GRADATION MIXTURE)	IL-9.5 OR IL-12.5	IL-19.0	IL-9.5L	IL-19.0
FRICTION AGGREGATE	MIX "C"	N/A	MIX "C"	N/A

REVISIONS	
NAME	DATE
TITLE BLOCK - SEB	9/26/05
MIX DES. - SEB	12/19/05
ROW COMM. - SEB	3/6/06

TYPICAL SECTIONS  
 PROPOSED HARRISON  
 FAU 7814 (HARRISON STREET)  
 SECTION 05-00186-01-PV  
 ADAMS COUNTY

SCALE: NONE DRAWN BY BOJ/SEB  
 DATE 9/12/05 CHECKED BY SRW

3/6/2006