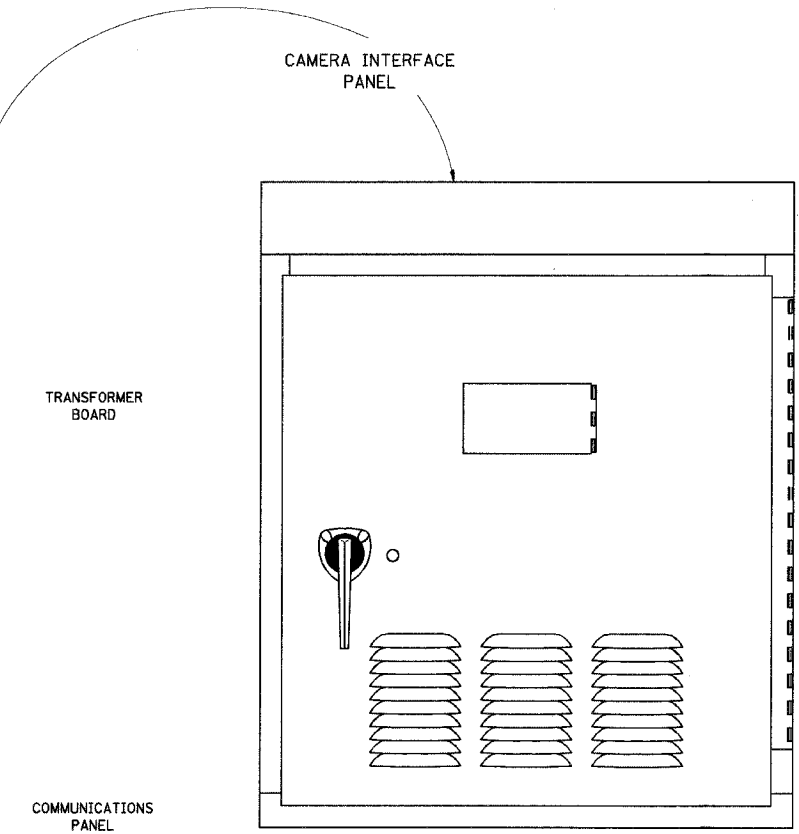
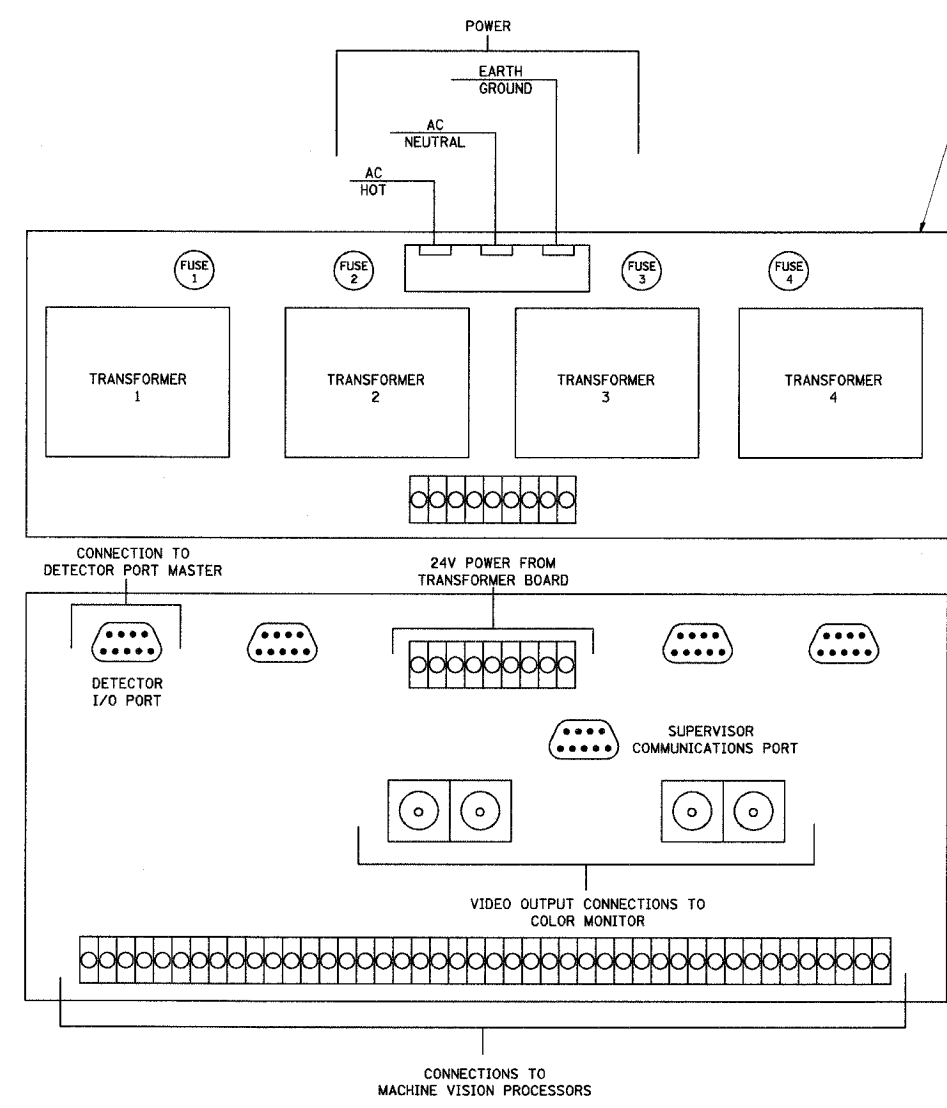
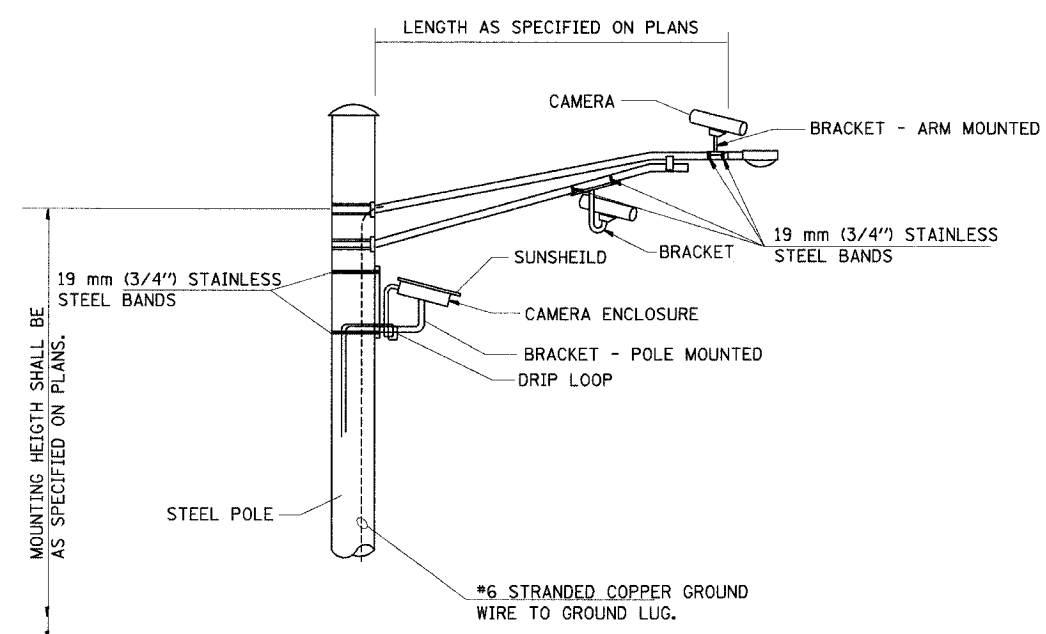
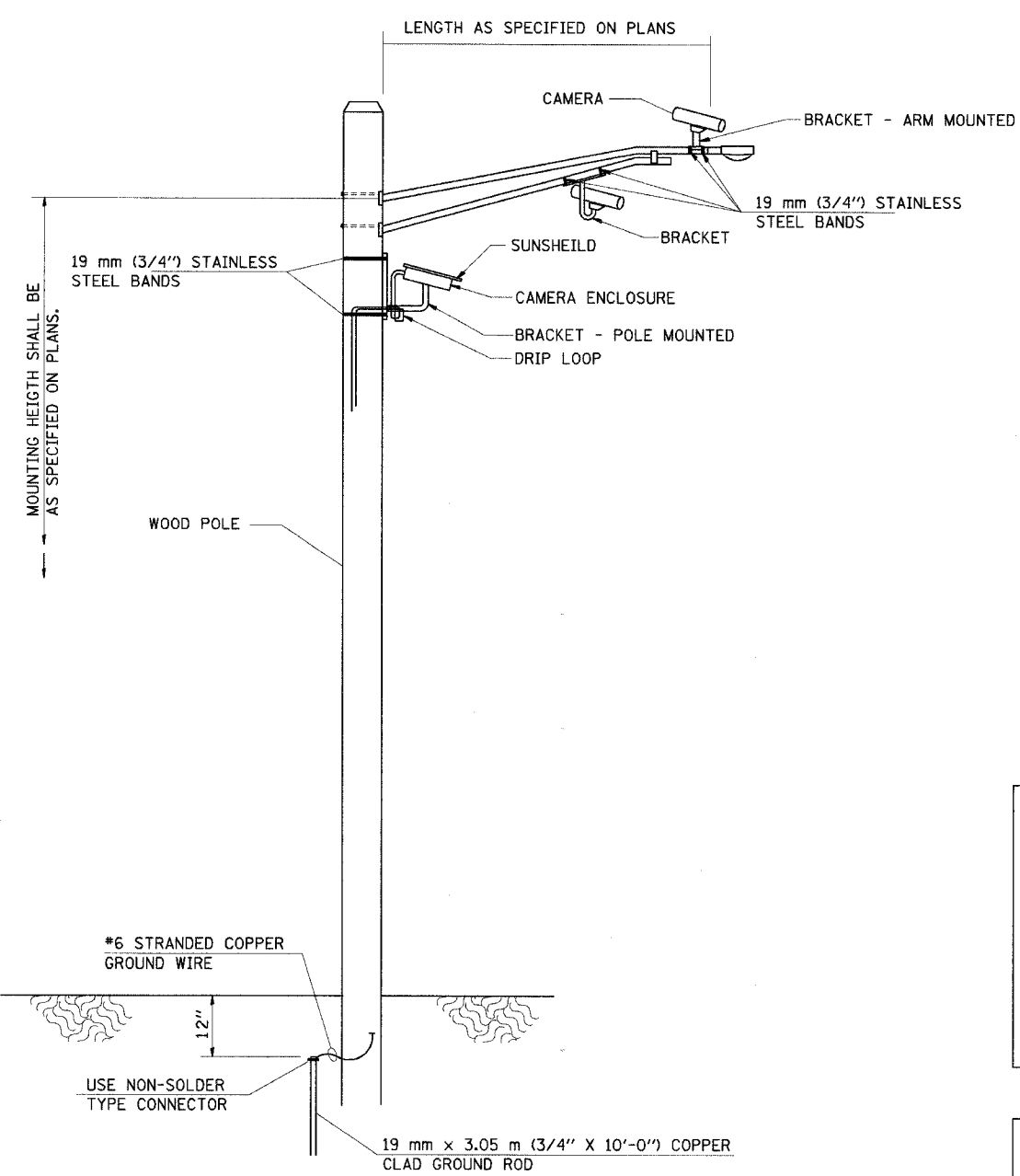


FAU. RTE.	SECTION	COUNTY	TOTAL SHEETS	SHEET NO.
7814	05-00186-01-PV	ADAMS	78	40
STA.		TO STA.		
FED. ROAD DIST. NO.		ILLINOIS FED. AID PROJECT		



**VIDEO DETECTION SYSTEM INSTALLATION
ARM MOUNTED OR POLE MOUNTED CAMERA**

REVISIONS		
NAME	DATE	
TITLE BLOCK - SEB	9/26/05	

**TRAFFIC SIGNAL - VIDEO
DETECTION SYSTEM DETAILS**
 FAU 7814 (HARRISON STREET)
 SECTION 05-00186-01-PV
 ADAMS COUNTY

SCALE: NONE
 DATE: 9/12/05

DRAWN BY: IDOT
 CHECKED BY: SRW

3/6/2006

P:\B4F\Jama\040250\A\Contra\est1\A8_040250.dwg