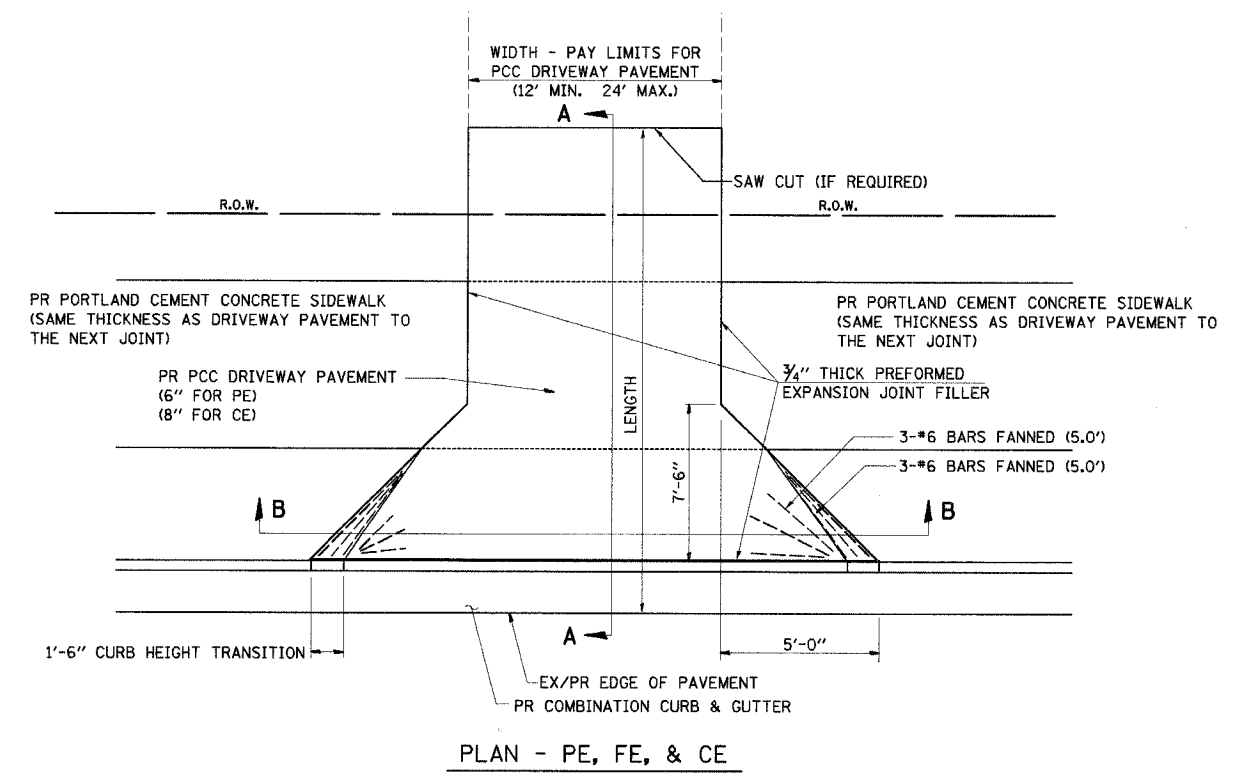
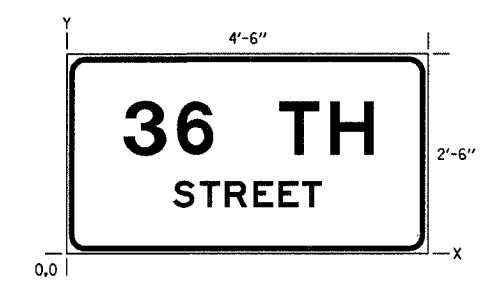


FAU RTE.	SECTION	COUNTY	TOTAL SHEETS	SHEET NO.
7814	05-00186-01-PV	ADAMS	78	42
STA.		TO STA.		
FED. ROAD DIST. NO.		ILLINOIS FED. AID PROJECT		



SIGN DETAIL
SCALE: NONE

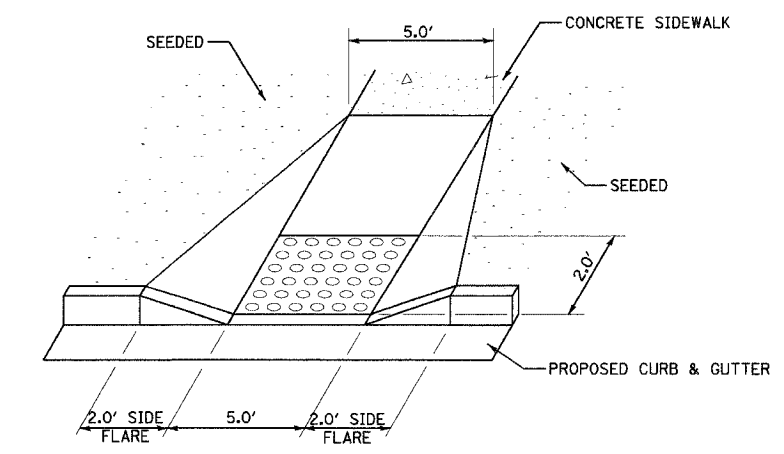
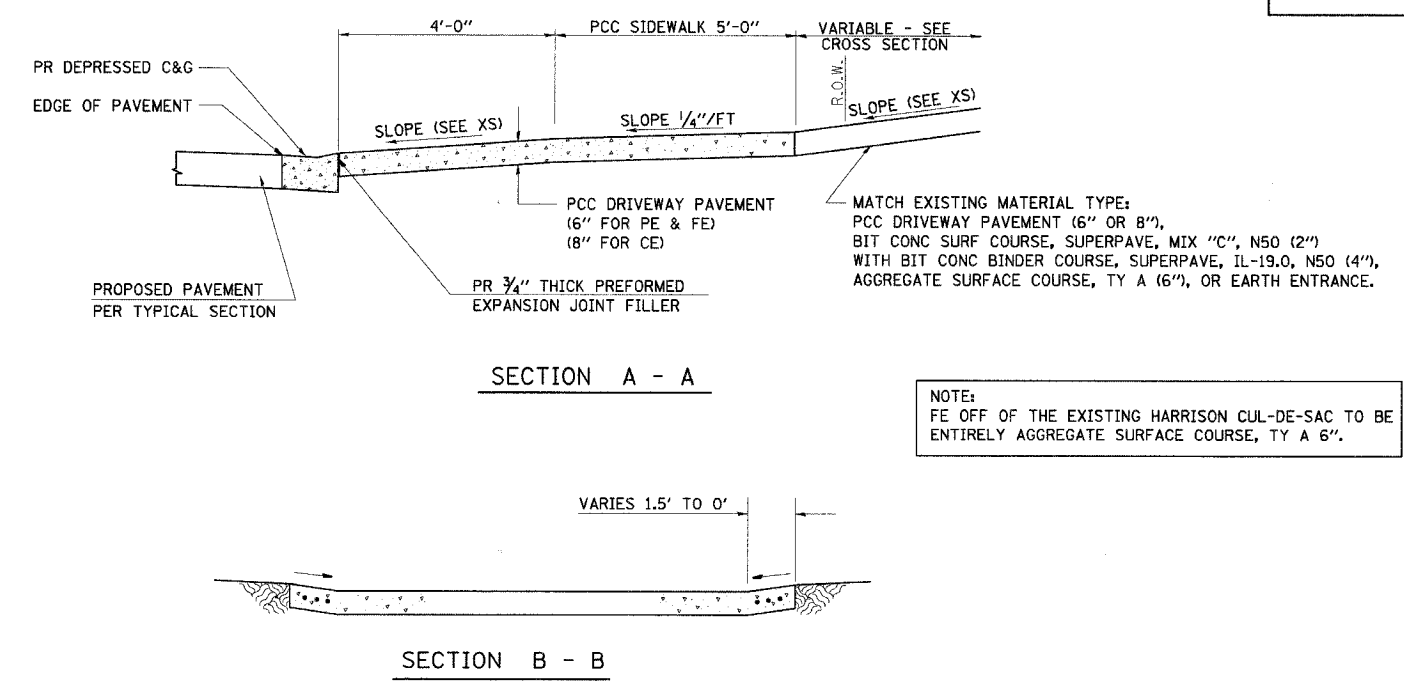


SIGN NUMBER	ESIGN001
WIDTH x HEIGHT	4'-6" x 2'-6"
BORDER WIDTH	0.8"
CORNER RADIUS	2.4"
MOUNTING	OVERHEAD
BACKGROUND	TYPE: REFLECTIVE
	COLOR: GREEN
LEGEND/BORDER	TYPE: REFLECTIVE
	COLOR: WHITE

SYMBOL	X	Y	WID	HT

DIMENSIONS IN INCHES COORDINATES ARE TO LOWER LEFT CORNERS

Y	FONT	LETTER POSITIONS (X)										HT	
LEN													
14.9	3 6 T H												8.0
E	8.1 16.2 31.7 39.3												37.7
7.0	S T R E E T												3.9
E	15.9 19.9 23.6 27.9 31.6 35.1												22.2



- NOTES:
1. THE COST OF FURNISHING AND INSTALLING THE 3/4" PREFORMED EXPANSION JOINT FILLER, REINFORCEMENT BARS, AND SAW CUT SHALL BE INCLUDED IN THE COST OF PCC DRIVEWAY PAVEMENT.

SIDEWALK RAMP AT SIDE ROADS
SEE STANDARD 424001-04 FOR ADDITIONAL DETAILS

REVISIONS	
NAME	DATE
TITLE BLOCK - SEB	9/26/05
MISSING DIM - SEB	3/6/06

MISCELLANEOUS DETAILS
ENTRANCES, SW RAMPS & SIGNAGE
FAU 7814 (HARRISON STREET)
SECTION 05-00186-01-PV
ADAMS COUNTY

SCALE: NONE DRAWN BY: BDJ
DATE: 9/12/05 CHECKED BY: SRW

9/12/05
 P:\1841\user\BEPER\cadd\0511\12_04\BEPER04a.mcd