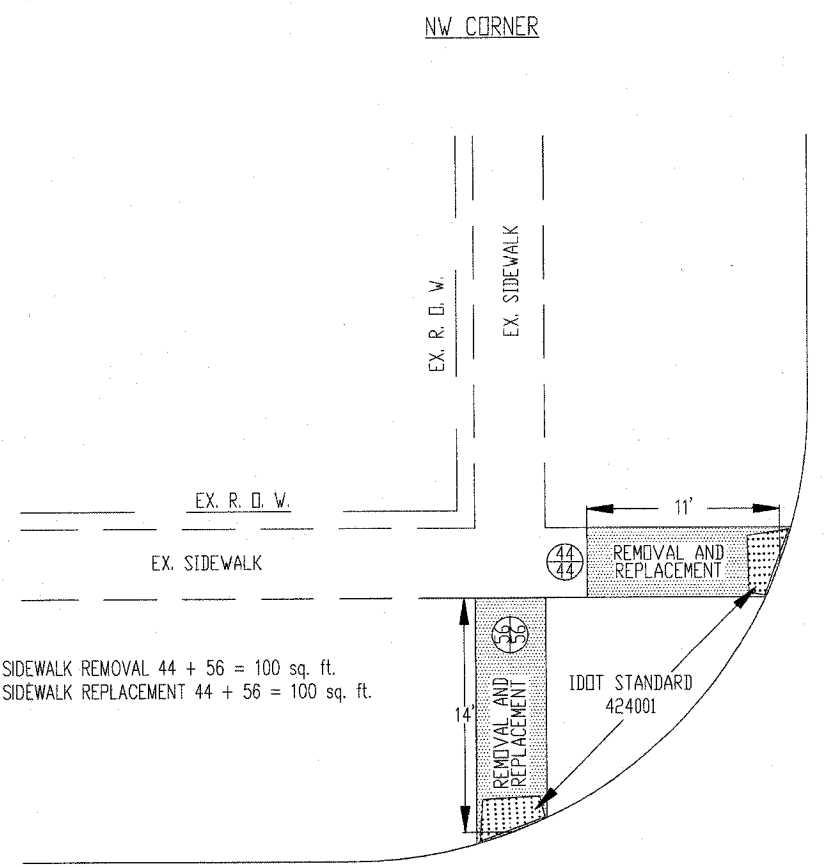
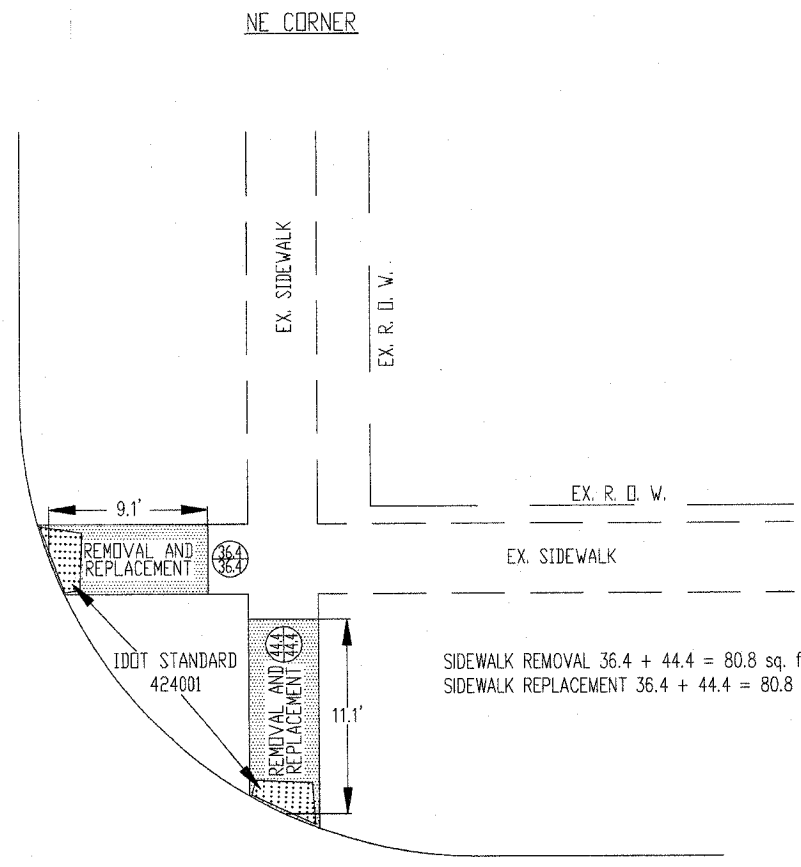


ROUTE NO.	SEC.	COUNTY	TOTAL SHEETS	SHEET NO.
7989	*	SANGAMON	7	6
STA.	TO		STA.	
	ILLINOIS		PROJECT	

* 04-00441-00-TL
33419
25418



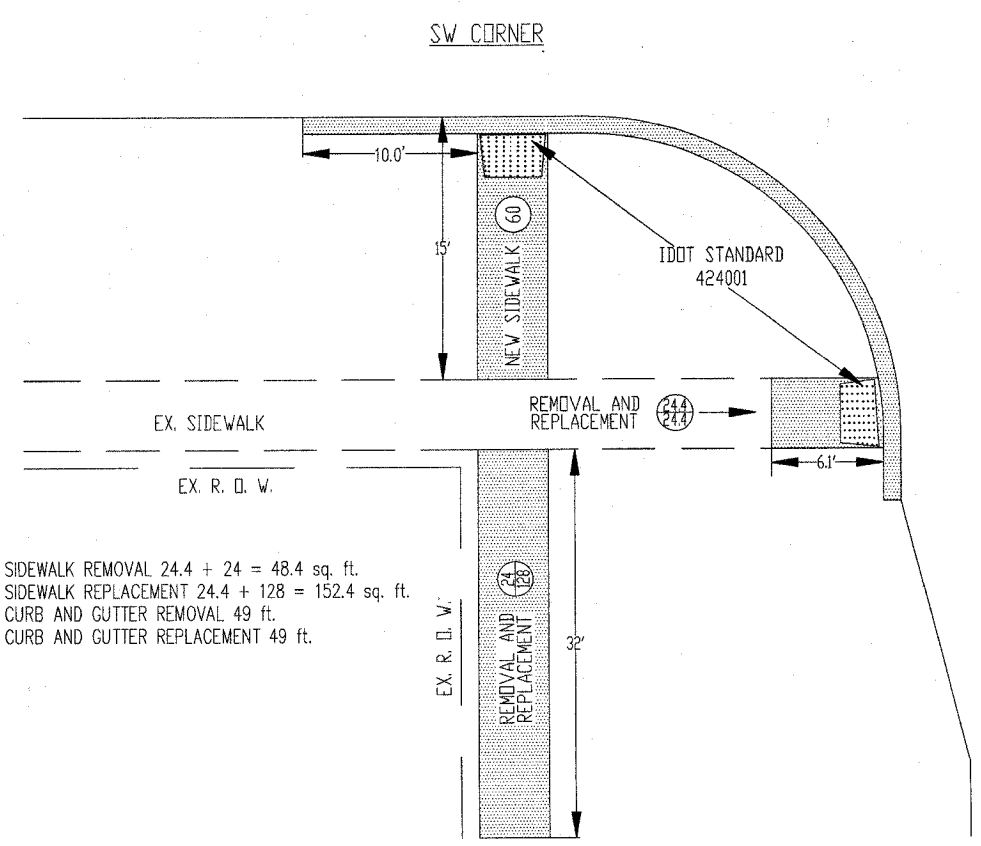
SIDEWALK REMOVAL 44 + 56 = 100 sq. ft.
 SIDEWALK REPLACEMENT 44 + 56 = 100 sq. ft.



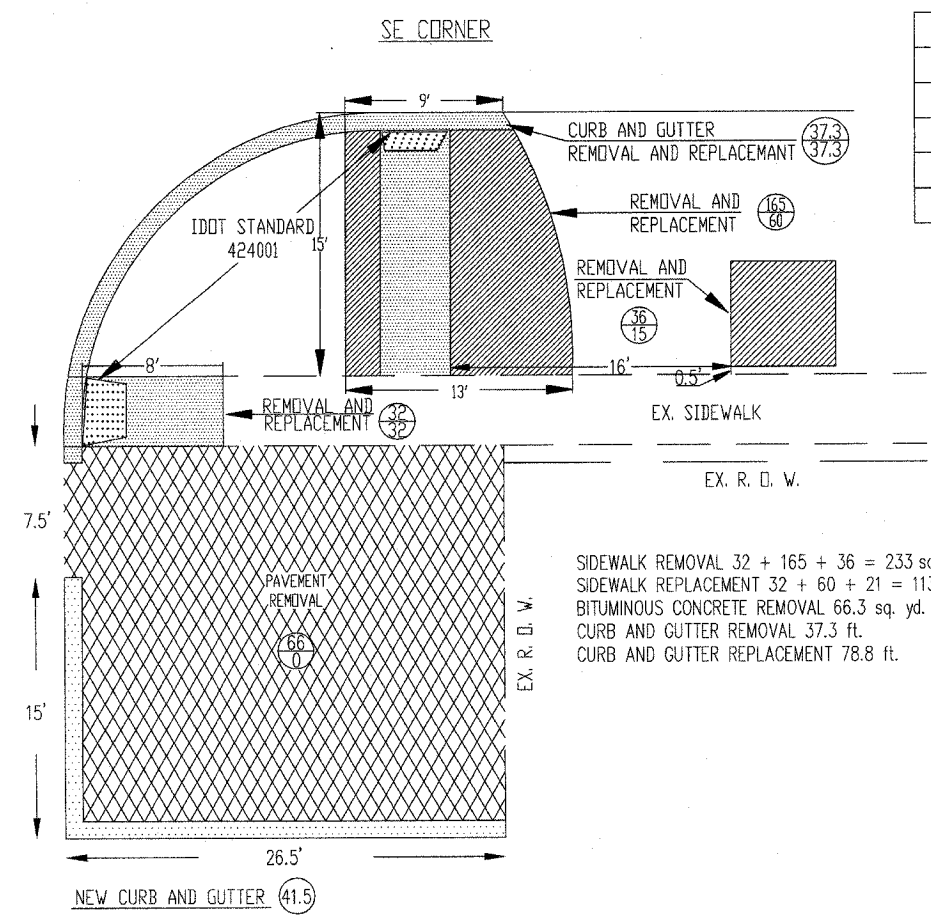
SIDEWALK REMOVAL 36.4 + 44.4 = 80.8 sq. ft.
 SIDEWALK REPLACEMENT 36.4 + 44.4 = 80.8 sq. ft.

LEGEND

PROPOSED	DISCRPTION
⊖	- SQ. FT. SIDEWALK REMOVAL
▨	- SQ. FT. P.C.C. SIDEWALK, 4"
▩	- SIDEWALK, CURB AND GUTTER TO BE REMOVED
▧	- SIDEWALK, CURB AND GUTTER TO BE REPLACED
▩	- BITUMINOUS CONCRETE REMOVAL



SIDEWALK REMOVAL 24.4 + 24 = 48.4 sq. ft.
 SIDEWALK REPLACEMENT 24.4 + 128 = 152.4 sq. ft.
 CURB AND GUTTER REMOVAL 49 ft.
 CURB AND GUTTER REPLACEMENT 49 ft.



SIDEWALK REMOVAL 32 + 165 + 36 = 233 sq. ft.
 SIDEWALK REPLACEMENT 32 + 60 + 21 = 113 sq. ft.
 BITUMINOUS CONCRETE REMOVAL 66.3 sq. yd.
 CURB AND GUTTER REMOVAL 37.3 ft.
 CURB AND GUTTER REPLACEMENT 78.8 ft.

	NE CORNER	NW CORNER	SW CORNER	SE CORNER	TOTAL
SIDEWALK REMOVAL	80.8	100	48.4	233	462.2 SQ.FT.
SIDEWALK REPLACEMENT	80.8	100	152.4	113	446.2 SQ. FT.
BITUMINOUS CONCRETE REMOVAL				66.3 SQ. YD.	66.3 SQ. YD.
CURB AND GUTTER REMOVAL			49	37.3	86.3 FT.
CURB AND GUTTER REPLACEMENT			49	78.8	127.8 FT.

DETAIL PLAN
SOUTH GRAND AVE. AND WHEELER AVE.

CITY OF SPRINGFIELD, ILLINOIS
 OFFICE OF PUBLIC WORKS
 TRAFFIC ENGINEERING

DESIGNED BY:	SCALE: 1:20	SHEET 6
DRAWN BY:	DATE:	7 OF 7 SHEETS
CHECKED BY:		
PROTOTYPE/LEGEND DWG		