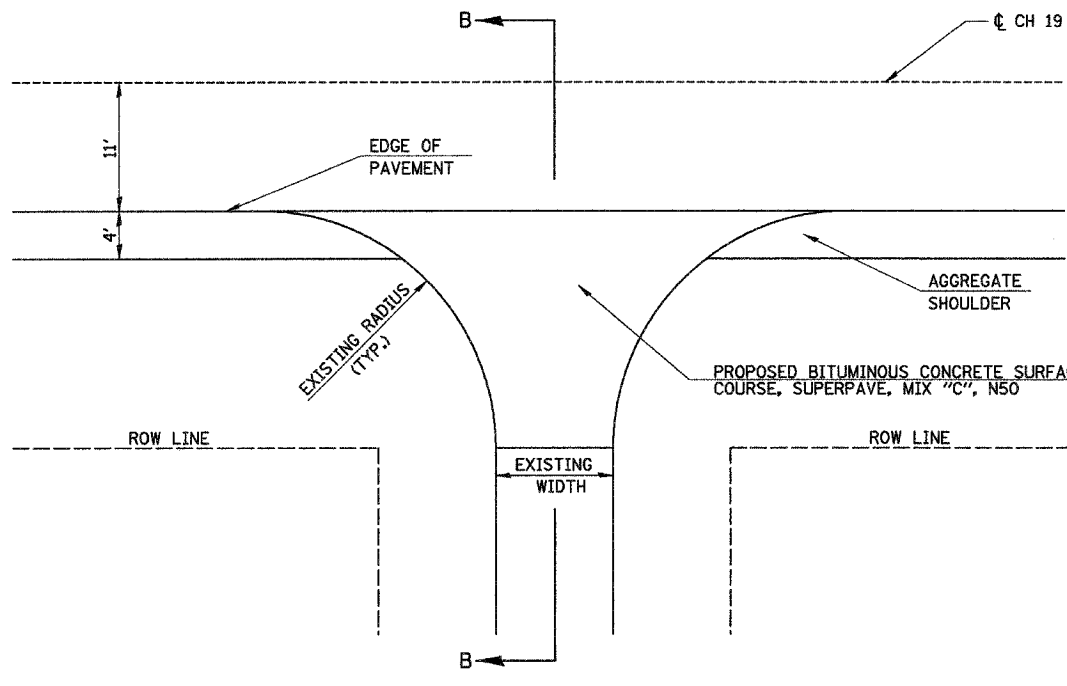
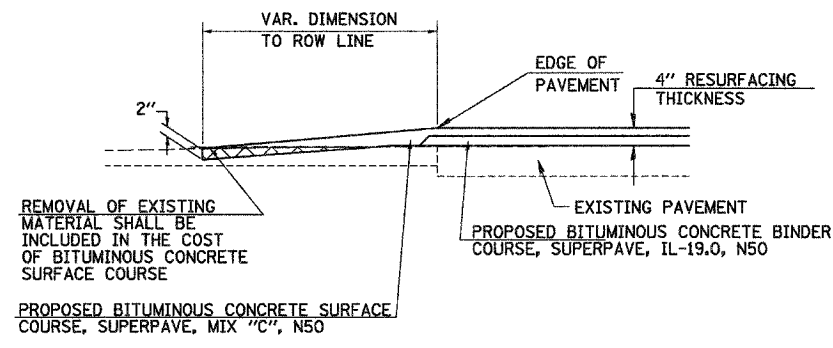


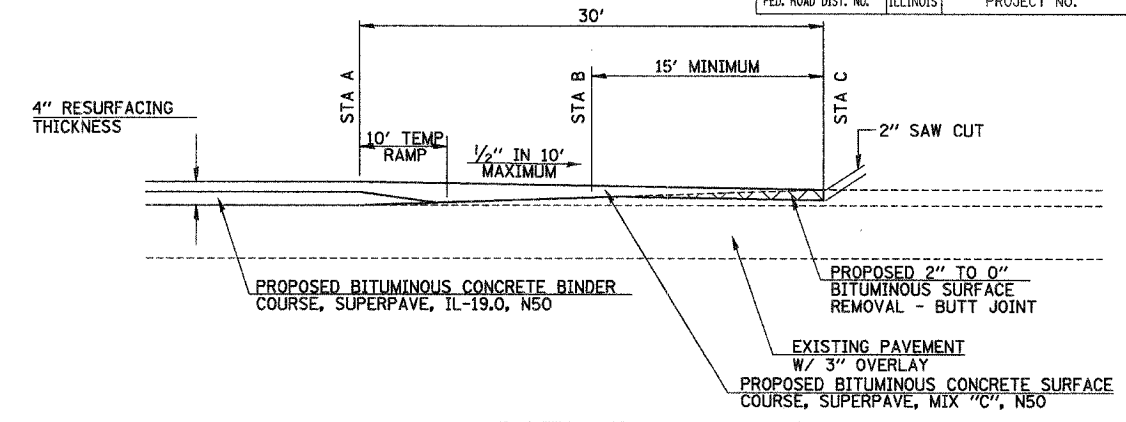
F.A.S. RTE	SECTION	COUNTY	TOTAL SHEETS	SHEET NO.
611	05-00093-02-RS	MORGAN	8	8
FED. ROAD DIST. NO.	ILLINOIS	PROJECT NO.		



PLAN

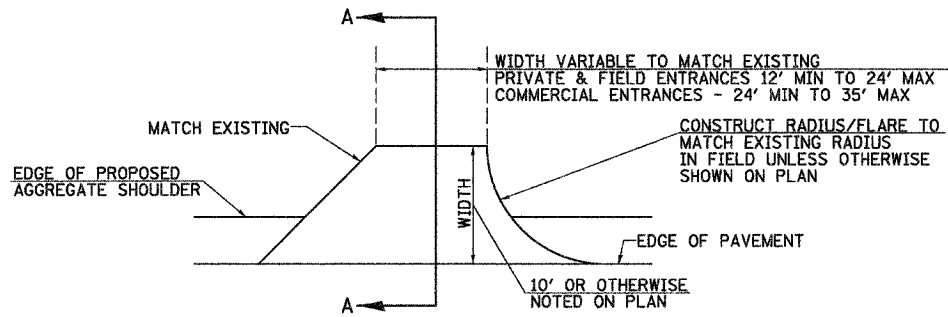


SECTION B-B
PROPOSED SIDEROAD TAPER

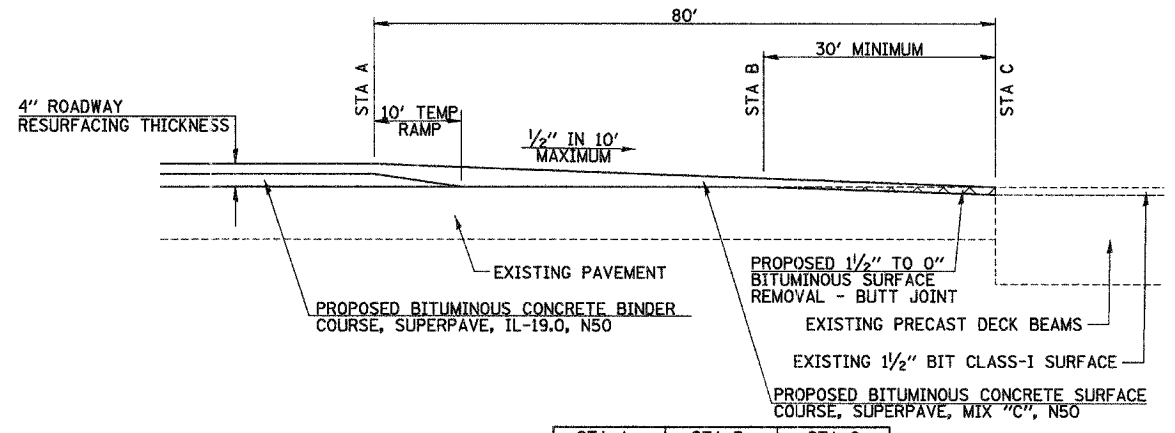


STA A	STA B	STA C
199+79.25	199+94.25	200+09.25

EAST END BUTT JOINT DETAIL

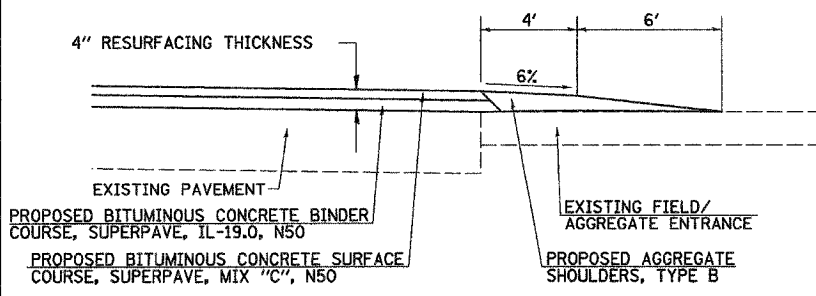


PLAN

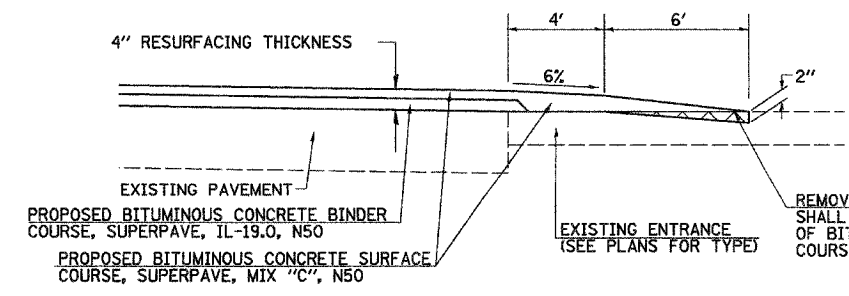


STA A	STA B	STA C
112+48.33	112+98.33	113+28.33
115+09.66	114+59.66	114+29.66

BRIDGE TAPER/BUTT JOINT DETAIL

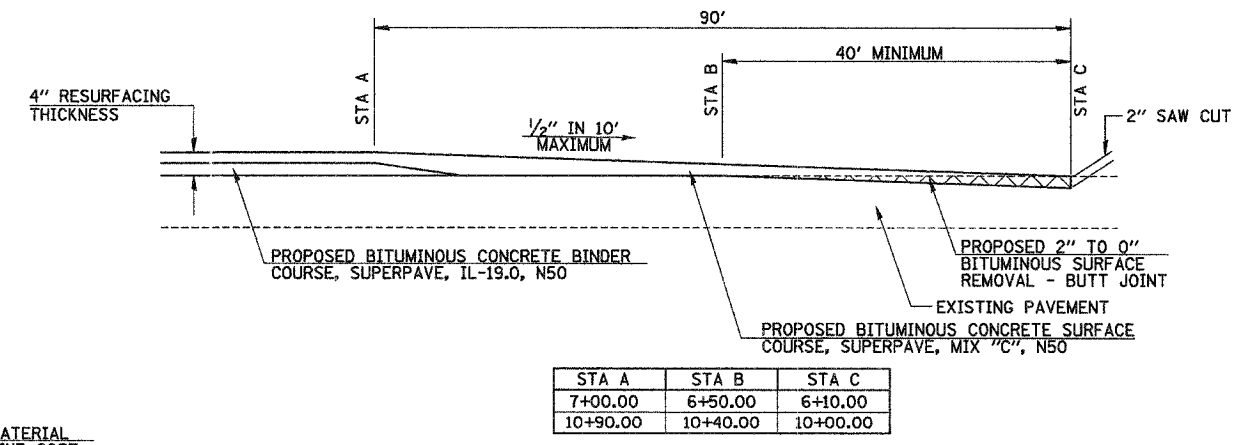


SECTION A-A
AGGREGATE PRIVATE/FIELD ENTRANCES



SECTION A-A
BITUMINOUS PRIVATE ENTRANCES

ENTRANCE TAPERS



STA A	STA B	STA C
7+00.00	6+50.00	6+10.00
10+90.00	10+40.00	10+00.00

WEST END BUTT JOINT DETAIL

REVISIONS	
NAME	DATE
JRB	4/20/06

ILLINOIS DEPARTMENT OF TRANSPORTATION
COUNTY HIGHWAY 19
SPECIAL DETAILS

SCALE: VERT. NONE
HORIZ. NONE
DATE 1/31/06

DRAWN BY JCW
CHECKED BY JRB