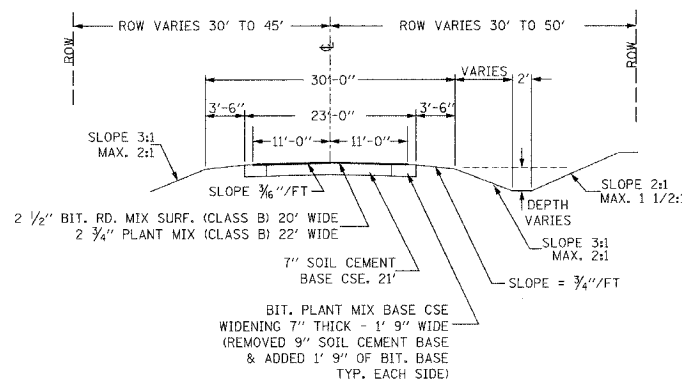


F.A.S.	SECTION	COUNTY	TOTAL SHEETS	SHEET NO.
800	01-00068-00-RS	WABASH	4	2
FED. ROAD DIST. NO. 1		ILLINOIS	LANCASTER EAST	
LEC JOB # H041014WB			CONTRACT # 95439	

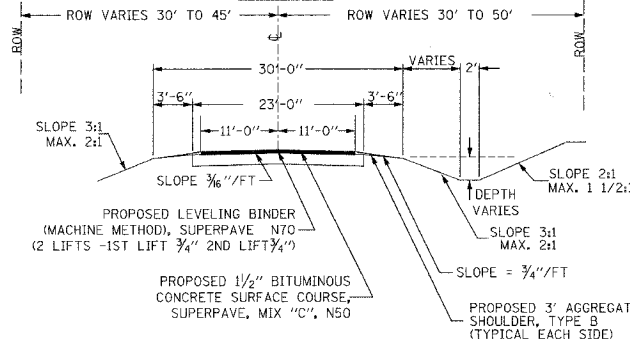
TYPICAL CROSS SECTION

EXISTING



TYPICAL CROSS SECTION

PROPOSED



GENERAL NOTES:

THIS SECTION CONSISTS OF PAVEMENT REMOVAL AND REPLACEMENT SPECIAL, LEVELING BINDER (MACHINE METHOD), SUPERPAVE N70, AND BITUMINOUS CONCRETE SURFACE COURSE, SUPERPAVE, MIX "C", N50, AGGREGATE SHOULDERS, AND OTHER MISCELLANEOUS ITEMS NECESSARY TO COMPLETE THE PROJECT, ALL IN ACCORDANCE WITH THE PLANS, SPECIAL PROVISIONS AND "STANDARD SPECIFICATIONS FOR ROAD AND BRIDGE CONSTRUCTION" ADOPTED JANUARY 1, 2002.

THE EXISTING GRADE, ALIGNMENT, DRAINAGE STRUCTURES, BASE AND SURFACE WERE CONSTRUCTED UNDER SECTIONS 26-G AND 26-Q, 77-00041-00-WR AND SHALL REMAIN IN PLACE. ALL STATIONS REFERRED TO IN THE PLANS AND PROPOSAL ARE REFERENCED TO THE ABOVE MENTIONED SECTIONS.

MAXIMUM PERCENT OF GRADE	-3.83 %
MINIMUM STOPPING SIGHT DISTANCE	525 FT
DESIGN SPEED	50 MPH
CURRENT ADT	1150 VPD
DESIGN ADT (20 YEAR)	1500 VPD

THE BITUMINOUS CONCRETE SURFACE COURSE, SUPERPAVE, MIX "C", N50 SHALL BE PLACED IN ONE LIFT WITH A MINIMUM THICKNESS OF 1 1/2".

THE QUANTITY SHOWN IN THE SUMMARY OF QUANTITIES FOR BITUMINOUS CONCRETE SURFACE COURSE, SUPERPAVE, MIX "C", N50 ALLOWS 168.9 TON FOR THE INTERSECTIONS, SIDEROADS, AND TAPERS; 247.5 TON FOR THE ENTRANCES; 97.6 TON FOR THE MAILBOX TURNOUTS, AND 3176.0 TON FOR THE 1/2" BITUMINOUS CONCRETE SURFACE COURSE, SUPERPAVE, MIX "C", N50.

A BITUMINOUS TAPER OF 0" TO 3" SHALL BE CONSTRUCTED FROM STATION -0+13 TO STATION 0+37 AND 3" TO 0" FROM STATION 155+04.55 TO STATION 155+54.55.

THE FOLLOWING RATES HAVE BEEN USED TO CALCULATE PLAN QUANTITIES:

AGGREGATE SHOULDERS TY. B	1.8 T / CU YD
BITUMINOUS CONCRETE	0.0560 T / SQ YD * INCH
AGGREGATE PRIME COAT	0.001 T / SQ YD
BITUMINOUS MATERIAL (PRIME COAT)	0.05 GAL / SQ YD

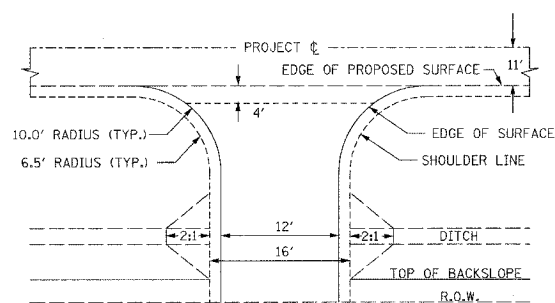
THE QUANTITY SHOWN IN THE SUMMARY OF QUANTITIES FOR GRADING AND SHAPING DITCHES ALLOWS 50 FOOT AT EACH END OF ALL PIPES TO BE REPLACED AT STATIONS SHOWN IN SCHEDULE OF AR PIPE CULVERTS, CLASS C.

SUMMARY OF QUANTITIES

QUANTITY	UNIT	ITEM	CODE NUMBER
1557.00	FOOT	SHORT-TERM PAVEMENT MARKING REMOVAL	XX003140
151.00	TON	PAVEMENT REMOVAL AND REPLACEMENT (SPECIAL)	XX127400
3690.00	TON	BITUMINOUS CONCRETE SURFACE COURSE, SUPERPAVE, MIX "C", N50	X4066414
4058.00	TON	LEVELING BINDER (MACHINE METHOD), SUPERPAVE N50	X4066765
320.00	CU YD	CONTROLLED LOW-STRENGTH MATERIAL	Z0013825
500.00	FOOT	GRADING AND SHAPING DITCHES	21400100
2355.00	GALLON	BITUMINOUS MATERIALS (PRIME COAT)	40600100
47.00	TON	AGGREGATE (PRIME COAT)	40600300
1796.00	TON	AGGREGATE SHOULDERS, TYPE B	48101200
109.00	FOOT	PIPE CULVERTS, CLASS C, TYPE 2 18"	542C1063
57.00	FOOT	PIPE CULVERTS, CLASS C, TYPE 2 24"	542C1069
66.00	FOOT	PIPE CULVERTS, CLASS C, TYPE 2 30"	542C1075
46.00	FOOT	PIPE CULVERTS, CLASS C, TYPE 2 42"	542C1087
4.00	EACH	METAL END SECTIONS 18"	54215553
2.00	EACH	METAL END SECTIONS 24"	54215559
2.00	EACH	METAL END SECTIONS 30"	54215565
2.00	EACH	METAL END SECTIONS 42"	54215577
1.00	L SUM	MOBILIZATION	67100100
1.00	L SUM	TRAFFIC CONTROL AND PROTECTION, STANDARD 701306	70100460
1.00	L SUM	TRAFFIC CONTROL AND PROTECTION, STANDARD 701336	70100600
6227.00	FOOT	SHORT-TERM PAVEMENT MARKING	70300100
43852.00	FOOT	PAINT PAVEMENT MARKING-LINE 4"	78001110 *
195.00	EACH	RAISED REFLECTIVE PAVEMENT MARKER	78100100 *

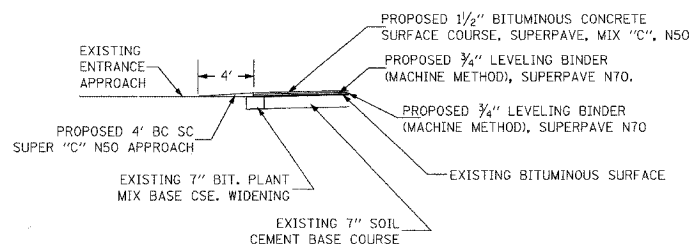
*SPECIALTY ITEMS

DETAIL OF PRIVATE AND FIELD ENTRANCES



NOTE: THE 4' AREA FROM THE EDGE OF SURFACE, AS SHOWN ABOVE, SHALL BE BITUMINOUS CONCRETE SURFACE COURSE, SUPERPAVE, MIX "C", N50 FOR THE PRIVATE ENTRANCES AND THE FIELD ENTRANCES. THIS QUANTITY IS INCLUDED IN THE QUANTITY FOR BITUMINOUS CONCRETE SURFACE COURSE, SUPERPAVE, MIX "C", N50.

PRIVATE & FIELD ENTRANCE APPROACH DETAIL



SCHEDULE FOR SUPERELEVATION RATES

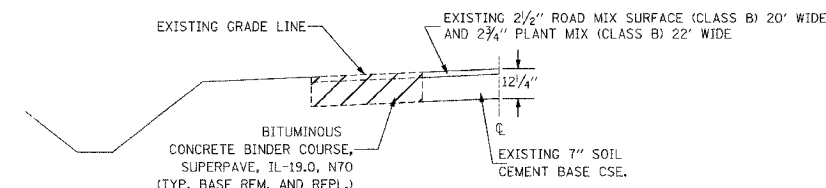
CURVE #1

TANGENT RUNOFF BEGINS STA. 33+55.82
S.E. RUNOFF BEGINS STA. 33+93.29
FULL S.E. BEGINS STA. 35+65.05
FULL S.E. ENDS STA. 47+04.55
S.E. RUNOFF ENDS STA. 48+76.31
TANGENT RUNOFF ENDS STA. 49+13.78
S.E. RATE = 0.0716 FT / FT

CURVE #2

TANGENT RUNOFF BEGINS STA. 62+06.65
S.E. RUNOFF BEGINS STA. 62+44.12
FULL S.E. BEGINS STA. 64+15.88
FULL S.E. ENDS STA. 75+58.38
S.E. RUNOFF ENDS STA. 77+30.14
TANGENT RUNOFF ENDS STA. 77+67.61
S.E. RATE = 0.0716 FT / FT

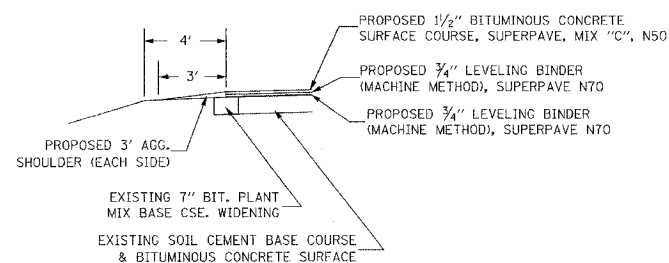
DETAIL OF PAVEMENT REMOVAL AND REPLACEMENT SPECIAL



NOTE: IN THE TYPICAL DETAIL ABOVE THE DISTANCE FROM THE CENTERLINE LEFT OR RIGHT AND THE WIDTH OF PAVEMENT REMOVAL AND REPLACEMENT VARIES. SEE SCHEDULE OF PAVEMENT REMOVAL AND REPLACEMENT SPECIAL FOR PROPOSED LOCATIONS.

AGGREGATE SHOULDER DETAIL

LT. & RT. STA. 250+68 TO STA. 383+08



UTILITIES

MT. CARMEL PUBLIC UTILITY
316 MARKET STREET
MT. CARMEL, IL 62863
618-262-5151

NORRIS ELECTRIC COOP.
RT. 130 SOUTH
NEWTON, IL 62448
618-299-6101

RURAL WABASH WATER DISTRICT
P.O. BOX 55
LANCASTER, IL 62855
618-665-3311

VERIZON TELEPHONE CO.
225 EAST CHESTNUT
ONLEY, IL 62450
618-395-6181

J.U.L.I.E.
800-892-0123

323 W. 3RD ST.
P.O. BOX 160
MT. CARMEL, IL
62863
PHONE:
(618)-262-8651
FAX:
(618)-263-3327

406 W. STATE ST.
SUITE 1
PRINCETON, IN
47670

PHONE:
(812)-386-7611
FAX:
(812)-385-2812



PROFESSIONAL
DESIGN FIRM
LAND SURVEY &
PROFESSIONAL
ENGINEERING
CORPORATION
184-000887
(82-032435)(35-002769)



AARON M. MEFFORD
NAME
SIGNATURE
2-15-06
DATE
11-30-07
EXPIRES