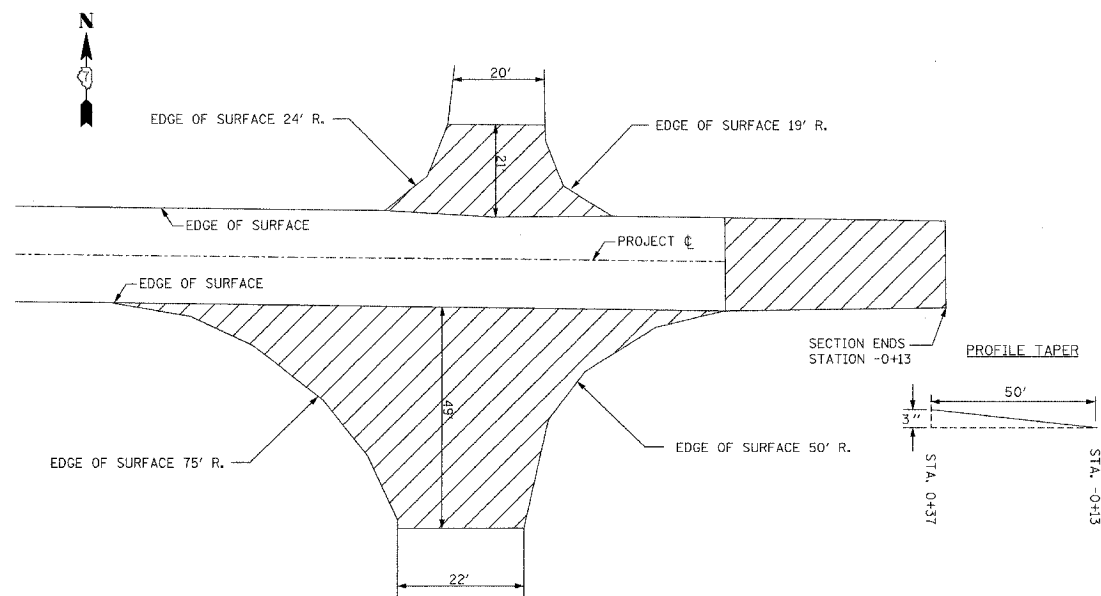


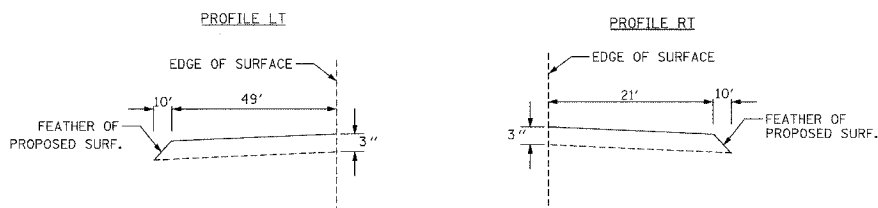
DETAILS OF SURFACING AT INTERSECTIONS AND SIDEROADS

F.A.S.	SECTION	COUNTY	TOTAL SHEETS	SHEET NO.
800	01-00968-00-RS	WABASH	4	3
FED. H&D DIST. NO. 1	ILLINOIS	LANCASTER EAST		
LEC JOB # H041014WB		CONTRACT # 95439		

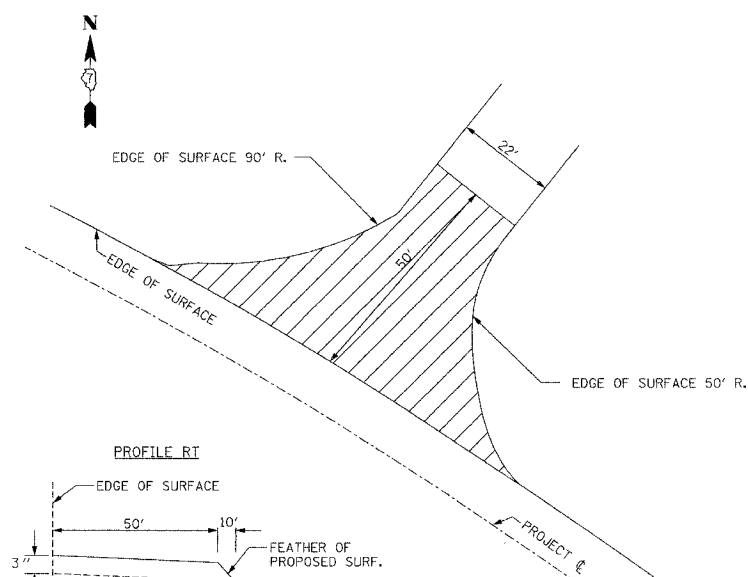
DETAIL OF TAPER STA. -0+13 TO STA. 0+37
DETAIL OF INTERSECTION 0+90 RT AND 0+93 LT



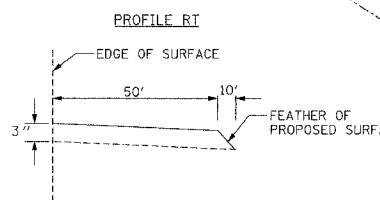
NOTE: THE QUANTITY SHOWN FOR BITUMINOUS CONCRETE SURFACE COURSE, SUPERPAVE, MIX "C", NSO INCLUDES 10.3 TONS OF MATERIAL FOR THE TAPER FROM STATION -0+13 TO STATION 0+37. IT ALSO INCLUDES 53.7 TONS OF MATERIAL FOR THE SIDEROAD LT APPROACH AND RADII AND 12.5 TONS OF MATERIAL FOR THE SIDEROAD RT. APPROACH AND RADII.



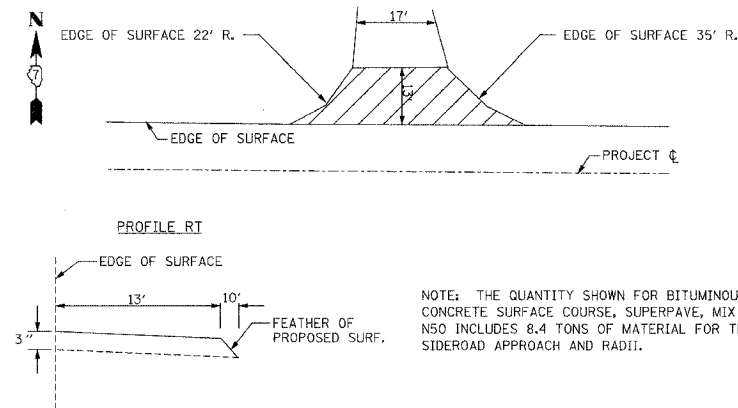
DETAIL OF INTERSECTION RT. STA. 69+93



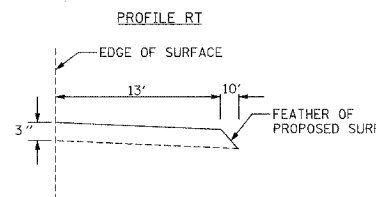
NOTE: THE QUANTITY SHOWN FOR BITUMINOUS CONCRETE SURFACE COURSE, SUPERPAVE, MIX "C", NSO INCLUDES 39.0 TONS OF MATERIAL FOR THE SIDEROAD APPROACH AND RADII.



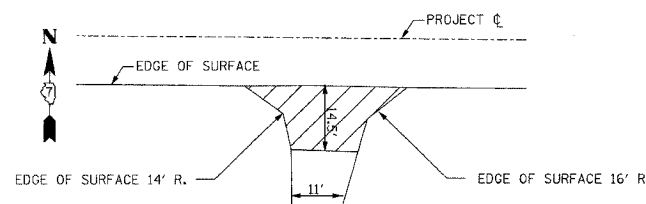
DETAIL OF INTERSECTION RT. STA. 89+00



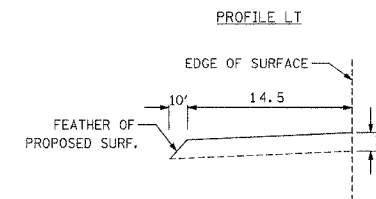
NOTE: THE QUANTITY SHOWN FOR BITUMINOUS CONCRETE SURFACE COURSE, SUPERPAVE, MIX "C", NSO INCLUDES 8.4 TONS OF MATERIAL FOR THE SIDEROAD APPROACH AND RADII.



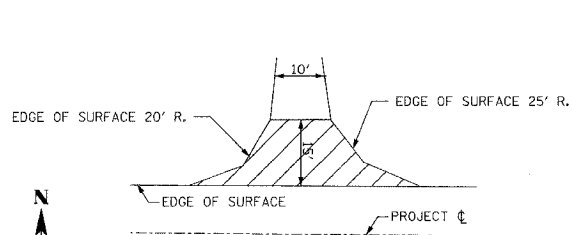
DETAIL OF INTERSECTION LT. STA. 95+85



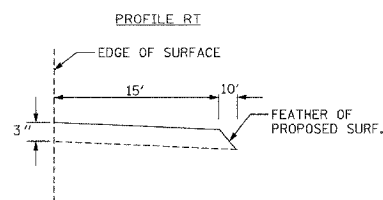
NOTE: THE QUANTITY SHOWN FOR BITUMINOUS CONCRETE SURFACE COURSE, SUPERPAVE, MIX "C", NSO INCLUDES 6.1 TONS OF MATERIAL FOR THE SIDEROAD APPROACH AND RADII.



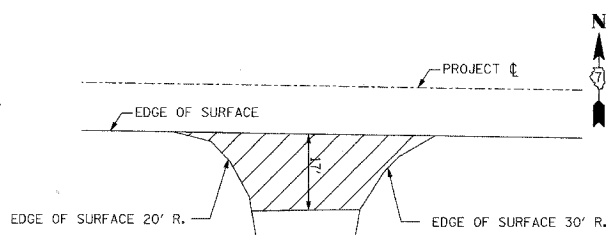
DETAIL OF INTERSECTION RT. STA. 116+00



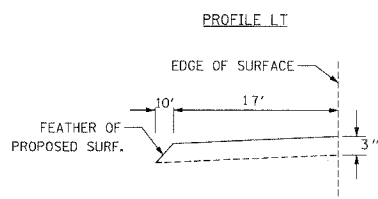
NOTE: THE QUANTITY SHOWN FOR BITUMINOUS CONCRETE SURFACE COURSE, SUPERPAVE, MIX "C", NSO INCLUDES 7.6 TONS OF MATERIAL FOR THE SIDEROAD APPROACH AND RADII.



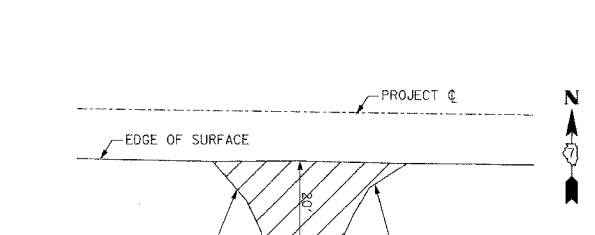
DETAIL OF INTERSECTION LT. STA. 148+70



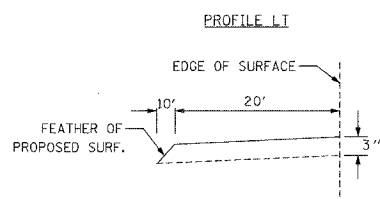
NOTE: THE QUANTITY SHOWN FOR BITUMINOUS CONCRETE SURFACE COURSE, SUPERPAVE, MIX "C", NSO INCLUDES 11.5 TONS OF MATERIAL FOR THE SIDEROAD APPROACH AND RADII.



DETAIL OF INTERSECTION LT. STA. 152+60

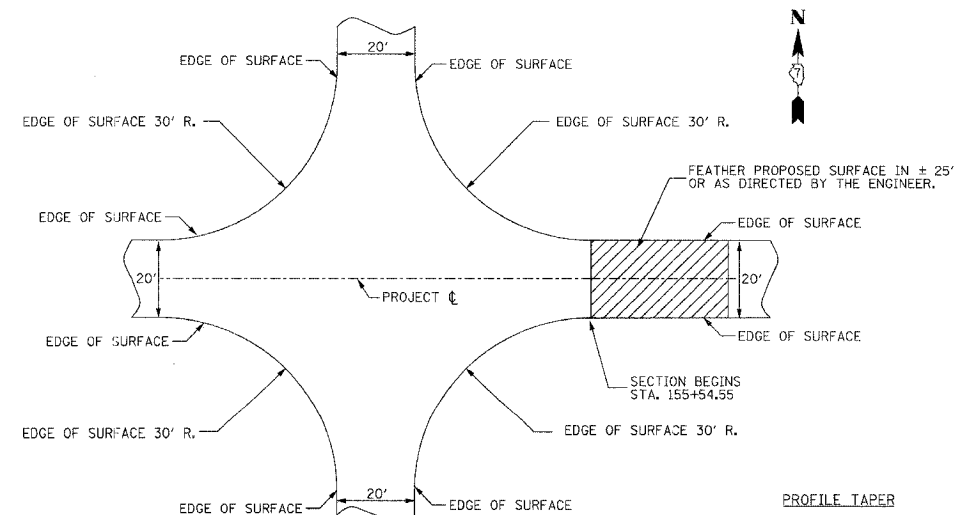


NOTE: THE QUANTITY SHOWN FOR BITUMINOUS CONCRETE SURFACE COURSE, SUPERPAVE, MIX "C", NSO INCLUDES 9.7 TONS OF MATERIAL FOR THE SIDEROAD APPROACH AND RADII.

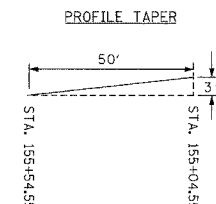


DETAIL OF INTERSECTION

STATION 155+55



NOTE: THE QUANTITY SHOWN FOR BITUMINOUS CONCRETE SURFACE COURSE, SUPERPAVE, MIX "C", NSO INCLUDES 10.1 TONS OF MATERIAL FOR THE TAPER FROM STATION 155+54.55 TO STATION 155+04.55.

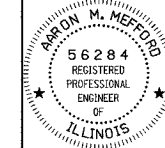


323 W. 3RD ST.
P.O. BOX 160
MT. CARMEL, IL
62863
PHONE:
(618)-262-8651
FAX:
(618)-263-3327

405 W. STATE ST.
SUITE 1
PRINCETON, IN
47670
PHONE:
(812)-386-7611
FAX:
(812)-385-2812



PROFESSIONAL
DESIGN FIRM
LAND SURVEY &
PROFESSIONAL
ENGINEERING
CORPORATION
184-00087
(62-032439)(35-002769)



AARON M. MEFFORD
NAME
Aaron Mefford
SIGNATURE
1-20-06
DATE
11-30-07
EXPIRES