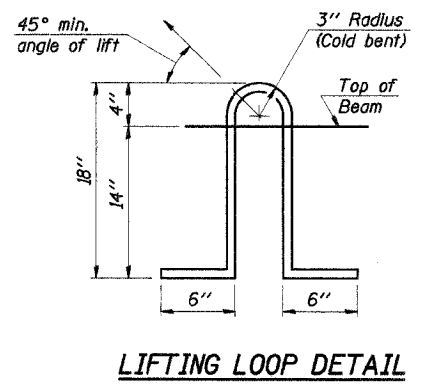
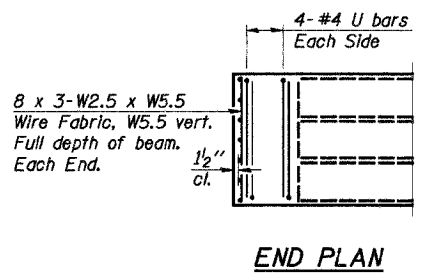
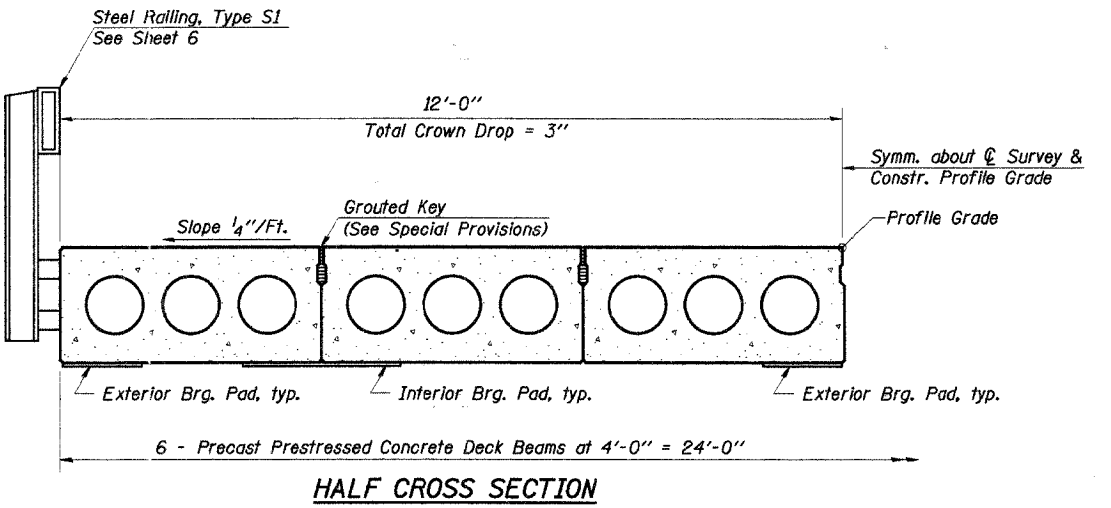
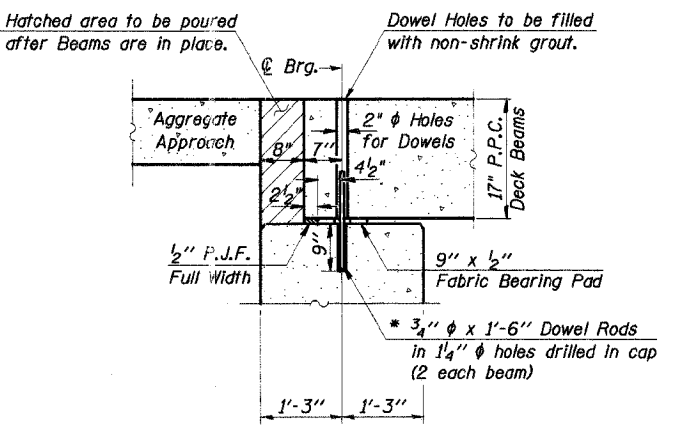
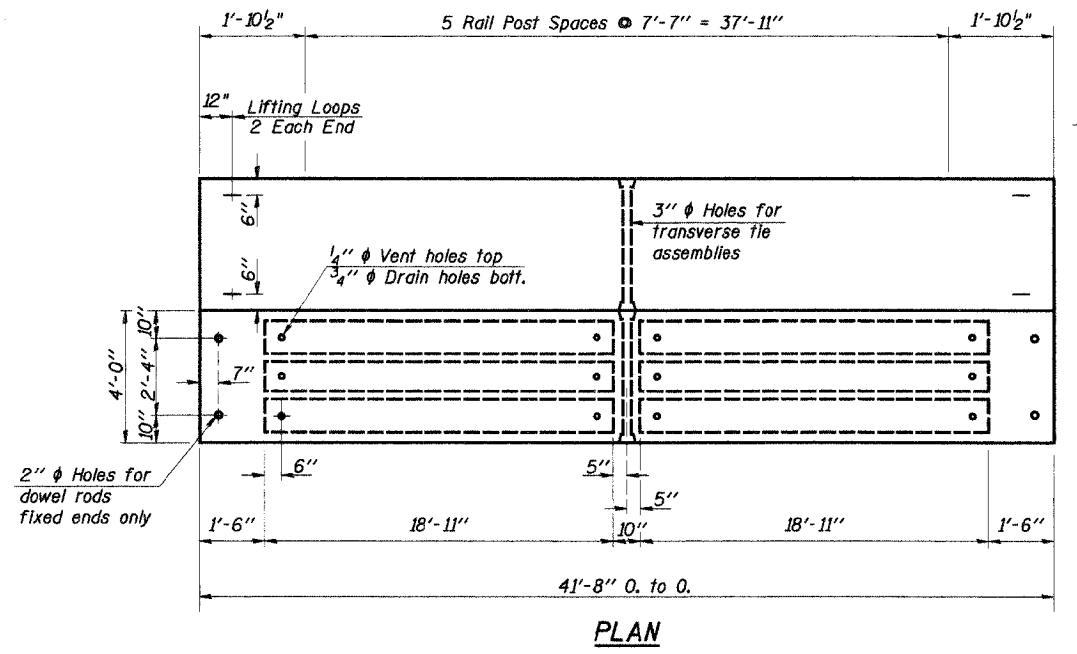
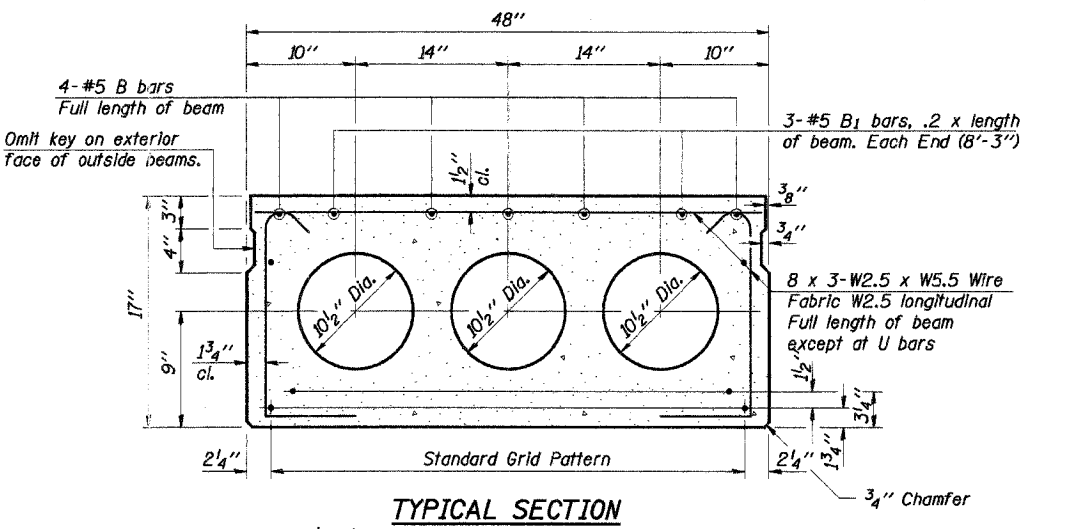
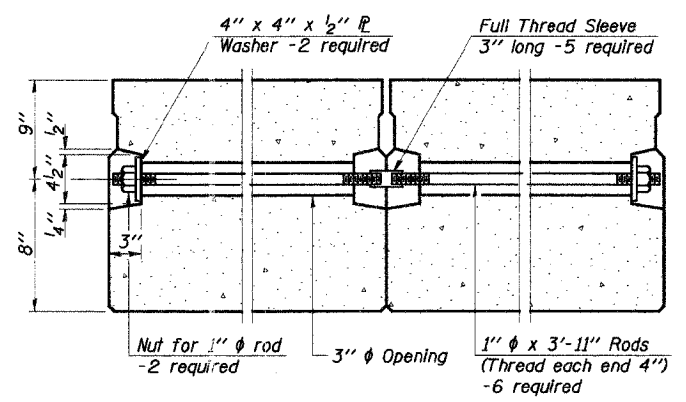
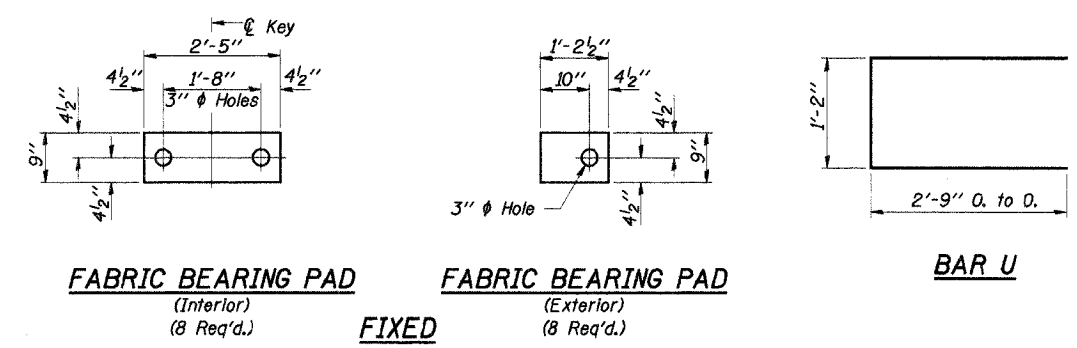


ROUTE NO.	SECTION	COUNTY	TOTAL SHEETS	SHEET NO.
T.R. 331A	99-04127-00-BR	CLAY	11	5
ROAD DIST.	ILLINOIS	HARTER		

CONTRACT NO. 95454



* Dowel Rods to be grouted after beams are in place and allowed to cure (Min. 24 hrs.) prior to grouting the shear keys.

NOTES

Prestressing steel shall be uncoated high strength, low relaxation 7-wire strand, Grade 270. The nominal diameter shall be 1/2" and the nominal cross-sectional area shall be 0.153 sq. in. Lifting loops shall be 2-1/2" #270 ksi strands, as shown.

The 1" rods in the transverse tie assembly shall be tightened to a snug fit and the threads set. Pockets that receive transverse tie bar on outside shall be filled with grout after transverse tie assembly is in place.

Non prestressing steel shall conform to AASHTO M-31 or M-322, Grade 60.

The bearing seat surfaces shall be adjusted by shimming to assure firm and even bearing. Two 1/8" fabric adjusting shims of the dimensions of the Exterior Bearing Pad shall be provided for each bearing. (32 Req'd.)

Keyway surfaces shall be cleaned to remove form oil or other bond breaking material prior to shipment of the beams. Cleaning shall be done by sandblasting the keyway areas between top of the beam and the bottom edge of the key.

Required Release Strength, f'ci, shall be 4,000 p.s.i.

See Special Provisions for review and distribution of shop drawings.

Rail post anchor devices shall be cast into outside beam as elsewhere specified.

BILL OF MATERIAL

Item	Unit	Quantity
Precast Prestressed Concrete Deck Beams (17" Depth)	Sq. Ft.	1,000

Estimated Total Weight (One Beam) = 26,000 Pounds

DESIGNED	F.J.S.
CHECKED	S.F.M.
DRAWN	S.A.P.
CHECKED	S.F.M.

PD-4-S 9-1-03

SUPERSTRUCTURE
SECTION 99-04127-00-BR
HARTER ROAD DISTRICT
CLAY COUNTY
STATION 50+00

4440 ASH GROVE
SPRINGFIELD, IL 62711
(217) 793-8600
oasinc@insightbb.com

OZYURT AND STONE, INC.
CONSULTING ENGINEERS

JOB NO.: 0502
FILE: 0502SUPER.DGN
DATE: 03/20/06