

T.R.	SECTION	COUNTY	TOTAL SHEETS	SHEET NO.
56	03-06114-00-BR	EDWARDS	13	5
FED. ROAD DIST. NO. 7 ILLINOIS		FED. AID PROJECT		323 W. 3RD. ST. P.O. BOX 160 MT. CARMEL, IL 62863
PROJECT# BROS-047(25)		CONTRACT# 95459		PHONE: (618)-262-8651
JOB NO. C-97-048-06		BUTTER CREEK TRIBUTARY		FAX: (618)-263-3327
LEC JOB # H010100D				

405 W. STATE ST
SUITE 1
PRINCETON, IN
47670
PHONE:
(812)-386-7611
FAX:
(812)-385-2812



PROFESSIONAL DESIGN FIRM
LAND SURVEY & PROFESSIONAL ENGINEERING CORPORATION
184-000887
(62-032435)(35-002769)



AARON M. MEFFORD
NAME
SIGNATURE
DATE
11-30-07
EXPIRES

TOWNSHIP ROUTE 56
BUTTER CREEK TRIBUTARY
EDWARDS COUNTY, ILLINOIS

SHEET TITLE:

GENERAL PLAN AND ELEVATION

SCALE: NONE

BY: AMM

DATE: 1986

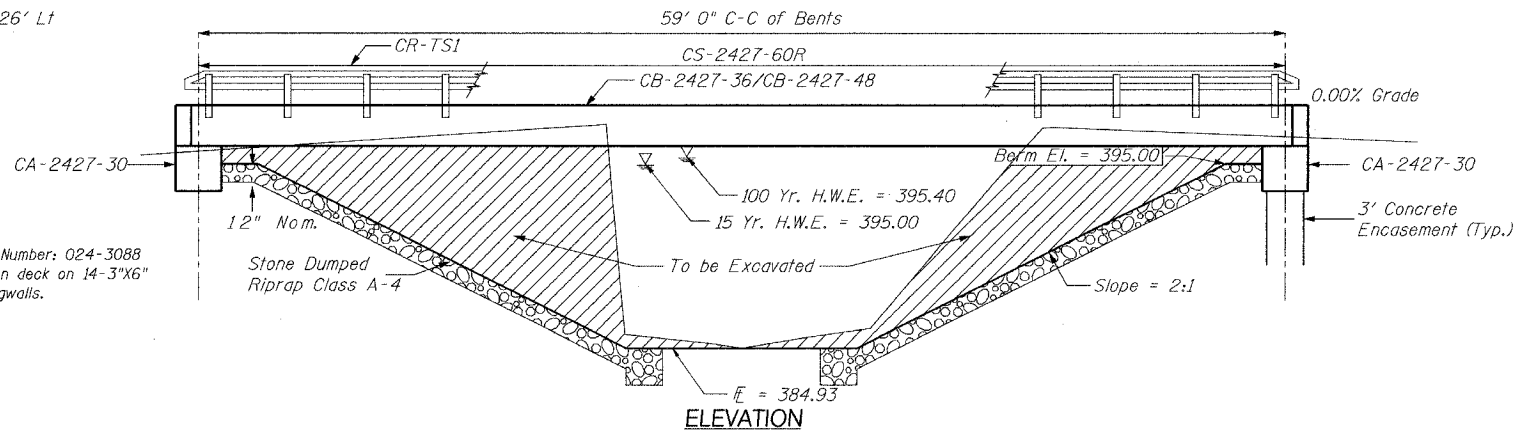
REV:

5 OF 13 SHEETS

SHEET NO.

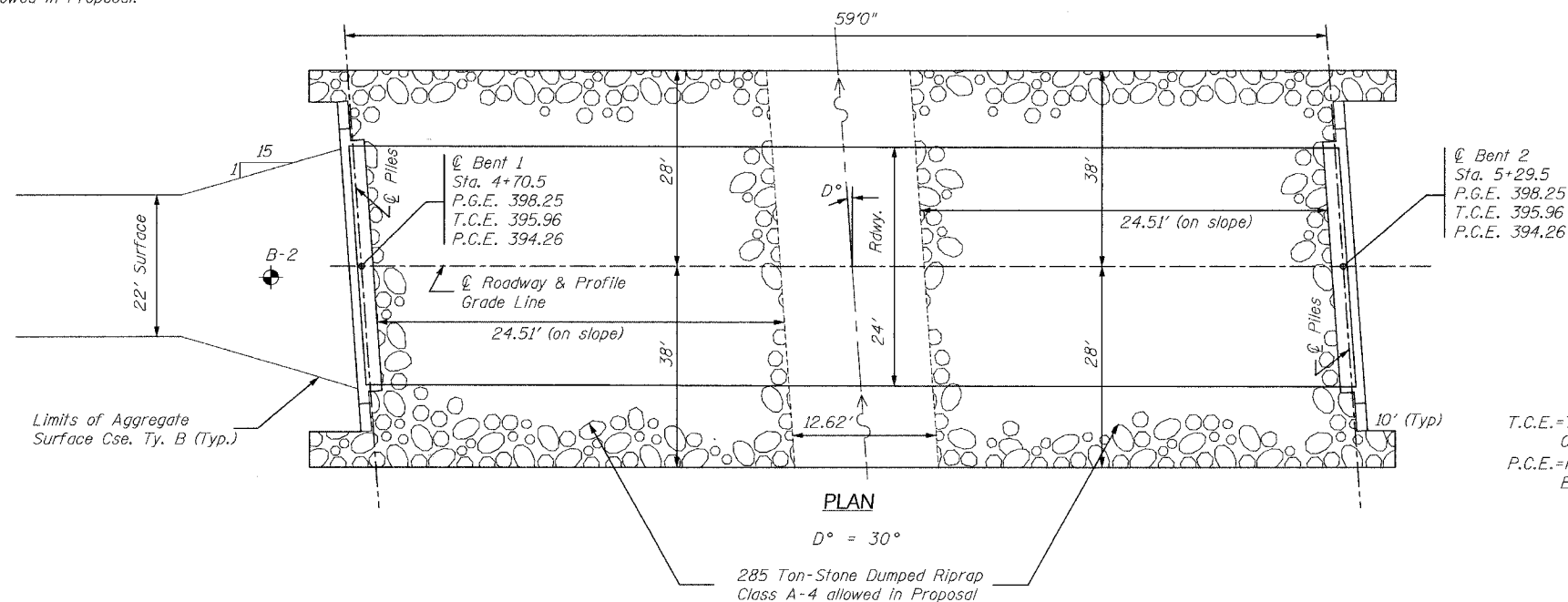
5

B.M. Iron Pin ± Sta. 0+01.35, 7.26' Lt
Elevation = 392.09



Existing Bridge Sta 5+04.48; Structure Number: 024-3088
A 23' long bridge with a 3" thick wooden deck on 14-3"x16" I beams and wooden abutments with wingwalls.

One (1) each removal of existing structures allowed in Proposal.



NOTE: All items deemed fit for use on other Rd. District projects shall become the property of the said Rd. District. These items shall be stored along the R.O.W. at no additional cost to the project.

NOTE: The Article or Section Numbers Referencing the Standard Specifications for Road and Bridge Construction as shown on the Standard Bridge Plan Sheets included with the contract plans should be interpreted as referring to the current edition of the Standard Specification (Adopted January 1, 2002) as shown in the "Article/Section No. Reference Table."

ARTICLE/SECTION NO. REFERENCE TABLE

Previous No.	Current No.
504.06	504.06
505.04	505.04
706.05	1006.05
706.32	1006.32
760.07	1060.07
STD 2340	STD 631026

DESIGN SPECIFICATIONS

1996 AASHTO
HS 20-44 Loading, Load Factor Design

Construction Permits - The requirements of the Division of Water Resources have been fulfilled in accordance with Nationwide Permit No. 14.

PILE DATA (2-ABUTS.)

Type: Steel Piles HP10X42
Capacity: Drive to Refusal
Estimated Length: 30 Feet
Number Required: 8 (Includes 1 Test Pile in Bent #2)

STATION 5+00
BUTTER CREEK TRIBUTARY
SEC. 03-06114-00-BR BUILT 20
EDWARDS COUNTY
LOADING HS20-44
STR. NO. 024-3132
PROJ. NO. BROS-047(25)

LETTERING FOR NAME PLATE

Locate Name Plate at the Southeast Corner of the Bridge (See Sd. CN)

WATERWAY INFORMATION

Drainage Area = 4.1 Sq. Mi. Low Grade Elev. = 392.56 At Sta. 0+84

Flood	Freq. Yr.	Q C.F.S.	Opening Sq.Ft.		Natural H.W.E.	Head-Ft.		Headwater El.	
			Exist.	Prop.		Exist.	Prop.	Exist.	Prop.
Design	15	1090	157*	286**	395.00	0.04	0.01	395.04	395.01
Base	100	1755	165**	305***	395.40	1.17	0.37	396.57	395.77
Overlapping									
Max. Calc.	500	2305							

* Area Over Road = 752 Sq Ft
** Area Over Road = 942 Sq Ft
*** Area Over Road = 551 Sq Ft
**** Area Over Road = 676 Sq Ft

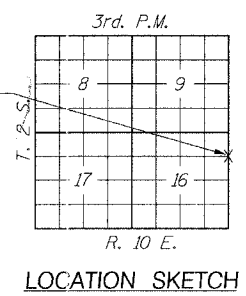
Item	Unit	Super	Sub.		Total
			Piers	Abuts.	
Removal of Existing Structures	L Sum				1
Hit Conc. Surf. Cse. Class 1	Loas				
Waterproofing Membrane System	Sq.Yds.				
Concrete Structures	Cu.Yds.			21.4	21.4
P.P. Conc. Dk. Bm. 27" Dp.	Sq.Ft.	1440			1440
Steel Railing, Type S1	L.in.Ft.	120			120
Reinforcement Bars	Lbs.			2620	2620
Furnishing Steel Piles HP10X42	L.in.Ft.			210	210
Driving Steel Piles	L.in.Ft.			210	210
Test Pile Steel HP10X42	Each			1	1
Name Plates	Each			1	1
Concrete Encasement	Cu.Yds.			2.1	2.1

NOTE: Four (4) Each Curled End Sections required. Item to be incidental to the Steel Railing



B-1
119.5' N of center ex. bridge

T.C.E. = Top of Cap Elev.
P.C.E. = Pile Cut-Off Elev.



INDEX OF SHEETS

1. General Plan & Elevation
2. Standard CS-2427-60R
3. Standard CB-2427-36
4. Standard CB-2427-48
5. Standard CA-2427-30
6. Standard CR-TS1
7. Standard CN
8. Standard CX-1

GENERAL PLAN & ELEVATION

TOWNSHIP ROUTE 56
OVER BUTTER CREEK TRIBUTARY

SECTION 03-06114-00-BR
EDWARDS COUNTY

STATION 5+00