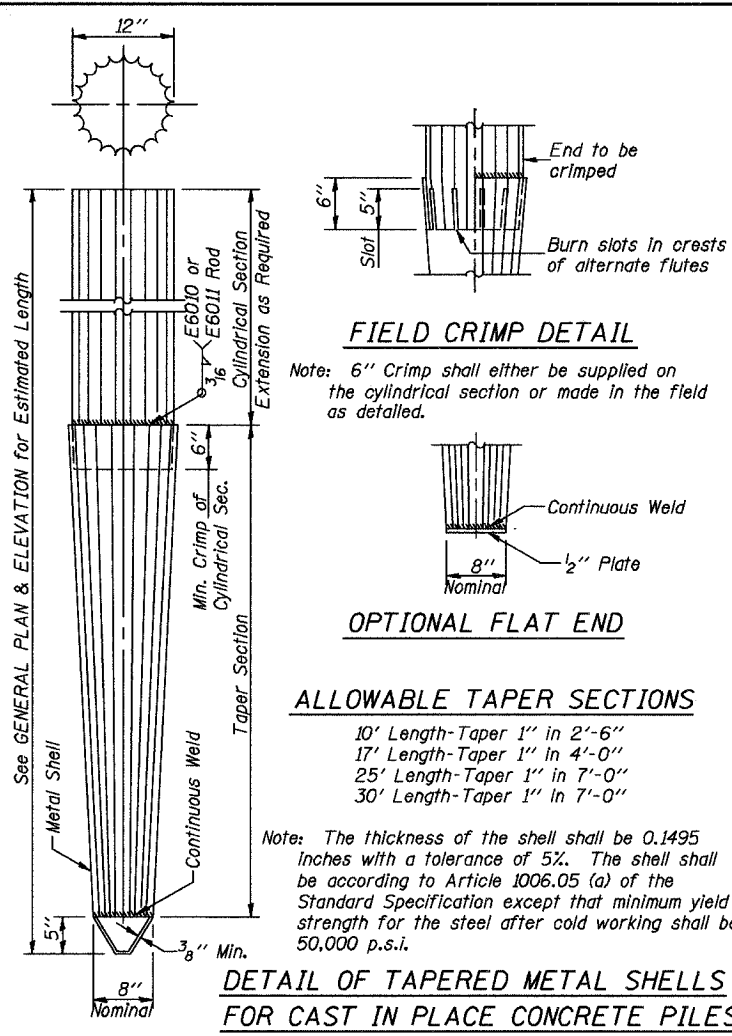


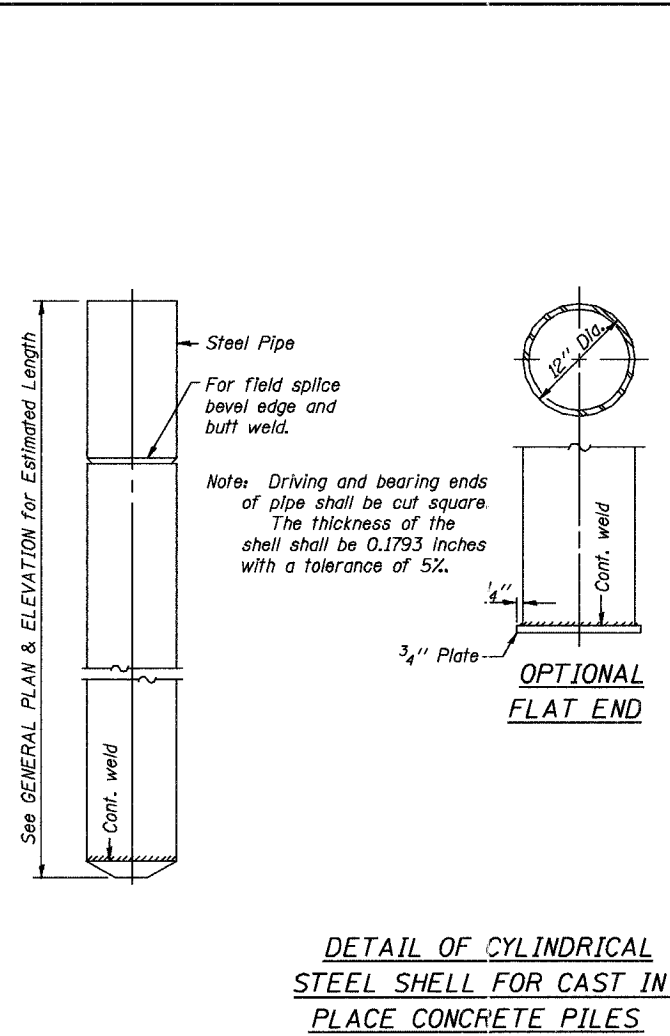
Handling: For Pile lengths up to 45' use two slings placed at a distance of 0.21L from each end. For Piles longer than 45', use three slings placed at a distance of 0.12L from each end and at mid point of pile.

DETAIL OF PRECAST CONCRETE PILES

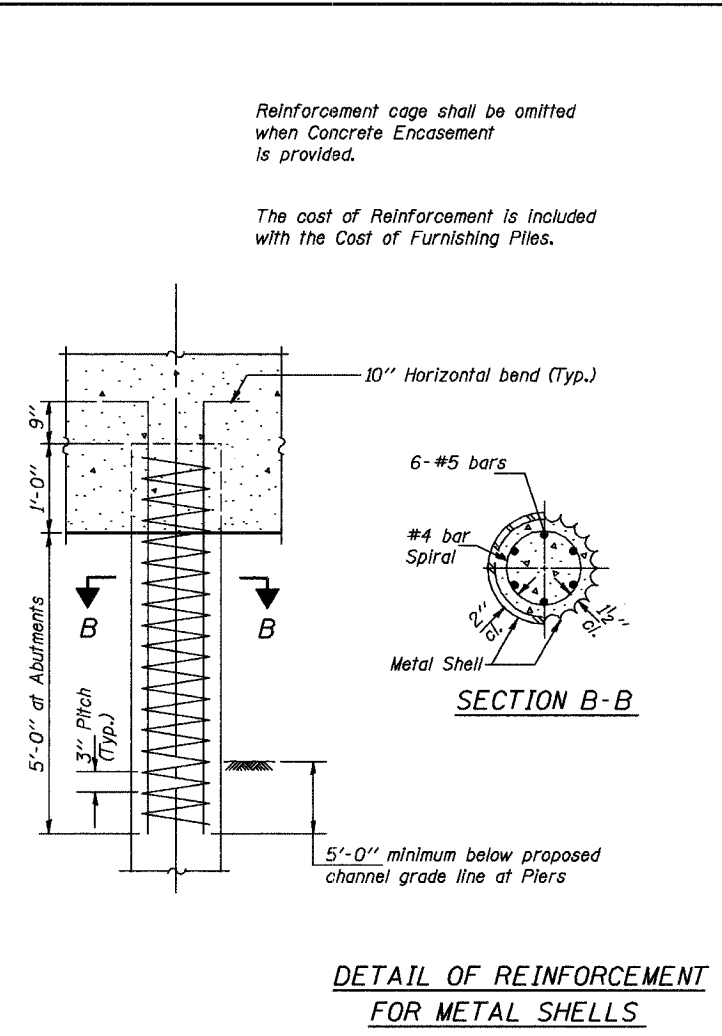


Note: The thickness of the shell shall be 0.1495 inches with a tolerance of 5%. The shell shall be according to Article 1006.05 (a) of the Standard Specification except that minimum yield strength for the steel after cold working shall be 50,000 p.s.i.

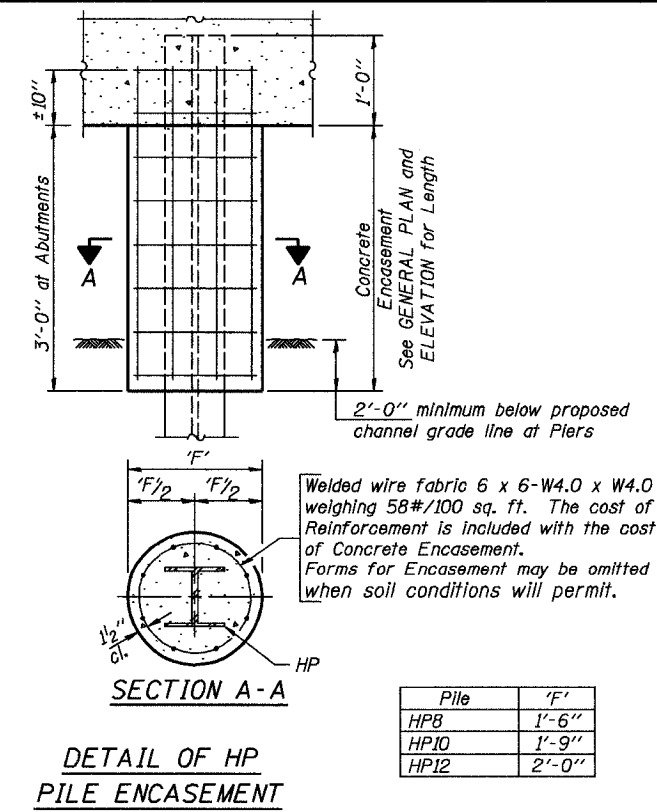
DETAIL OF TAPERED METAL SHELLS FOR CAST IN PLACE CONCRETE PILES



DETAIL OF CYLINDRICAL STEEL SHELL FOR CAST IN PLACE CONCRETE PILES

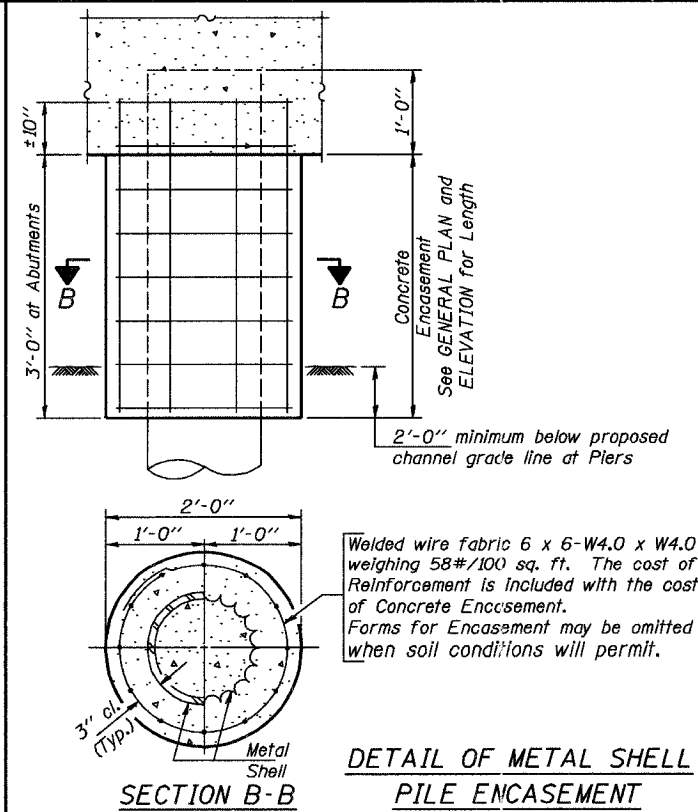


DETAIL OF REINFORCEMENT FOR METAL SHELLS



DETAIL OF HP PILE ENCASEMENT

Pile	'F'
HP8	1'-6"
HP10	1'-9"
HP12	2'-0"



DETAIL OF METAL SHELL PILE ENCASEMENT

QUANTITIES/FT. OF ENCASEMENT (STEEL PILES)

Pile Size	Item	Quantity
HP8	Concrete Encasement	0.063 C.Y.
HP10	Concrete Encasement	0.086 C.Y.
HP12	Concrete Encasement	0.112 C.Y.

(METAL SHELL PILES)

Pile Size	Item	Quantity
12" Dia.	Concrete Encasement	0.087 C.Y.

CONTRACT NO. 95459

PILE DETAILS

STANDARD CX-1

Illinois Department of Transportation
 PASSED FEBRUARY 1, 2000
 Approved by: *Thomas J. Demagala*
 Engineer of Bridge Design
 APPROVED FEBRUARY 1, 2000
 Approved by: *Ralph E. Anderson*
 Engineer of Bridges and Structures