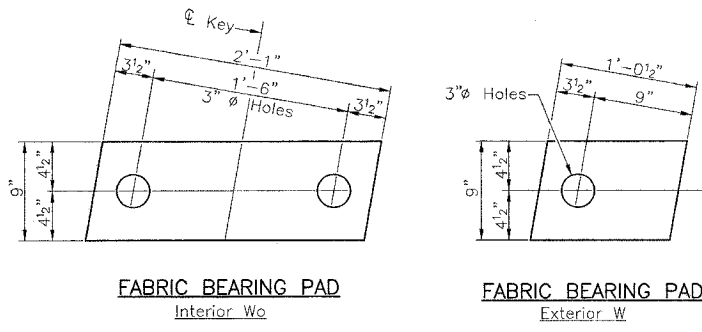
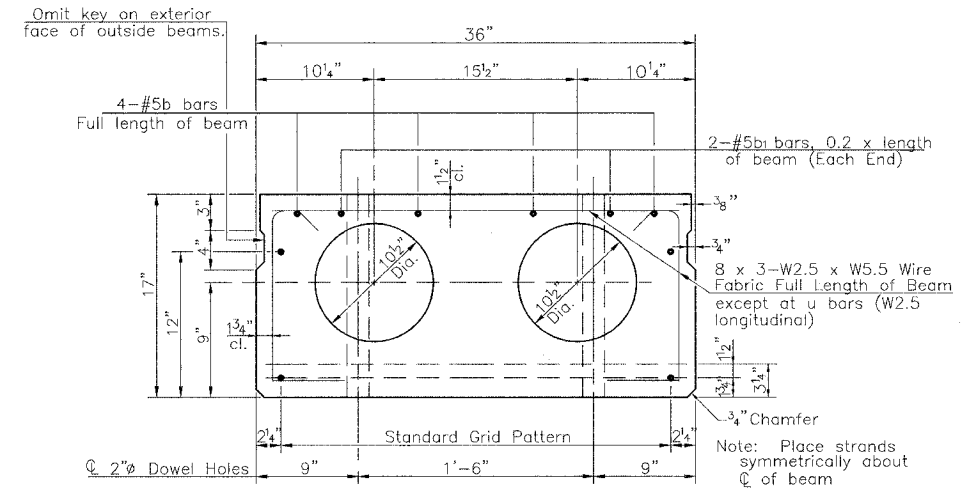
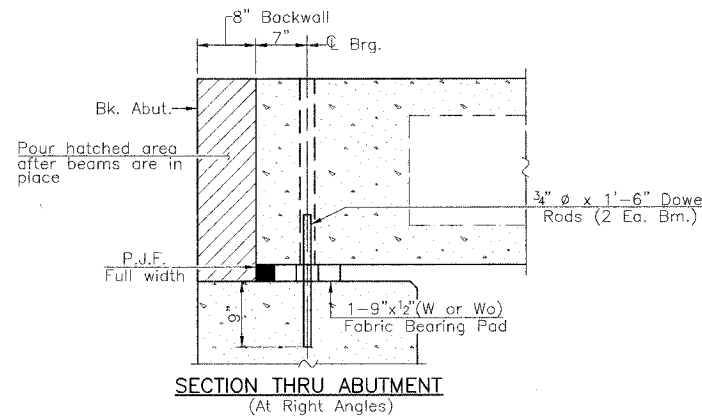


RTE.	SECTION	COUNTY	TOTAL SHEETS	SHEET NO.
T.R. 140	*	SHELBY	11	5
PROJECT BROS-173(134)				
* 00-09118-00-BR				

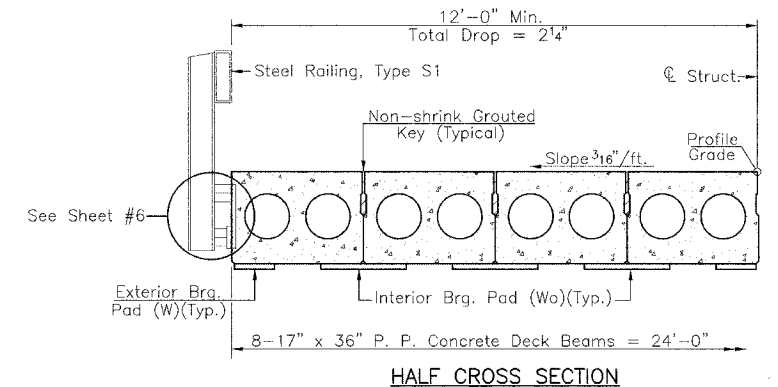
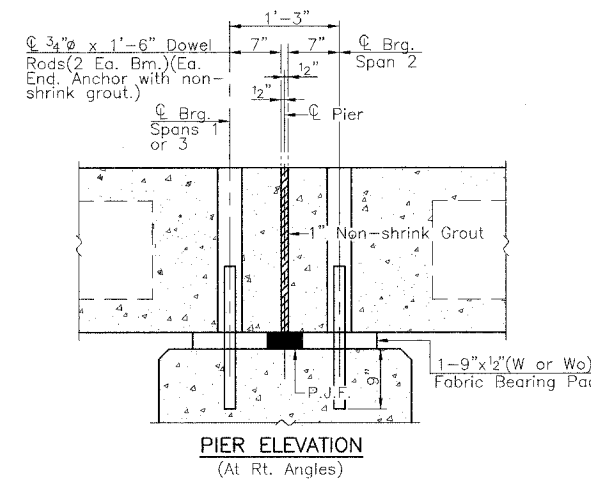
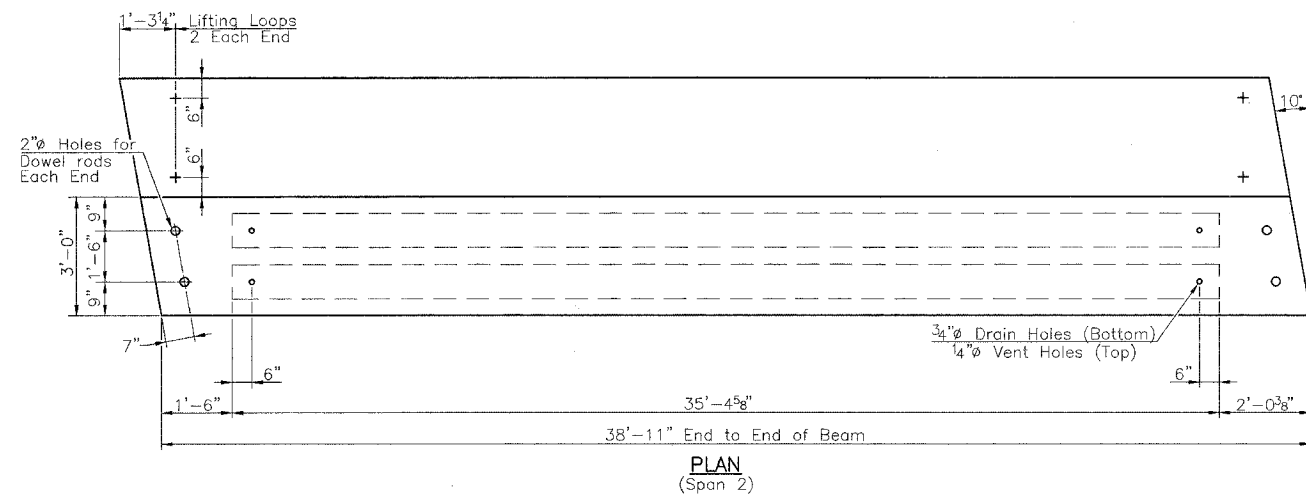
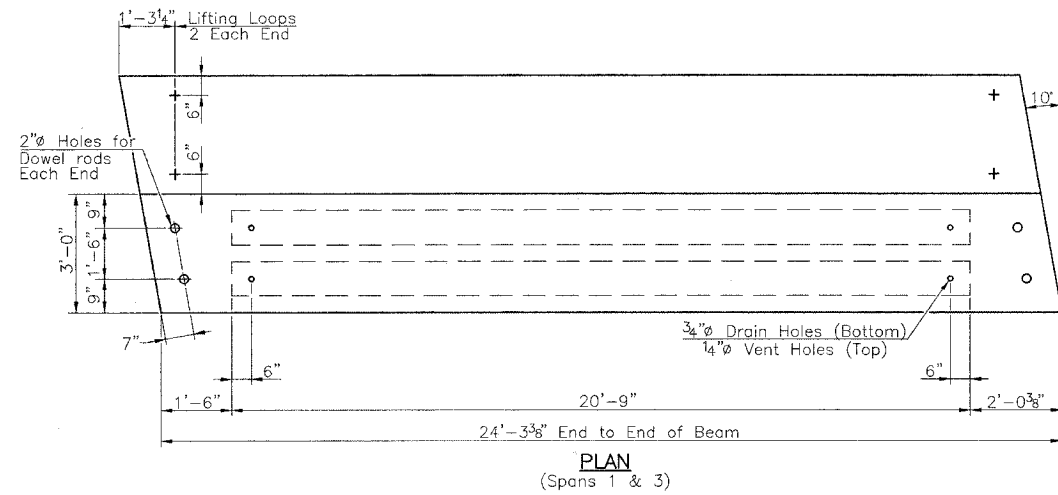


FIXED BEARINGS



(Spans 1 & 3) 5 - 1/2" Strands, Each Strand Stressed to 28900 Lbs.
5 Strands - 1 3/4" up

(Span 2) 14 - 1/2" Strands, Each Strand Stressed to 28900 Lbs.
10 Strands - 1 3/4" up, 2 Strands 3/4" up, 2 Strands 12" up



BILL OF MATERIAL

BAR	NO.	SIZE	LENGTH	SHAPE
Precast Prestressed Concrete Deck Beams (17")		Sq. Ft.	2100	

NOTES

- Prestressing steel shall be uncoated high strength, low relaxation 7-wire strand, Grade 270.
- The nominal diameter shall be 1/2" and the nominal cross-sectional area shall be 0.153 sq. in.
- Lifting loops shall be 2 - 1/2" diameter-270 ksi strands as shown.
- Non-pretressing steel shall conform to A.A.S.H.T.O. M-31, M-42 or M-53, Grade 60.
- The bearing seat surfaces shall be adjusted by shimming to assure firm and even bearing. Two 1/8" fabric adjusting shims of the dimensions of the Exterior Bearing Pad shall be provided for each bearing.
- Keyway surfaces shall be cleaned to remove form oil or other bond breaking material prior to shipment of the beams. Cleaning shall be done by sandblasting the keyway areas between top of the beams and the bottom edge of the key.
- Required Release Strength, f'ci, shall be 4000 p.s.i.
- A Corrosion Inhibitor as covered in the Special Provisions, shall be used in the concrete for Precast Prestressed Concrete Deck Beams.
- Rail Post Anchor Devices shall be cast into the exterior face of outside beams as specified on Sheet No. 6.

