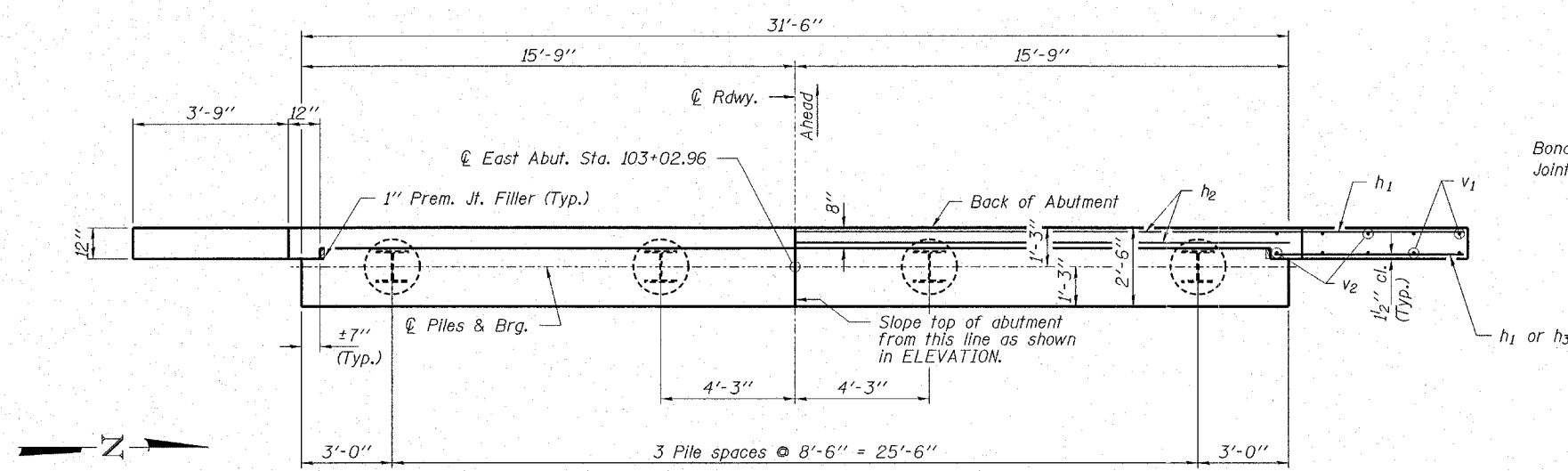
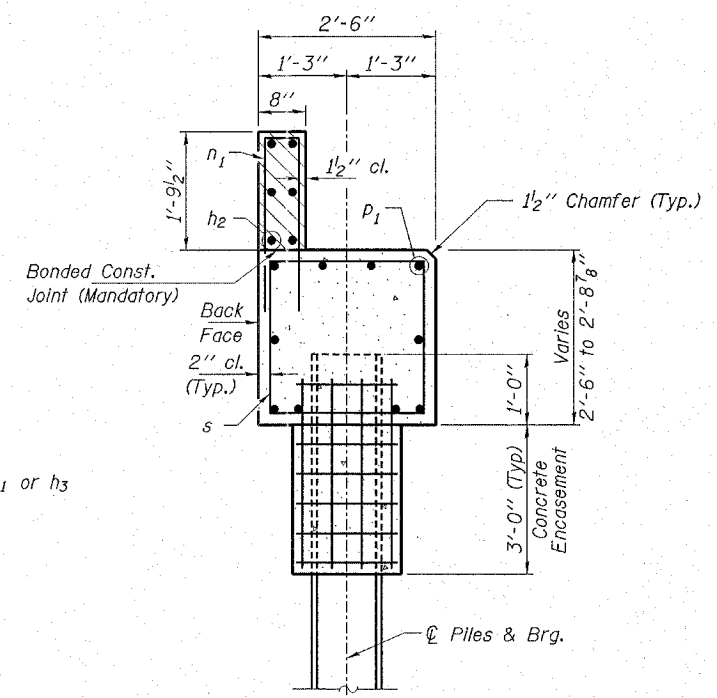


CONTRACT NO. 95469

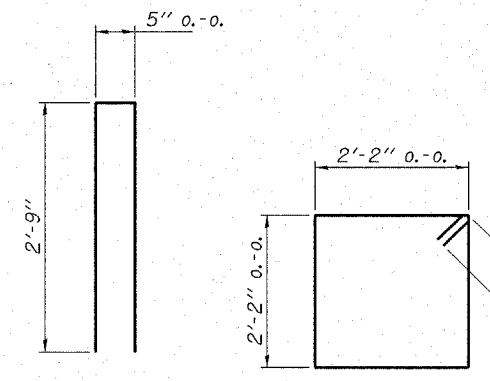


PLAN



SECTION C-C

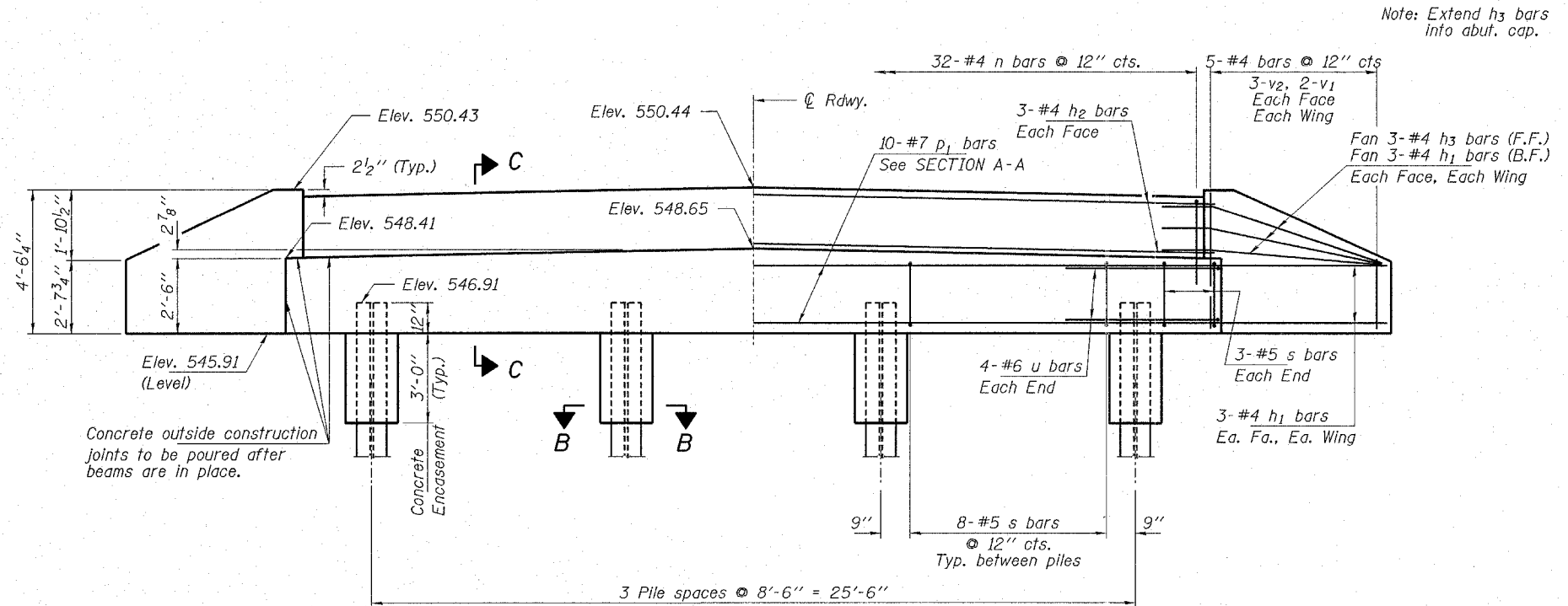
Hatched area to be poured after beams are in place.



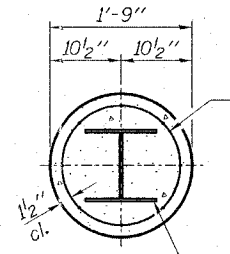
BAR n

BAR s

BAR u



ELEVATION
(Looking East)



SECTION B-B

Welded Wire Fabric
6 x 6-W4.0 x W4.0
weighing 58#/100 sq. ft.
The cost of Excavation and
Reinforcement is incidental
to the cost of Concrete
Encasement. Forms for
Encasement may be omitted
when soil conditions will permit.

Steel Pile HP10x42

BILL OF MATERIAL - E. ABUT.

BAR	NO.	SIZE	LENGTH	SHAPE
h1	18	#4	5'-6"	—
h2	6	#4	31'-6"	—
h3	6	#4	4'-6"	—
n1	32	#4	5'-11"	□
p1	10	#7	31'-2"	—
s	30	#5	9'-7"	□
u	8	#6	12'-1"	—
v1	8	#4	2'-6"	—
v2	12	#4	3'-6"	—
Concrete Structures		Cu. Yd.	10.2	
Reinf. Bars, Epoxy Coated		Pound	1,460	
Steel Piles HP10x42		Foot	63	
Driving Steel Piles		Foot	63	
Test Pile Steel HP10x42		Each	1	
Concrete Encasement		Cu. Yd.	1.0	

All bars shall be Epoxy Coated.

PILE DATA

Type _____ Steel HP 10x42
No. Req'd. _____ 4
Capacity _____ Drive to Refusal
Est. Length _____ 21 Feet/Pile

* Includes one test pile to be driven in a permanent location at the East Abutment.

HLR
Rice, Berry and Associates
A Division of Hampton,
Lenzini and Renwick, Inc.
Civil & Structural Engineers
3085 Stavenson Drive
Suite 201
Springfield, Illinois 62703
217-546-3400
Account Number 12-34-0002-1
Date: 03/17/06
DESIGNED: S.M.S. CHECKED: S.W.M. DRAWN: D.T.M.

EAST ABUTMENT
SECTION 02-00104-00-BR
F.A.S. 712 / C.H. 24
FAYETTE COUNTY
STR. NO. 026-3431 / STATION 102+50