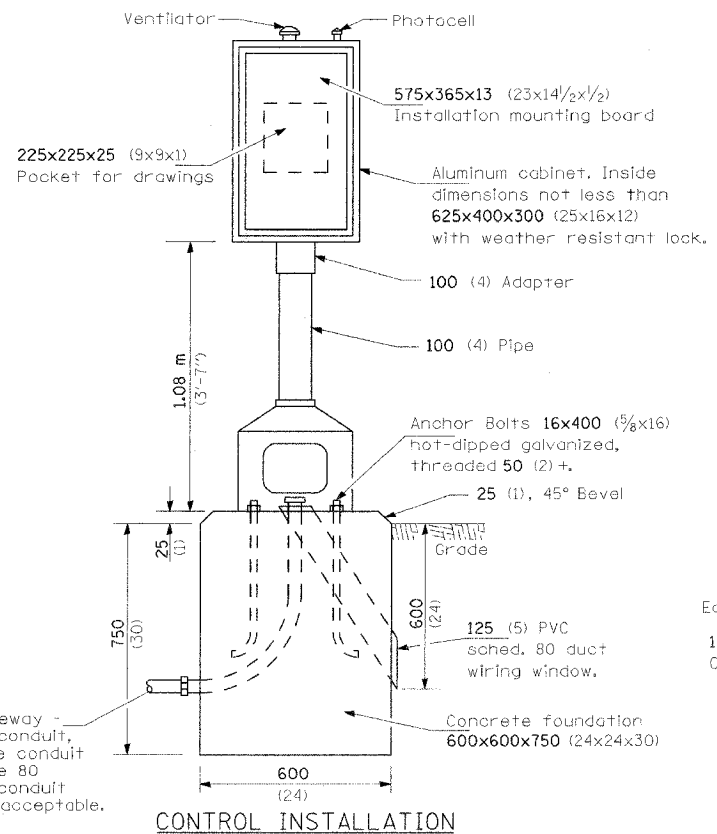
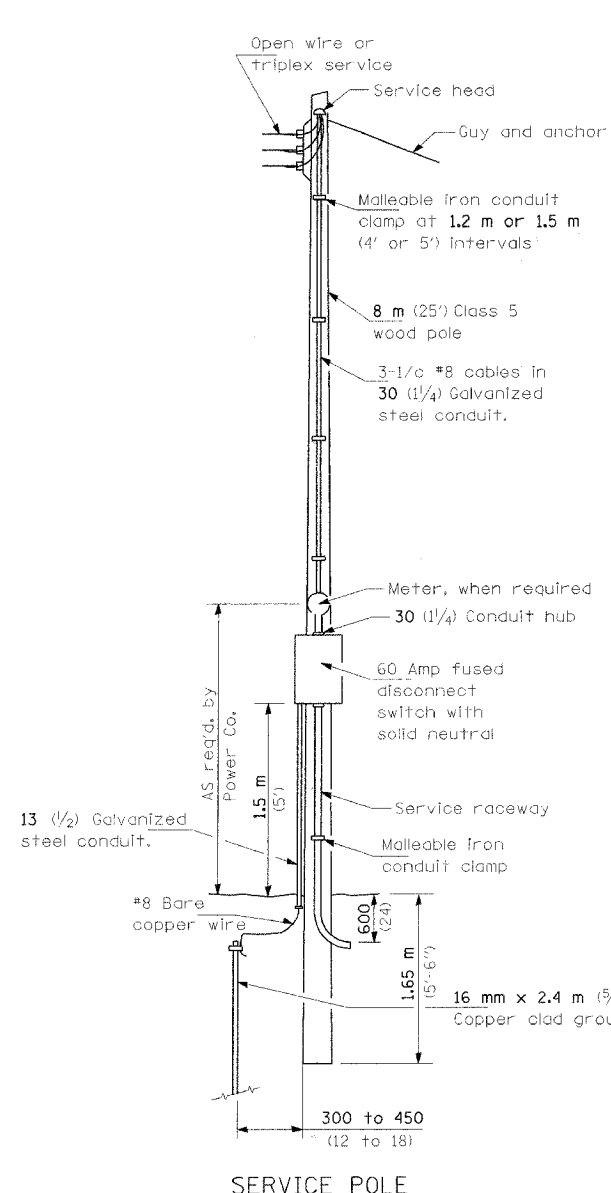


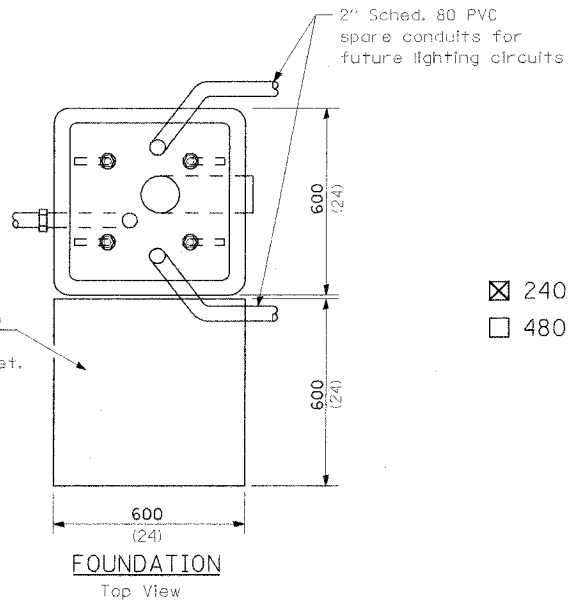
F.A.U. RTE.	SECTION	COUNTY	TOTAL SHEETS	SHEET NO.
8361	05-00083-08-5F	EFFINGHAM	40	39
STA.		TO STA.		
FED. ROAD DIST. NO. 1		ILLINOIS FED. AID PROJECT		

© Copyright Hanson Professional Services Inc. 2006
HANSON
 Hanson Professional Services Inc.
 1525 South Sixth Street
 Springfield, Illinois 62761
 Spring Offices Nationwide

PLOT DATE = 03/24/05 03:31 PM
 FILE NAME = s:\06\jobs\06a2023\cadd\elec\sheet\CB-RCS-60.dgn
 PLOT SCALE = 30:1
 USER NAME = BJR
 LAYOUT: MR 03/24/05
 DRAWN: JAP 03/24/05
 REVIEWED: JTB 03/24/05



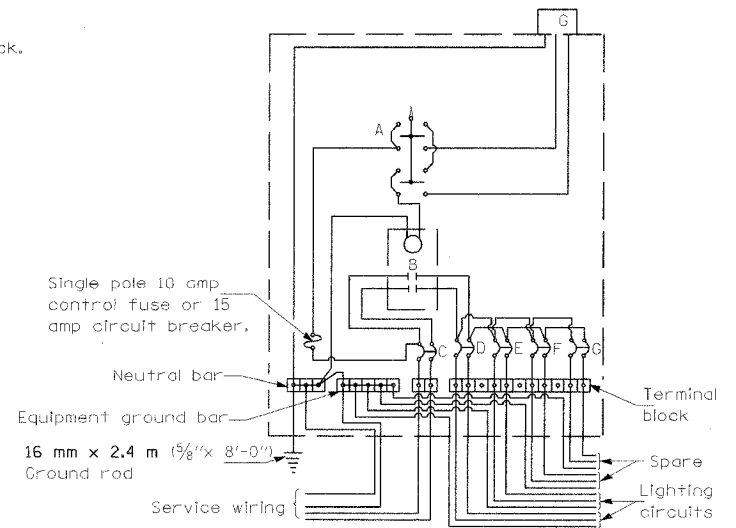
CONTROL INSTALLATION
Front View



FOUNDATION
Top View

- ☒ 240 V. SERVICE
- ☐ 480 V. SERVICE

- A Selector switch
- B 2 Pole 60 amp contactor
- C 2 Pole 60 amp service disconnect
- D,E,F,G 2 Pole 30 amp breakers
- H Photocell w/integral surge arrester



WIRING DIAGRAM

GENERAL NOTES

Locate service pole and control installation adjacent to R.O.W. line with a minimum distance of 9 m (30') from the edge of pavement. Exact location shall be established by the Engineer.

The underground service entrance wiring shall not exceed 46 m (150'). Total aerial and underground service between the control installation and primary transformer shall not exceed 76 m (250').

For 480 V. systems, a 480/120 V. control transformer will be required.

Where soil conditions permit, and where approved by the Engineer, a 150 mm dia. x 1.5 m (6" dia. x 5'-0") long metal screw in foundation may be used in lieu of a concrete foundation.

All dimensions are in millimeters unless otherwise shown.

REVISIONS	
NAME	DATE

ILLINOIS DEPARTMENT OF TRANSPORTATION

**CONTROL INSTALLATION
TYPE CB-RCS-60**

SCALE: VERT. DRAWN BY ANC
 HORIZ. CHECKED BY RDN
 DATE 03/24/06